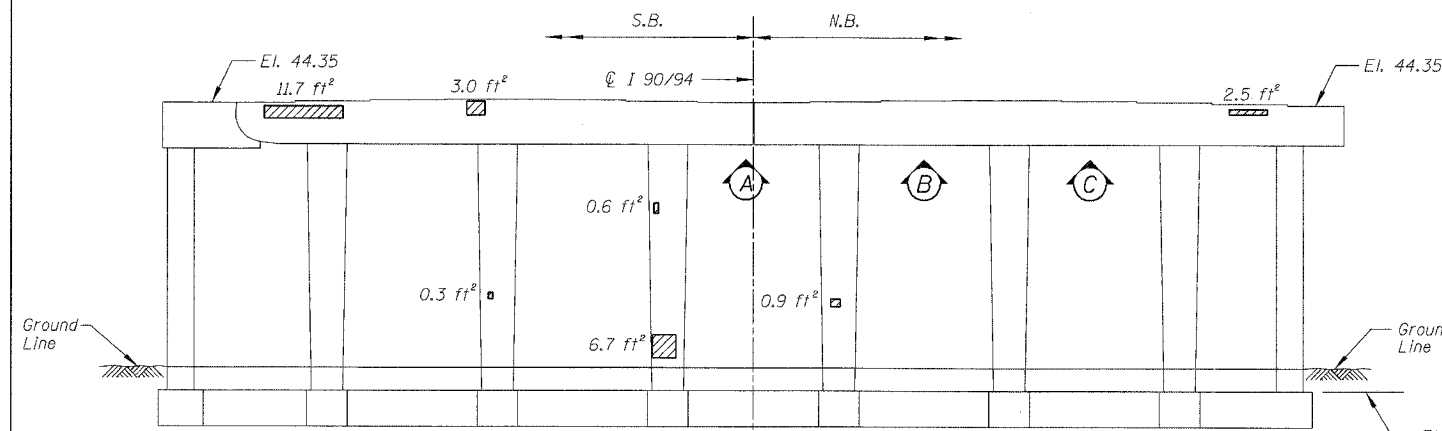
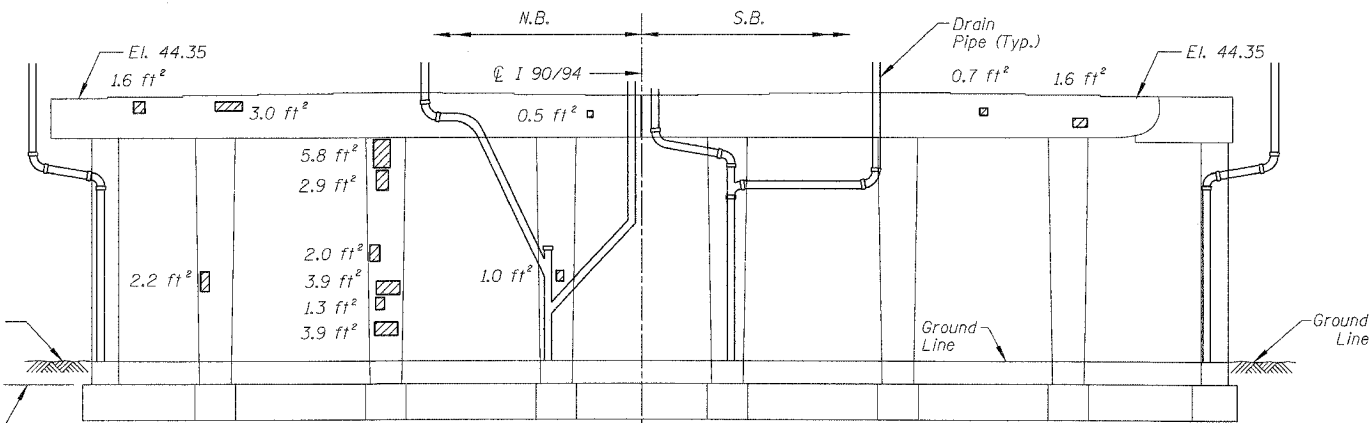


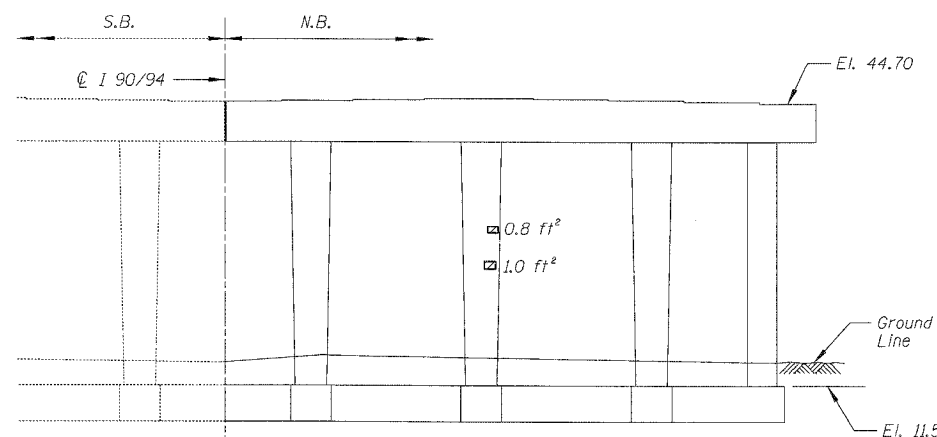
F.A.I.	SECTION	COUNTY	TOTAL SHEETS	SHEET NO.
94/90	2005-086 I	COOK	228	67
STA.		TO STA.		
FED. ROAD DIST. NO.		ILLINOIS	FED. AID PROJECT	
60B07				



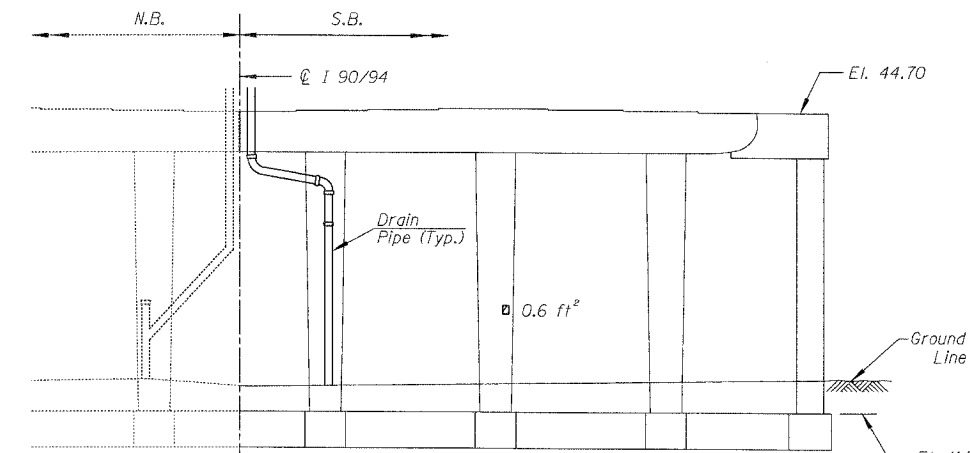
PIER 7 - SOUTH ELEVATION
(Looking North)



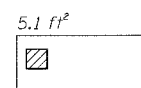
PIER 7 - NORTH ELEVATION
(Looking South)



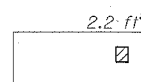
PIER 8 - SOUTH ELEVATION
(Looking North)



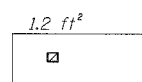
PIER 8 - NORTH ELEVATION
(Looking South)



PIER 7 - VIEW A
Looking up at bottom of cap



PIER 7 - VIEW B
Looking up at bottom of cap



PIER 7 - VIEW C
Looking up at bottom of cap

BILL OF MATERIAL

ITEM	UNIT	QUANTITY
Structural Repair of Concrete (Depth equal to or less than 5")	SQ. FT.	67.0

REVISIONS	
NAME	DATE

ILLINOIS DEPARTMENT OF TRANSPORTATION
F.A.I. 94/90 (DAN RYAN EXPRESSWAY)
DAN RYAN ELEVATED BRIDGE
BEARING REPLACEMENT & STEEL REPAIR
CONCRETE PIER REPAIRS
SN 016-1111, PIERS 7&8

SCALE: NTS
DATE: 5/18/2007

DRAWN BY: LAM
CHECKED BY: BLU

BOWMAN, BARRETT & ASSOCIATES INC.
CONSULTING ENGINEERS
Chicago, Illinois
312.228.0100
www.bbda-inc.com

For Notes and Legend See Sheet 6

4:59:32 PM 5/24/2007