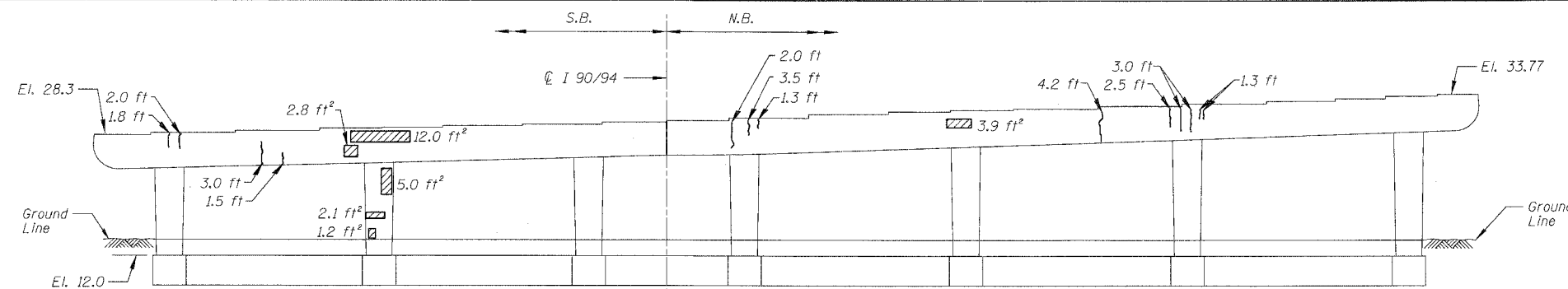


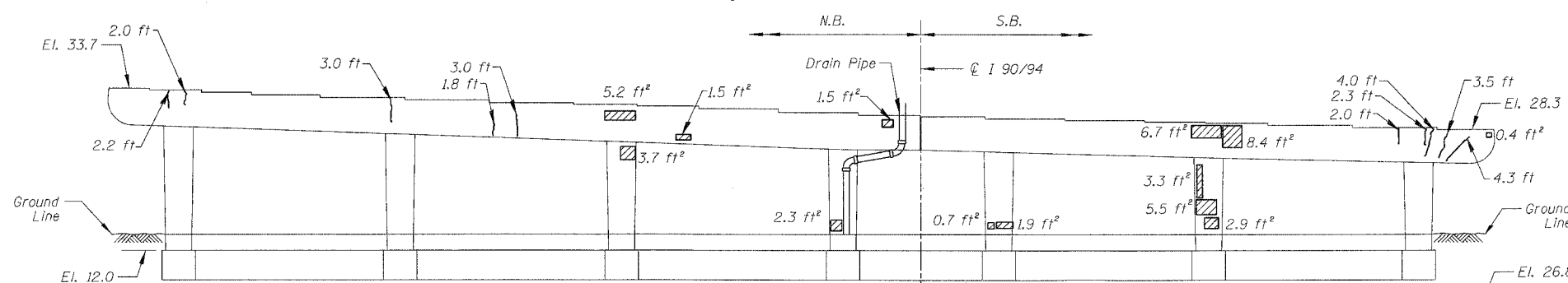
F.A.I.	SECTION	COUNTY	TOTAL SHEETS	SHEET NO.
94/90	2005-086 I	COOK	228	73
STA.		TO STA.		
FED. ROAD DIST. NO.		ILLINOIS FED. AID PROJECT		
60B07				

**BILL OF MATERIAL**

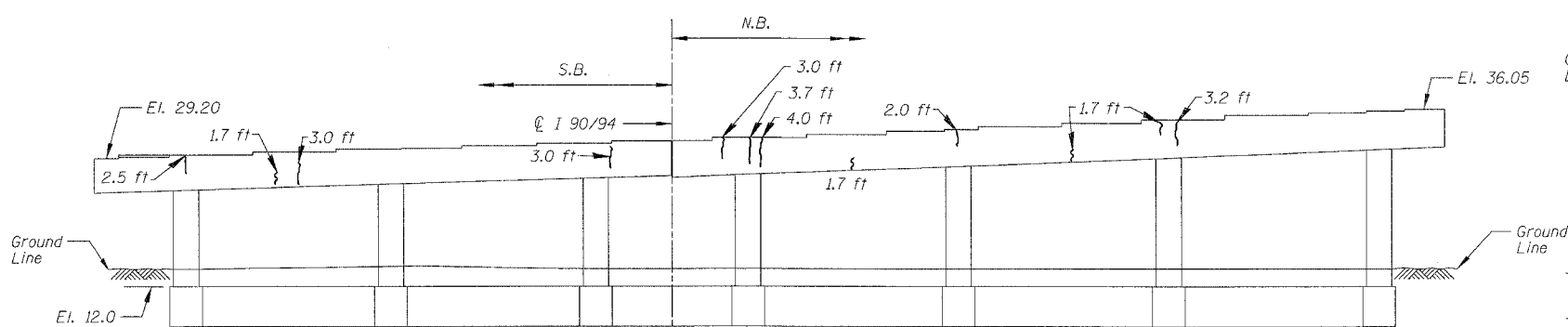
ITEM	UNIT	QUANTITY
Structural Repair of Concrete (Depth equal to or less than 5")	SQ. FT.	70.6
Epoxy Crack Injection	FOOT	155.9



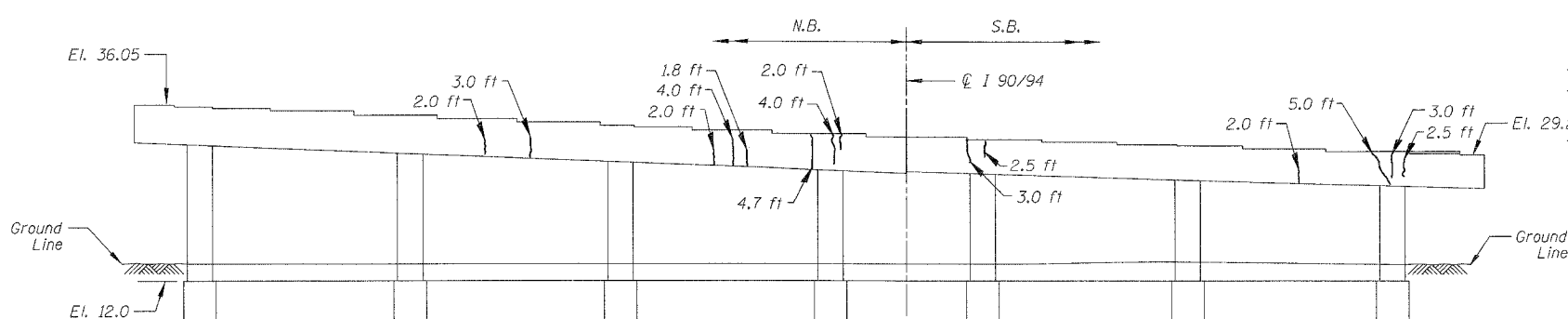
**PIER 25 - SOUTH ELEVATION**  
(Looking North)



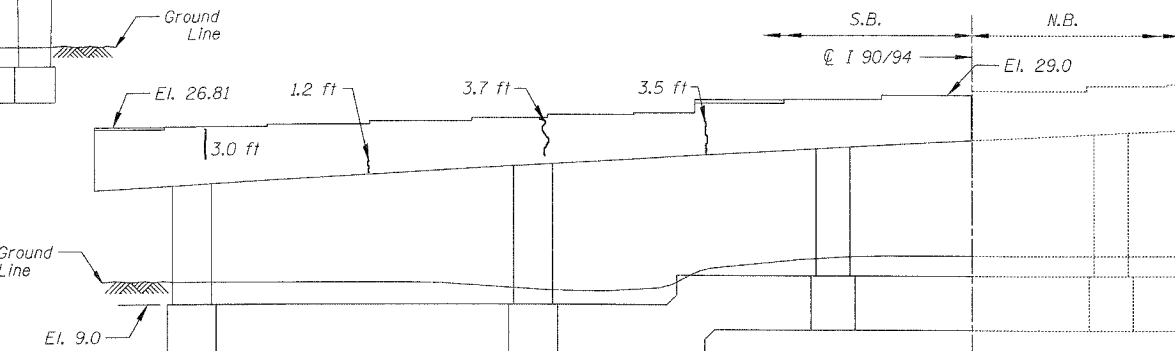
**PIER 25 - NORTH ELEVATION**  
(Looking South)



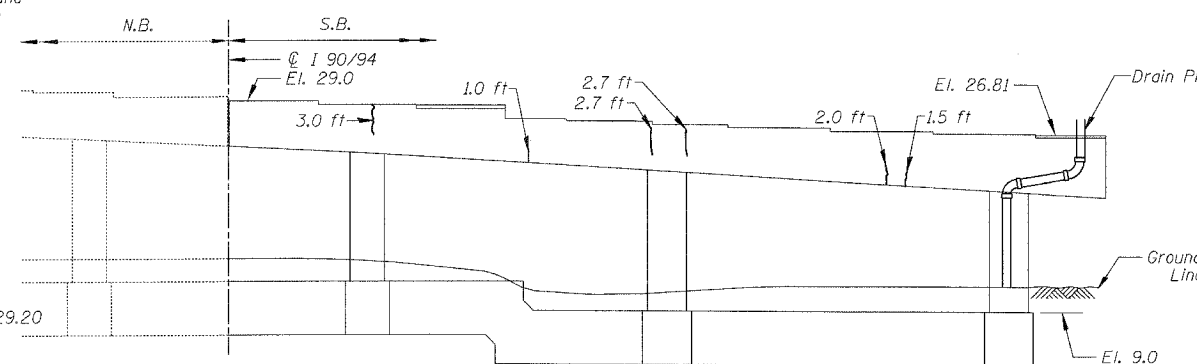
**PIER 26 - SOUTH ELEVATION**  
(Looking North)



**PIER 26 - NORTH ELEVATION**  
(Looking South)



**PIER 27 - SOUTH ELEVATION**  
(Looking North)



**PIER 27 - NORTH ELEVATION**  
(Looking South)

BOWMAN, BARRETT & ASSOCIATES INC.  
CONSULTING ENGINEERS  
Chicago, Illinois  
312.228.0100  
www.bbainc.com

For Notes and Legend See Sheet 6

REVISIONS		ILLINOIS DEPARTMENT OF TRANSPORTATION F.A.I. 94/90 (DAN RYAN EXPRESSWAY) DAN RYAN ELEVATED BRIDGE BEARING REPLACEMENT & STEEL REPAIR CONCRETE PIER REPAIRS SN 016-1112, PIERS 25,26,27
NAME	DATE	

SCALE: NTS  
DATE: 5/18/2007  
DRAWN BY: LAM  
CHECKED BY: BLU

4658.39 PM 5/24/2007