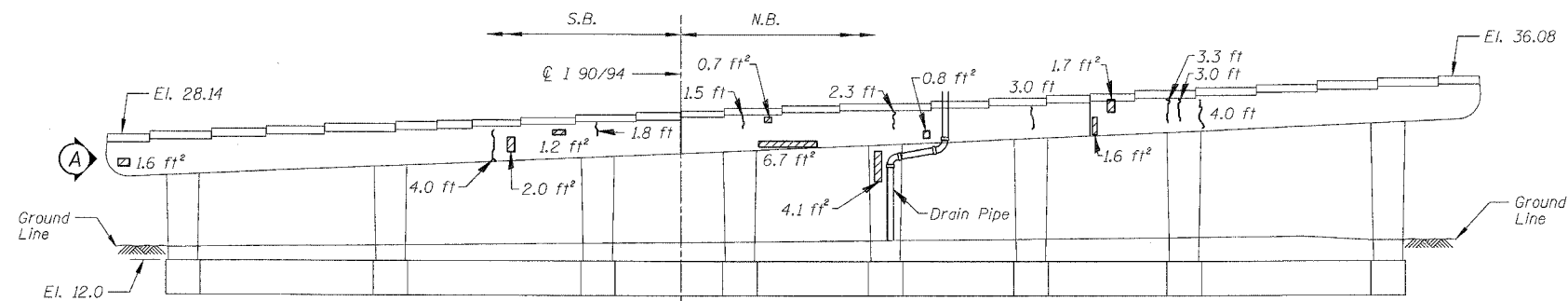
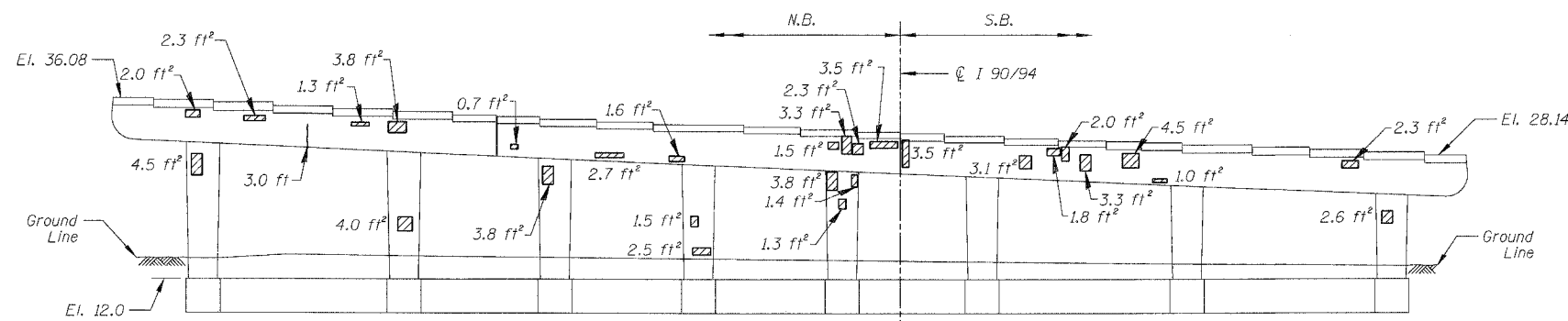


F.A.I.	SECTION	COUNTY	TOTAL SHEETS	SHEET NO.
94/90	2005-086 I	COOK	228	74
STA.	TO STA.			
FED. ROAD DIST. NO.	ILLINOIS	FED. AID PROJECT		

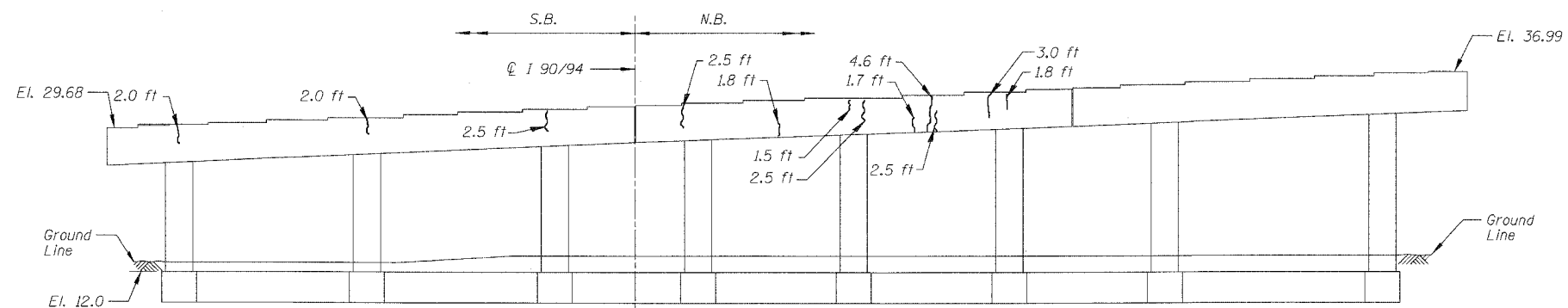
60B07



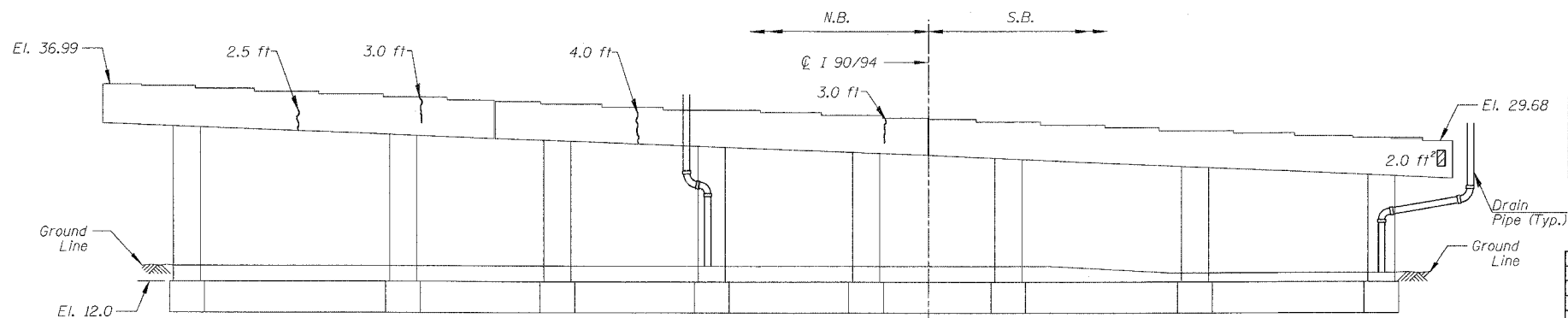
PIER 28 - SOUTH ELEVATION
(Looking North)



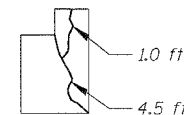
PIER 28 - NORTH ELEVATION
(Looking South)



PIER 29 - SOUTH ELEVATION
(Looking North)



PIER 29 - NORTH ELEVATION
(Looking South)



PIER 28 - VIEW A
Looking east at end of cap

BILL OF MATERIAL

ITEM	UNIT	QUANTITY
Structural Repair of Concrete (Depth equal to or less than 5")	SQ. FT.	94.3
Epoxy Crack Injection	FOOT	72.3

REVISIONS	
NAME	DATE

ILLINOIS DEPARTMENT OF TRANSPORTATION
F.A.I. 94/90 (DAN RYAN EXPRESSWAY)
DAN RYAN ELEVATED BRIDGE
BEARING REPLACEMENT & STEEL REPAIR
CONCRETE PIER REPAIRS
SN 016-1112, PIERS 28&29

SCALE: NTS
DATE: 5/18/2007

DRAWN BY: LAM
CHECKED BY: BLU

BOWMAN, BARRETT & ASSOCIATES INC.
CONSULTING ENGINEERS
Chicago, Illinois
312.228.0100
www.bbainc.com

For Notes and Legend See Sheet 6

4/25/04 PM 5/24/2007