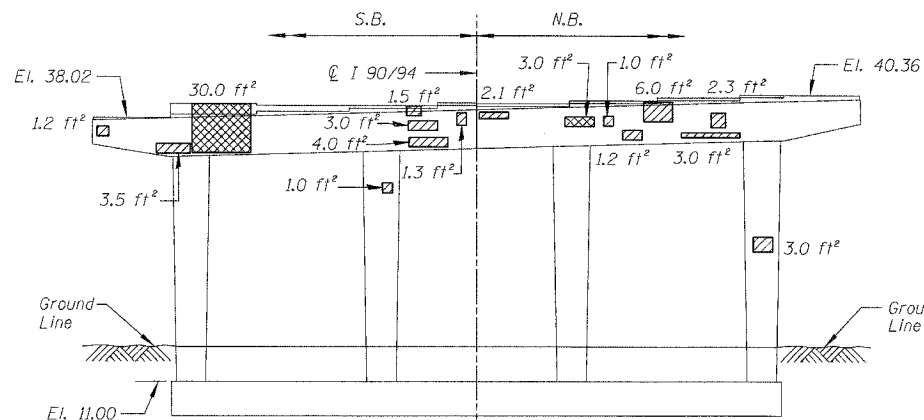
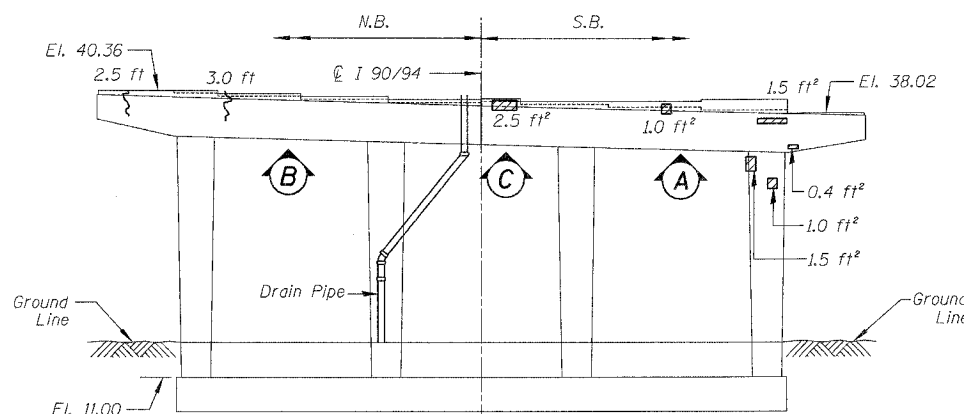


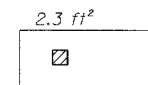
F.A.I.	SECTION	COUNTY	TOTAL SHEETS	SHEET NO.
94/90	2005-086 I	COOK	228	93
STA.		TO STA.		
FED. ROAD DIST. NO.		ILLINOIS FED. AID PROJECT		
60B07				



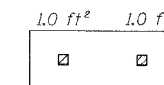
PIER 11 - SOUTH ELEVATION
(Looking North)



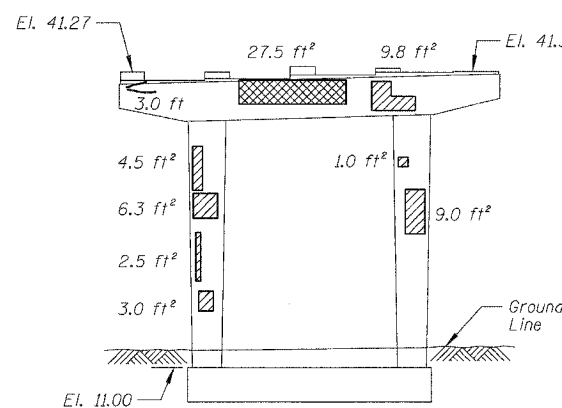
PIER 11 - NORTH ELEVATION
(Looking South)



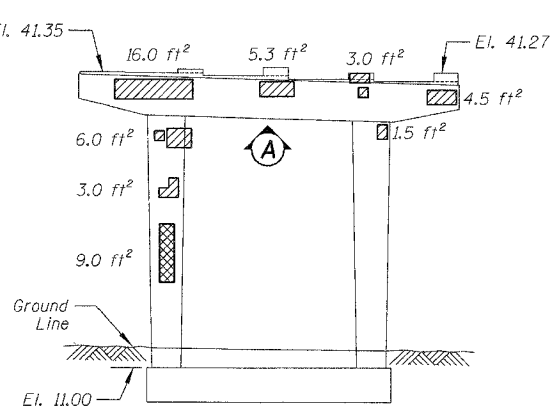
PIER 11 - VIEW A
Looking up at Bottom of Cap



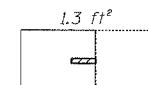
PIER 11 - VIEW B
Looking up at Bottom of Cap



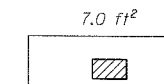
PIER 12 - SOUTH ELEVATION
(Looking North)



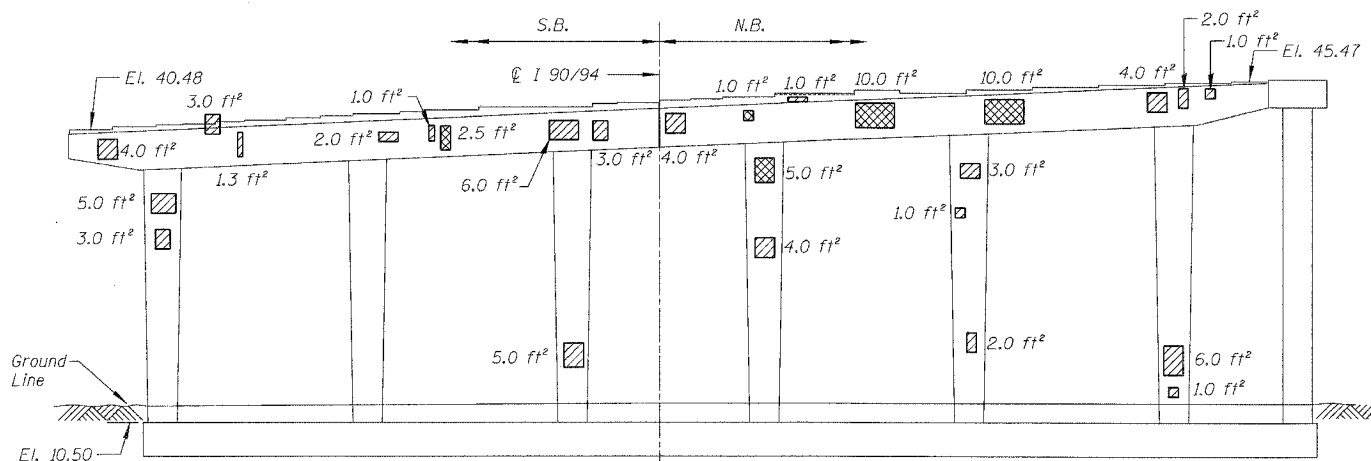
PIER 12 - NORTH ELEVATION
(Looking South)



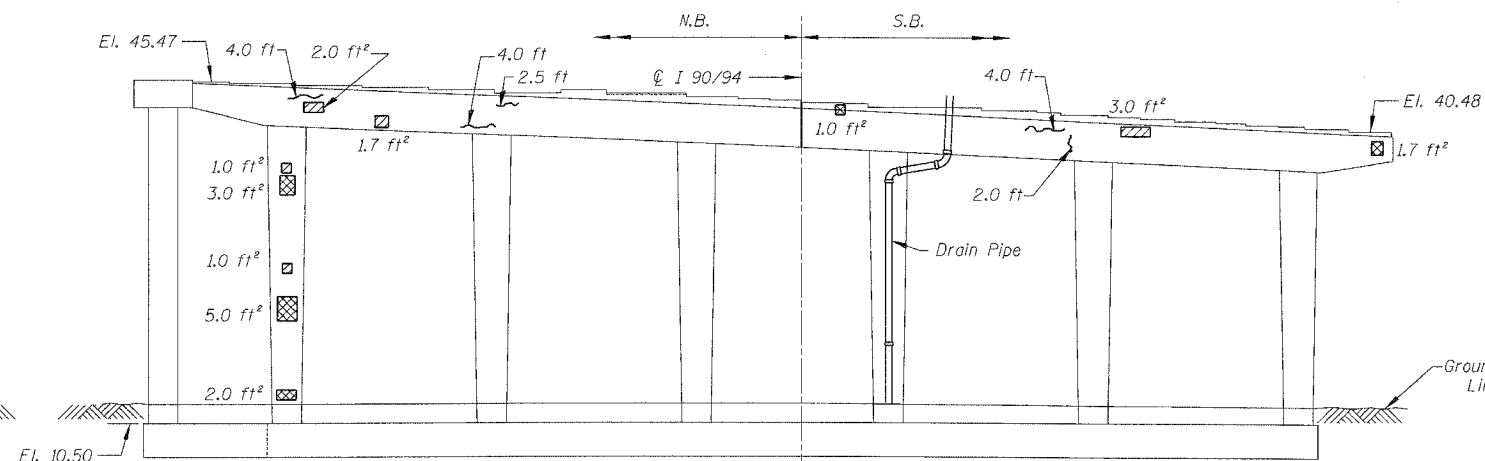
PIER 11 - VIEW C
Looking up at Bottom of Cap



PIER 12 - VIEW A
Looking up at Bottom of Cap



PIER 15 - SOUTH ELEVATION
(Looking North)



PIER 15 - NORTH ELEVATION
(Looking South)

BILL OF MATERIAL

ITEM	UNIT	QUANTITY
Structural Repair of Concrete (Depth equal to or less than 5")	SQ. FT.	201.0
Structural Repair of Concrete (Depth greater than 5")	SQ. FT.	110.7
Epoxy Crack Injection	FOOT	27.5

REVISIONS	
NAME	DATE

ILLINOIS DEPARTMENT OF TRANSPORTATION
F.A.I. 94/90 (DAN RYAN EXPRESSWAY)
DAN RYAN ELEVATED BRIDGE
BEARING REPLACEMENT & STEEL REPAIR
CONCRETE PIER REPAIRS
SN 016-1117, PIERS 11,12,15
SCALE: NTS
DATE: 5/18/2007
DRAWN BY: LAM
CHECKED BY: BLU

BOWMAN, BARRETT & ASSOCIATES INC.
CONSULTING ENGINEERS
Chicago, Illinois
312.228.0100
www.bbainc.com

For Notes and Legend See Sheet 6

I:\660\cadd\BRIDGE\2\ASHEETS\660_214_016-117-PROJ.dwg 5/24/2007 5:05:06 PM