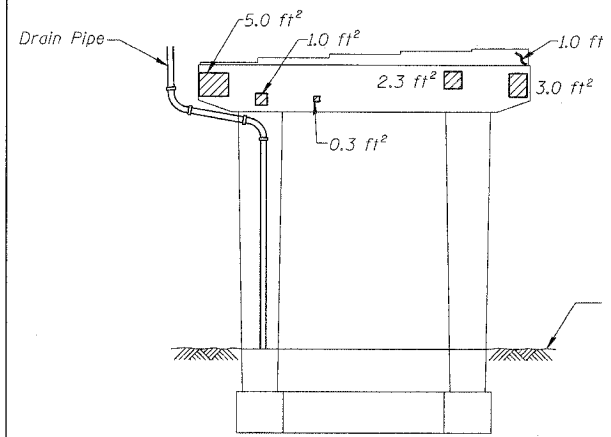
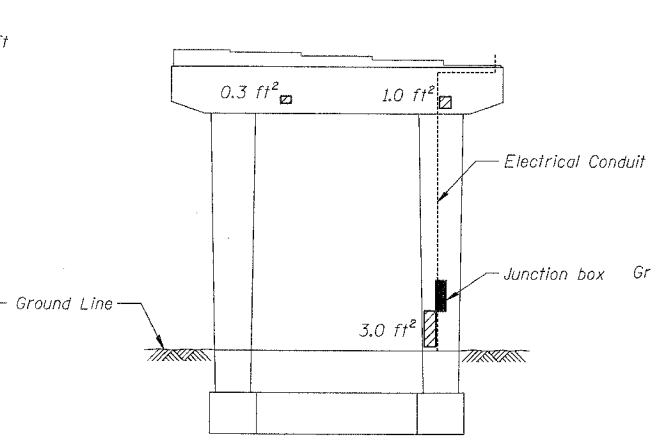


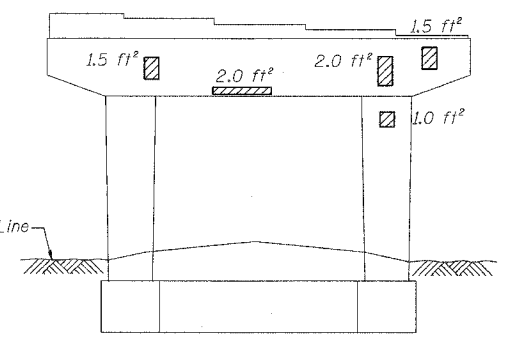
F.A.I.	SECTION	COUNTY	TOTAL SHEETS	SHEET NO.
94/90	2005-086 I	COOK	228	101
STA.	TO STA.			
FED. ROAD DIST. NO.	ILLINOIS	FED. AID PROJECT		
60B07				



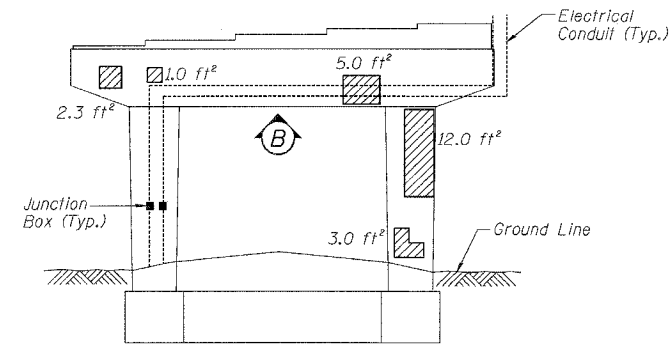
**PIER 33 - SOUTH ELEVATION**  
(Looking North)



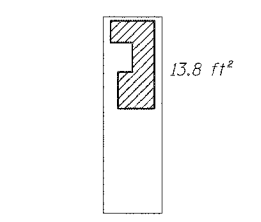
**PIER 33 - NORTH ELEVATION**  
(Looking South)



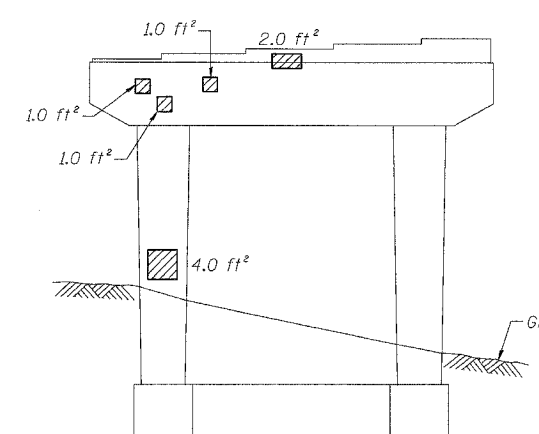
**PIER 37 - SOUTH ELEVATION**  
(Looking North)



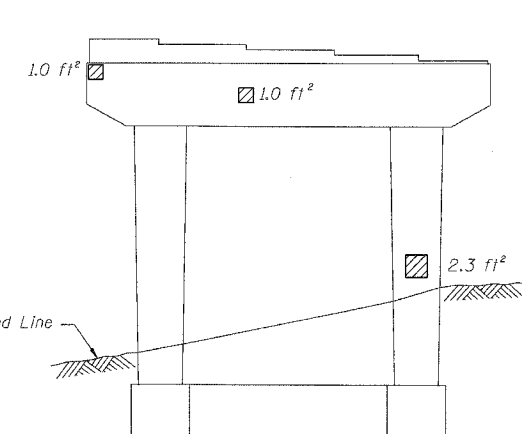
**PIER 37 - NORTH ELEVATION**  
(Looking South)



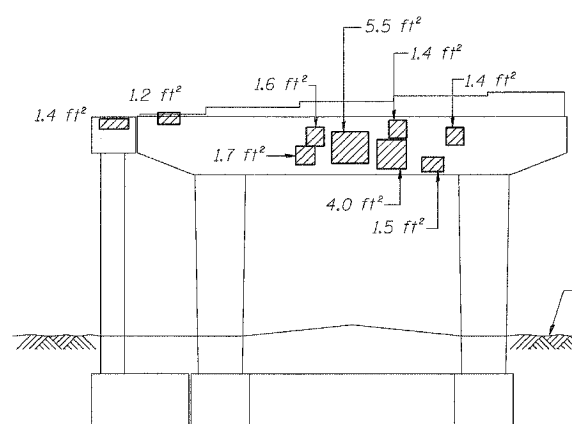
**PIER 35 - VIEW A**  
Looking East at side of column



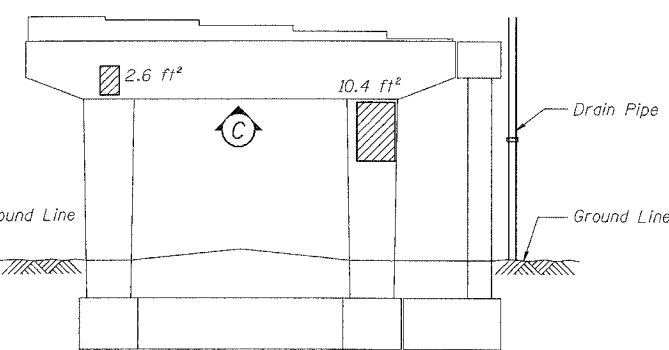
**PIER 34 - SOUTH ELEVATION**  
(Looking North)



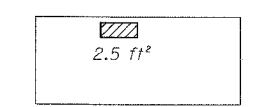
**PIER 34 - NORTH ELEVATION**  
(Looking South)



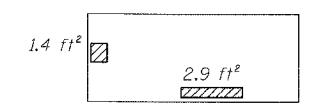
**PIER 38 - SOUTH ELEVATION**  
(Looking North)



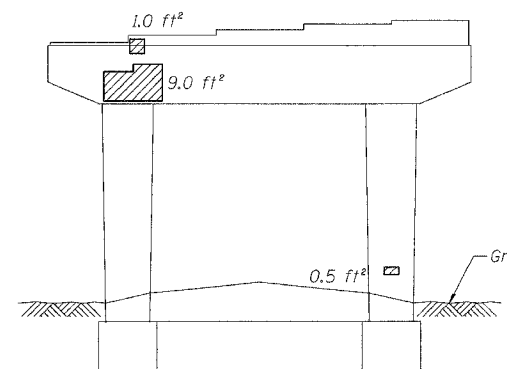
**PIER 38 - NORTH ELEVATION**  
(Looking South)



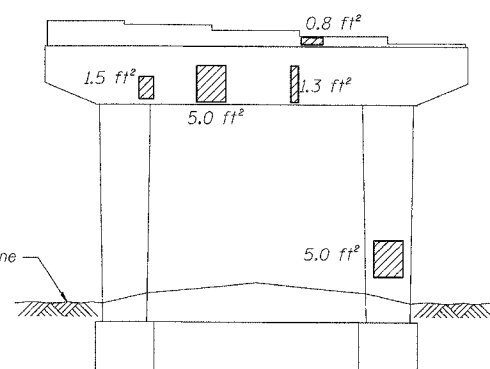
**PIER 37 - VIEW B**  
Looking up at bottom of cap



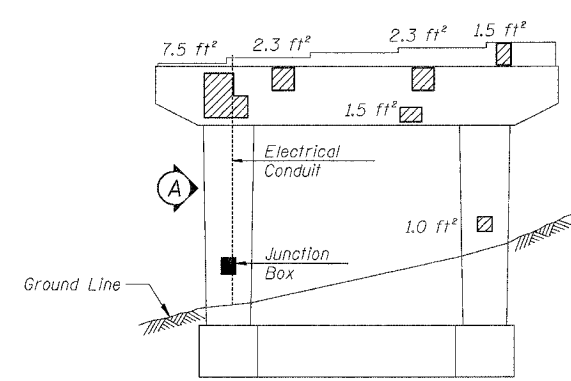
**PIER 38 - VIEW C**  
Looking up at bottom of cap



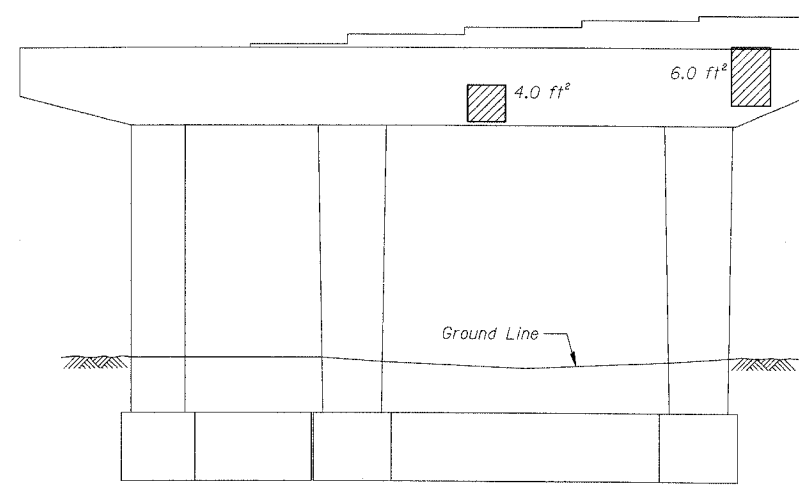
**PIER 36 - SOUTH ELEVATION**  
(Looking North)



**PIER 36 - NORTH ELEVATION**  
(Looking South)



**PIER 35 - SOUTH ELEVATION**  
(Looking North)



**PIER 40 - SOUTH ELEVATION**  
(Looking North)

**BILL OF MATERIAL**

ITEM	UNIT	QUANTITY
Structural Repair of Concrete (Depth equal to or less than 5")	SQ. FT.	164.0
Epoxy Crack Injection	FOOT	1.0

REVISIONS	
NAME	DATE

ILLINOIS DEPARTMENT OF TRANSPORTATION  
 F.A.I. 94/90 (DAN RYAN EXPRESSWAY)  
 DAN RYAN ELEVATED BRIDGE  
 BEARING REPLACEMENT & STEEL REPAIR  
 CONCRETE PIER REPAIRS  
 SN 016-1059, PIERS 33-38,40  
 SCALE: NTS  
 DATE: 5/18/2007  
 DRAWN BY: LAM  
 CHECKED BY: BLU

BOWMAN, BARRETT & ASSOCIATES INC.  
 CONSULTING ENGINEERS  
 Chicago, Illinois  
 312.228.0100  
 www.bbancinc.com

For Notes and Legend See Sheet 6

5/24/2007 5:00:59 PM