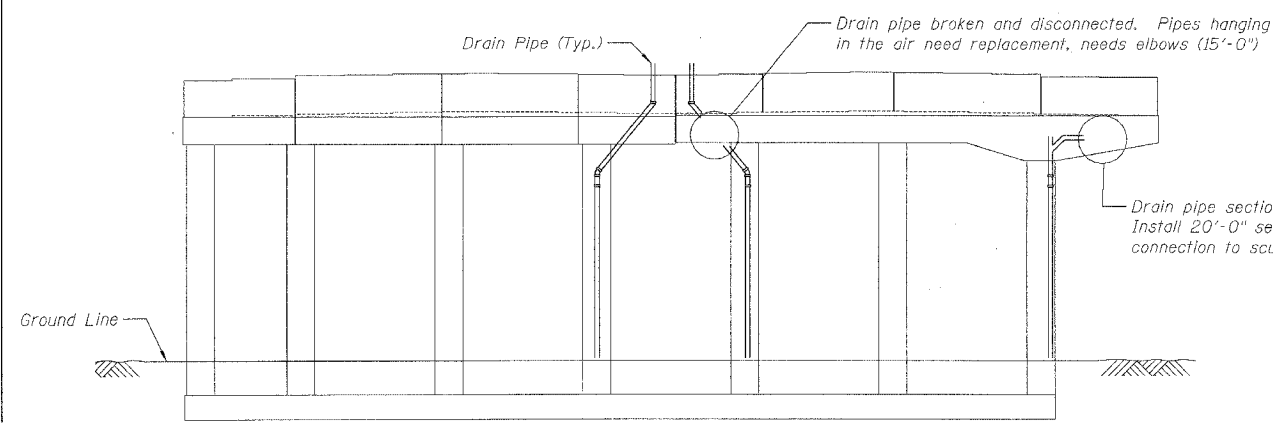
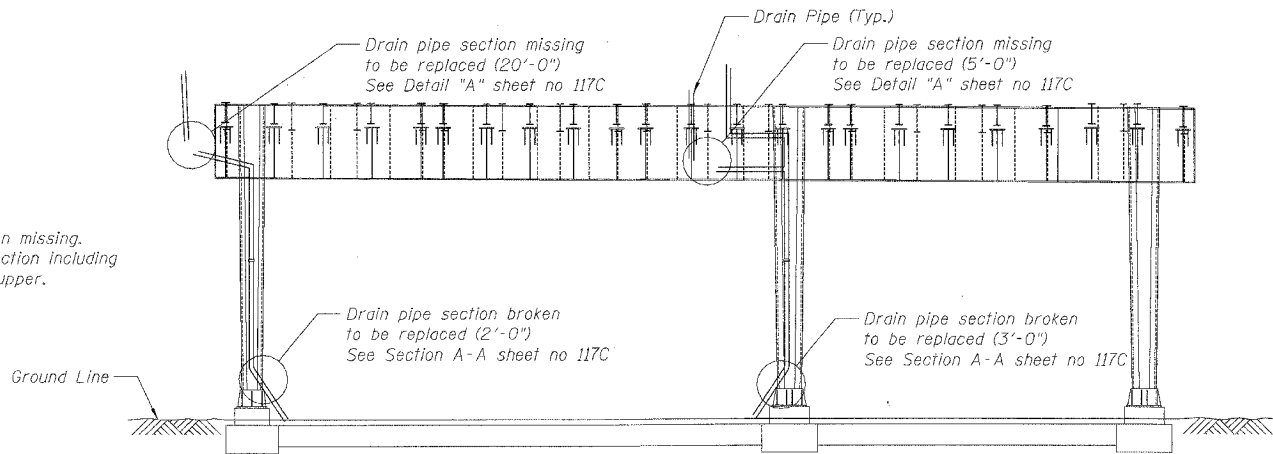


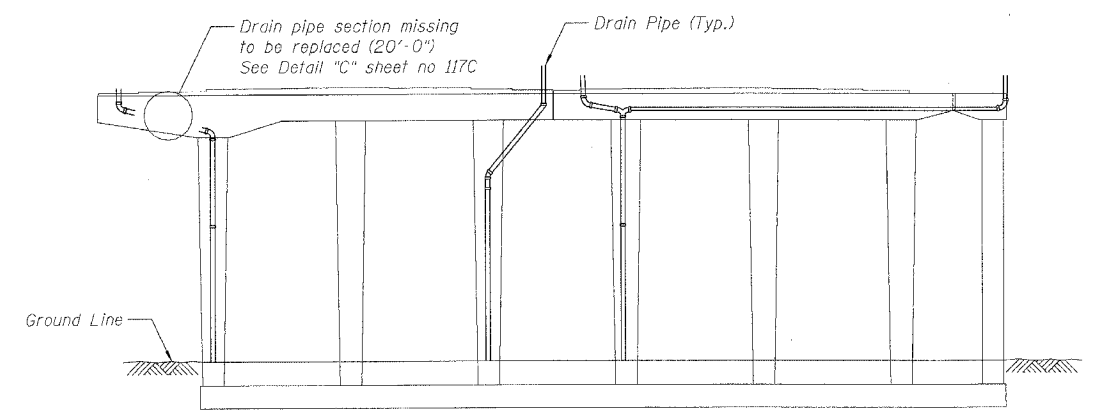
F.A.I.	SECTION	COUNTY	TOTAL SHEETS	SHEET NO.
94/90	2005-086 I	COOK	228	116
STA.	TO STA.			
FED. ROAD DIST. NO.	ILLINOIS	FED. AID PROJECT		
60B07				



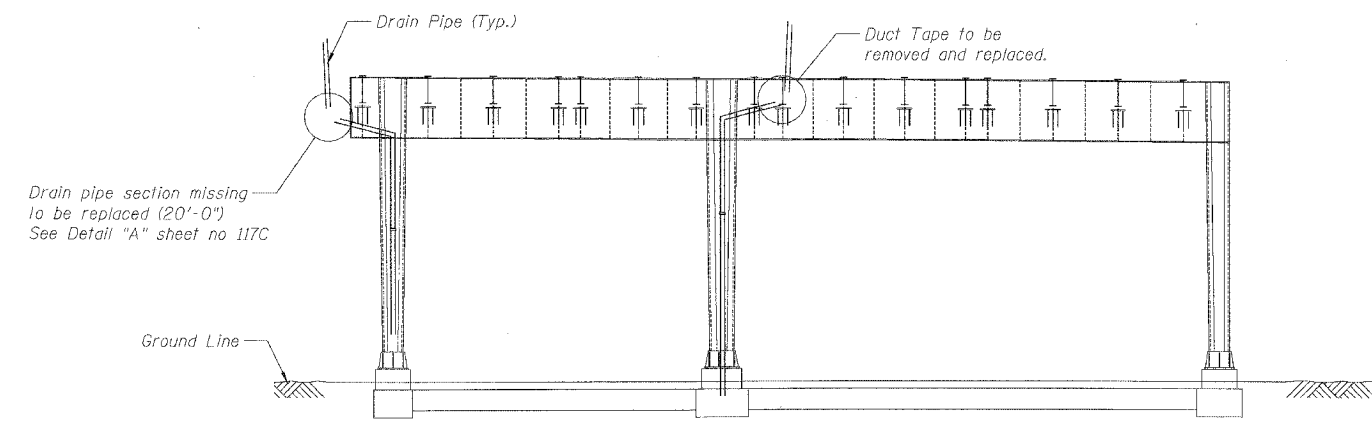
SN 016-1117 - PIER 26 - SOUTH ELEVATION
(Looking North)



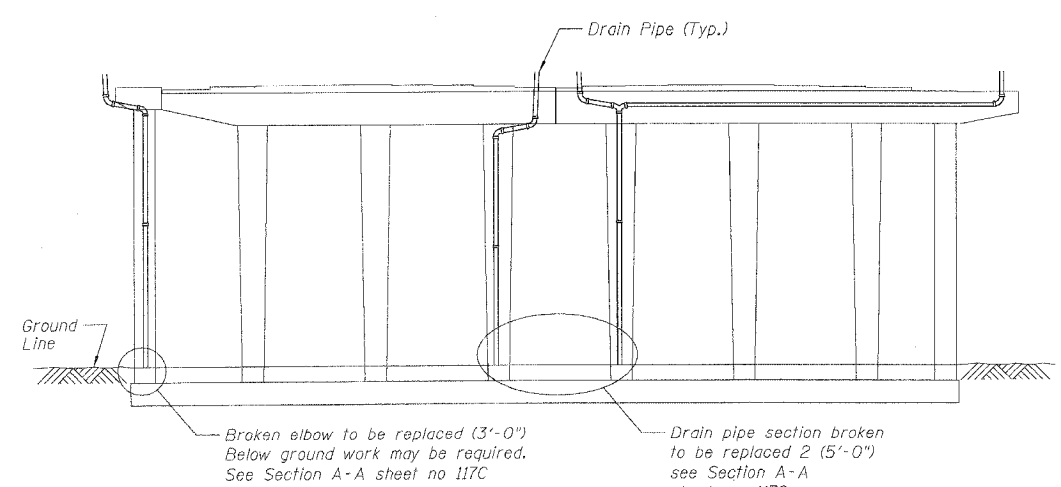
SN 016-1117 - PIER 23 - NORTH ELEVATION
(Looking South)



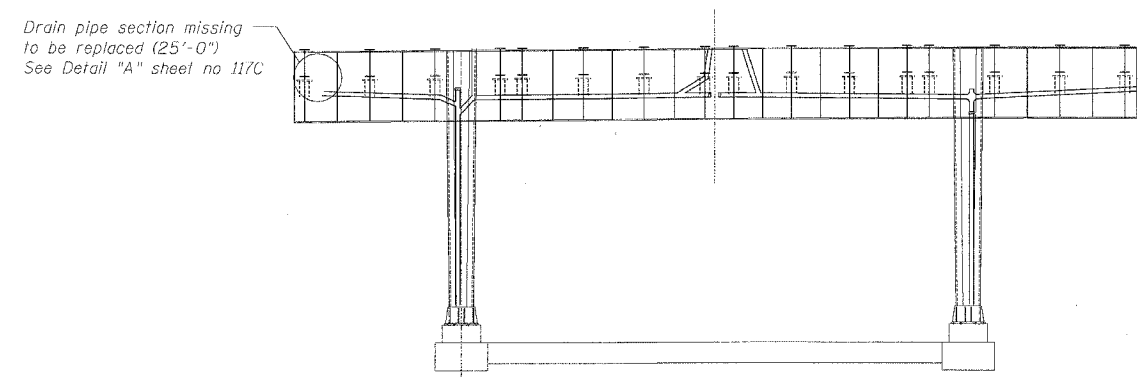
SN 016-1117 - PIER 25 - NORTH ELEVATION
(Looking South)



SN 016-1117 - PIER 22 - NORTH ELEVATION
(Looking South)



SN 016-1117 - PIER 24 - NORTH ELEVATION
(Looking South)



SN 016-1117 - PIER 21 - NORTH ELEVATION
(Looking South)

BILL OF MATERIAL

ITEM DESCRIPTION	UNIT	QUANTITY
		SN 016-1117
Bridge Drainage System Repairs	FOOT	143

- Notes:
- See Drainage Repair Notes on sheet 111
 - For pier locations see General Plan & Elevation Sheets.

REVISIONS	
NAME	DATE

ILLINOIS DEPARTMENT OF TRANSPORTATION
F.A.I. 94/90 (DAN RYAN EXPRESSWAY)
DAN RYAN ELEVATED BRIDGE
BEARING REPLACEMENT & STEEL REPAIR
DRAINAGE REPAIRS
SN 016-1117

SCALE: NTS
DATE: 3/7/2008
DRAWN BY: LAM
CHECKED BY: BLU

BOWMAN, BARRETT & ASSOCIATES INC.
CONSULTING ENGINEERS
Chicago, Illinois
312.228.0100
www.bbandainc.com



3/21/2008 8:41:35 AM