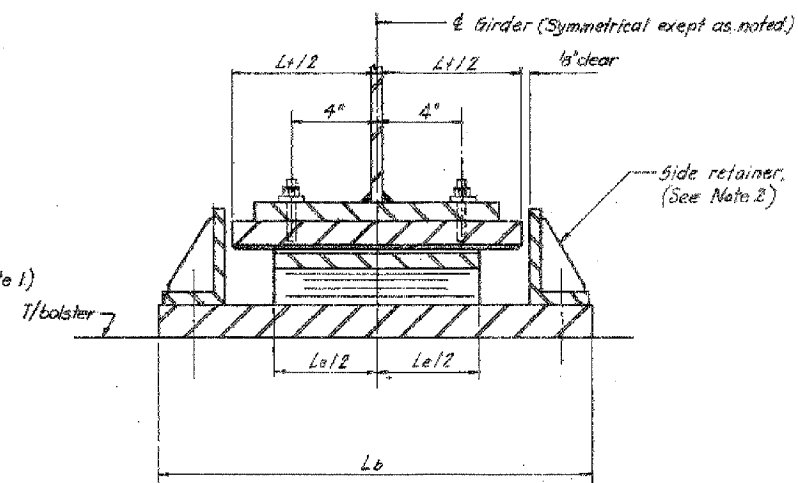


TYPICAL ELEVATION



SECTION A-A

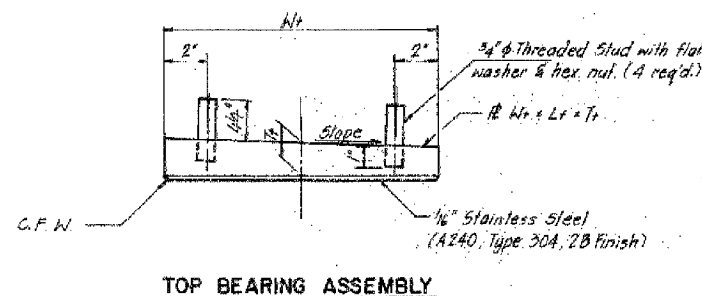
TYPE II TFE ELASTOMERIC EXPANSION BEARING

TYPE II ELASTOMERIC EXPANSION BEARING SCHEDULE

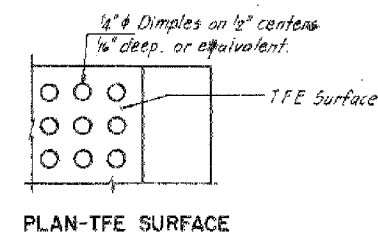
STRUCTURE NO.	PIER LOCATION	GIRDER NO.	We	Le	SERIES	TOP PLATE			BOTTOM PLATE			NO. REQ'D.	H _E	REMARKS
						T ₁	W ₁	L ₁	SLOPE	T _B	W _B			
016-1116	1	GN-2 thru GN-4	20	30	2	42	22	32	0.0	1	21	402	3	- N, B, ●

Remarks:

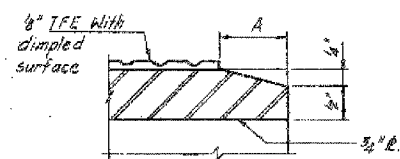
- B - Bolster required - See bolster details.
- N - New bearings for roadway widening.
- - See bolster schedule for H_E dimension.



TOP BEARING ASSEMBLY



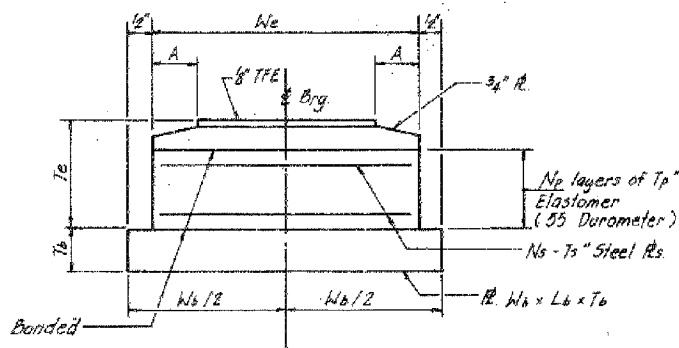
PLAN-TFE SURFACE



SECTION THRU TFE

Note: The 1/4" TFE sheet shall be bonded directly to the top steel plate with a two-component, medium viscosity epoxy resin, conforming to the requirements of the Federal Specification MMM-A-134, Type I. The bond agent shall be applied on the full area of the contact surface.

Bonding of 1/4" TFE sheet during vulcanizing process will be permitted provided the process and method of adjusting assembly height is approved by the Engineer.



BOTTOM BEARING ASSEMBLY

We	6"	7"	9"	10"	11"	12"
A	1"	1"	1 1/2"	1 1/2"	1 1/2"	1 1/2"

NOTES:

- Height of bearing assembly, H_E, includes top plate, elastomeric assy. and bottom plate. H_E does not include shim plate.
- Side retainer details for bearings located on top of pier are shown on this sheet. For bearings requiring a bolster, see bolster details for side retainer details.
- See Shim thickness schedule for required shims.

TABLE OF DIMENSIONS - TYPE II ELASTOMERIC EXPANSION BEARINGS

We	Le	Series	T _p	N _p	T _s	N _s	T _s
20"	30"	2	3/4"	4"	1/4"	3"	1/4"

- T_p - denotes thickness of each elastomeric layer
- N_p - denotes number of elastomeric layers
- T_s - denotes thickness of each steel plate
- N_s - denotes number of steel plates

ALL MATERIALS SHOWN ON THIS SHEET ARE FURNISHED UNDER A SEPARATE SUPPLY CONTRACT (SECTION 1988-004 I), UNLESS NOTED OTHERWISE.

SHEET BRG 32 OF 51

STATE OF ILLINOIS	
DEPARTMENT OF TRANSPORTATION	
F.A.I. ROUTE 94/94 (DAN RYAN EXPRESSWAY)	
SECTION 1988-004 I - COOK COUNTY	
ILR MAINLINE RECONSTRUCTION	
BEARINGS - STRUCTURE NO. 016-1116	
TYPE II ELASTOMERIC EXPANSION BEARING	
Scale: NONE	Drawn By: A.C.
Date: AUGUST, 1998	Checked By: A.C.B.
FARRINGTON ENGINEERS INC.	
Chicago, Illinois	

REVISIONS	
NAME	DATE

REVISIONS	
NAME	DATE

ILLINOIS DEPARTMENT OF TRANSPORTATION
 F.A.I. 94/90 (DAN RYAN EXPRESSWAY)
 DAN RYAN ELEVATED BRIDGE
 BEARING REPLACEMENT & STEEL REPAIR
 EXISTING PLAN INFORMATION
 SN 016-1116

SCALE: NTS
 DATE: 5/18/2007
 DRAWN BY: LAM
 CHECKED BY: BLU

FOR INFORMATION ONLY

