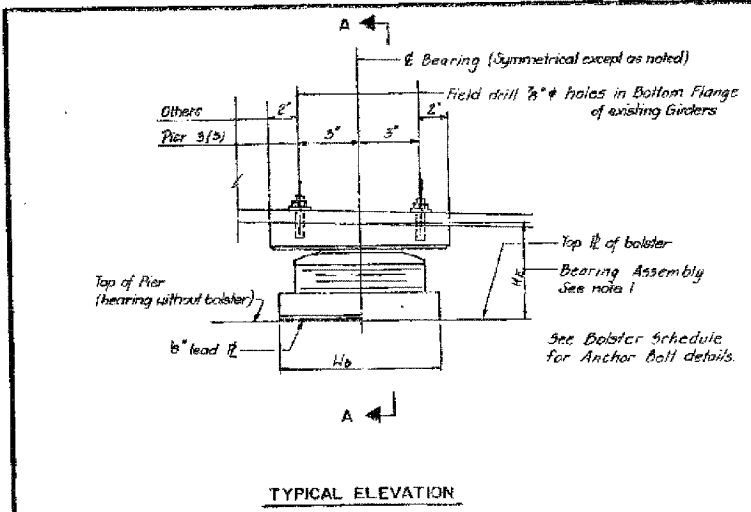
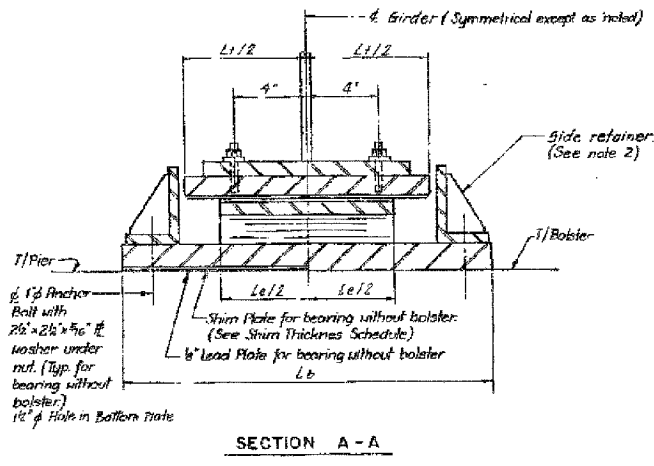


60B07

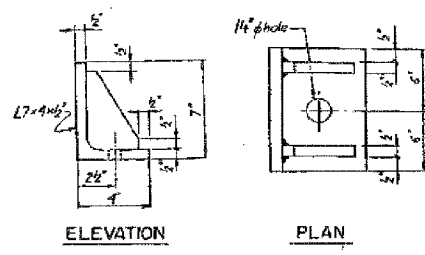
PROJECT NO.	SECTION	COUNTY	TOTAL SHEETS	SHEET NO.
90/94	W	COOK	93	38
STA.	TO STA.			
FED. DIST. NO.	ILLINOIS	FED. AID PROJECT		



TYPICAL ELEVATION



SECTION A - A



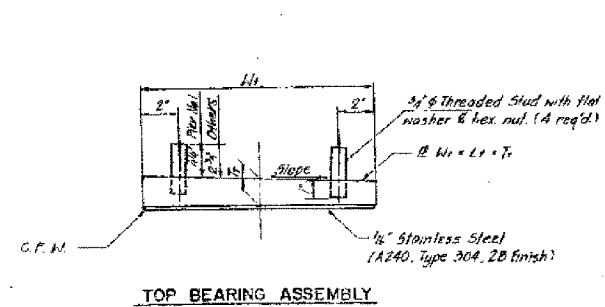
ELEVATION PLAN
SIDE RETAINER DETAILS
(Bearings without bolsters)

TABLE OF DIMENSIONS - TYPE II ELASTOMERIC EXPANSION BEARINGS

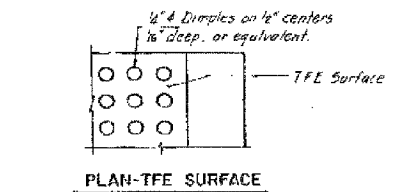
We	Le	Series	Tp	Np	Ts	Ns	Te
10	14	a	7/8	5	5/8	7	3 9/16
20	30	q	3/4	4	1/2	5	4 3/8

Tp - denotes thickness of each elastomeric layer
Np - denotes number of elastomeric layers
Ts - denotes thickness of each steel plate
Ns - denotes number of steel plates

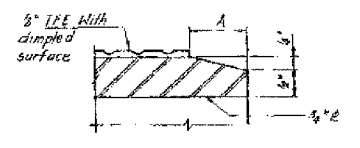
TYPE II TFE ELASTOMERIC EXPANSION BEARING



TOP BEARING ASSEMBLY



PLAN-TFE SURFACE



SECTION THRU TFE

Note: The 6\"/>

Banding of 1/2\"/>

We	6"	7"	9"	10"	11"	12"	20"
A	1"	1"	1 1/2"	1 1/2"	1 1/2"	1 1/2"	1 1/2"

Notes:

- Height of bearing assembly, He, includes top plate, elastomeric assembly, bottom plate, and 1/2\"/>
- Side retainer details for bearings located on top of pier are shown on this sheet. For bearings requiring a bolster. See bolster details for side retainer details.
- For bearings without bolster, the side retainer shall be tack welded as shown after the girder and bearing assembly have been set into their final position.

TYPE II ELASTOMERIC EXPANSION BEARING SCHEDULE

STRUCTURE	PIER LOCATION	GIRDER	We	Le	SERIES	TOP PLATE			BOTTOM PLATE			NO. REQUIRED	He	REMARKS
						Tp	Wt	Lt	SLOPE %	Ts	Ws			
016 - 1116	Pier 1	GS-1	20	30		4 1/2	22	32	0.0	1	21	40 1/2	1	⊗ B, N
016 - 1117	Pier 26(S)	GS-1	10	14	a	2	11	16	1.2	1	11	29 1/2	1	⊗ B, N

Remarks: B - Bolster required, see Bolster Details.
C - Special Detail required, see Clipping Schedule.
N - New bearings, roadway widening.

⊗ - See bolster schedule for He dimension.

ALL MATERIALS SHOWN ON THIS SHEET ARE FURNISHED UNDER A SEPARATE SUPPLY CONTRACT (SECTION 1985-0831), UNLESS NOTED OTHERWISE.

SHEET 0635 OF 48

STATE OF ILLINOIS
DEPARTMENT OF TRANSPORTATION
EAL ROUTE 90/94 (DAN RYAN EXPRESSWAY)
SECTION 1985-082 R - COOK COUNTY
S.B. MAINLINE RECONSTRUCTION
BEARINGS - STRUCTURE NOS. 016-1116 AND 1117
TYPE II ELASTOMERIC EXPANSION BEARINGS

Scale: None
Date: AUGUST 14, 1987
Checked By: U.B.

Drawn By: D.C.
ENVIRODYNE ENGINEERS INC.
Chicago, Illinois

REVISIONS	
Name	Date

REVISIONS	
NAME	DATE

ILLINOIS DEPARTMENT OF TRANSPORTATION
F.A.I. 94/90 (DAN RYAN EXPRESSWAY)
DAN RYAN ELEVATED BRIDGE
BEARING REPLACEMENT & STEEL REPAIR
EXISTING PLAN INFORMATION
SN 016-1116 & SN 016-1117
SCALE: NTS
DATE: 5/18/2007
DRAWN BY: LAM
CHECKED BY: BLU

FOR INFORMATION ONLY