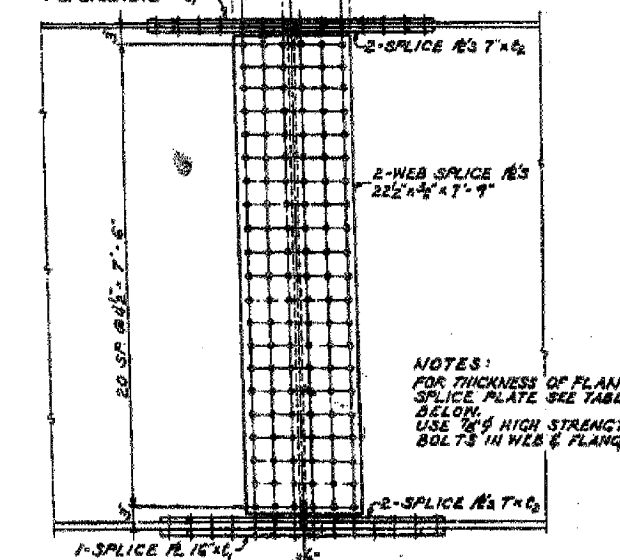
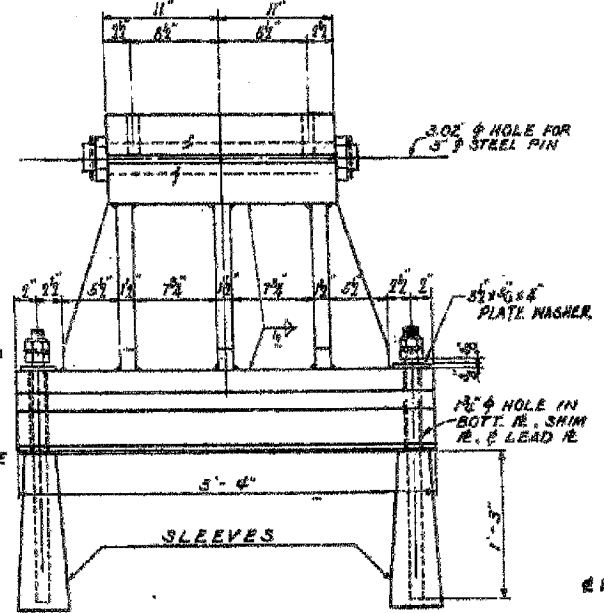
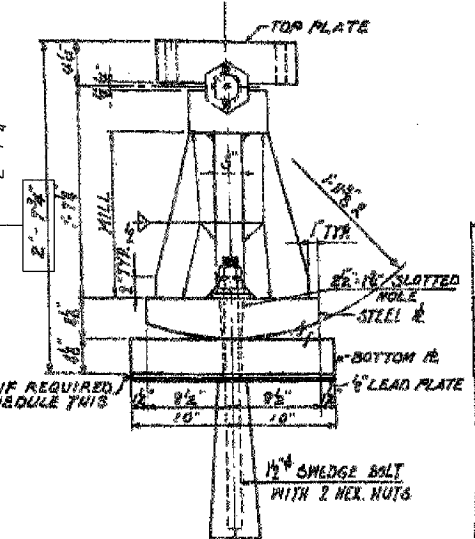
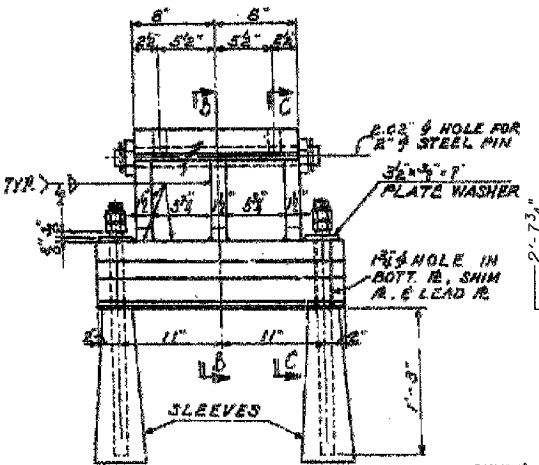
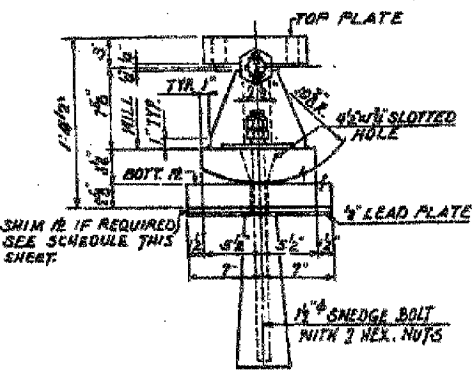
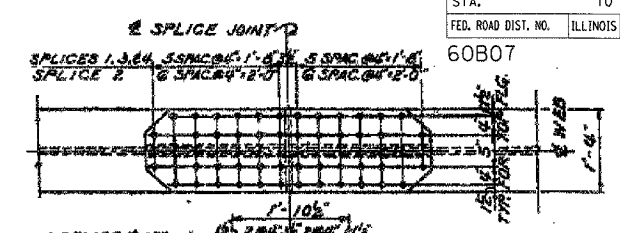
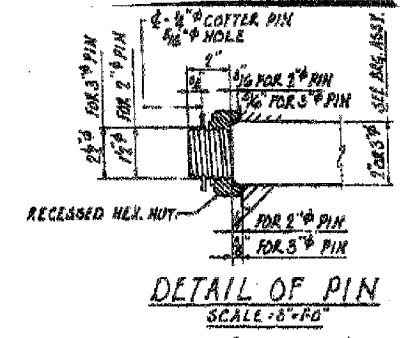
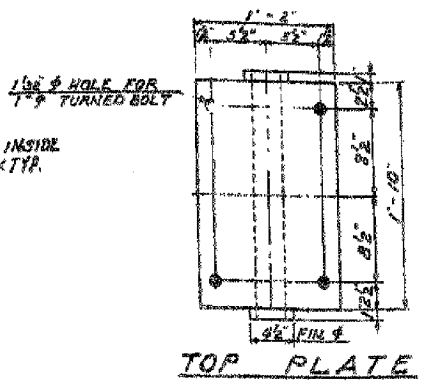
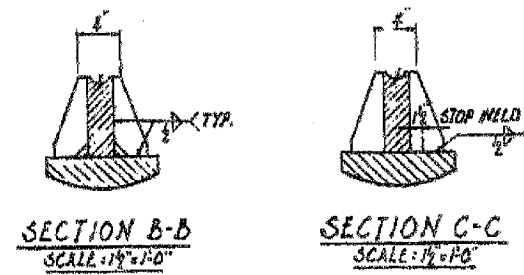
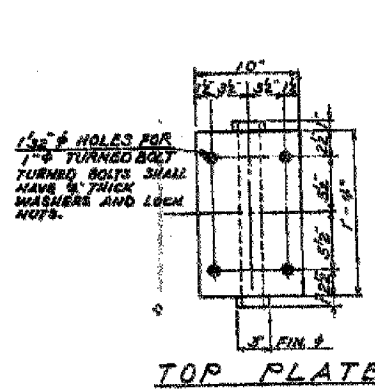


60B07

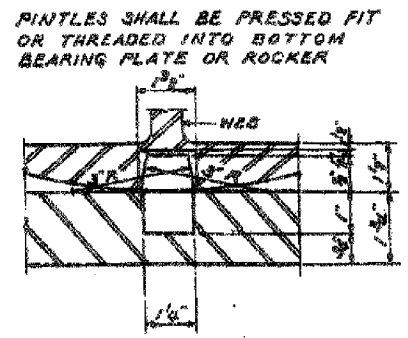
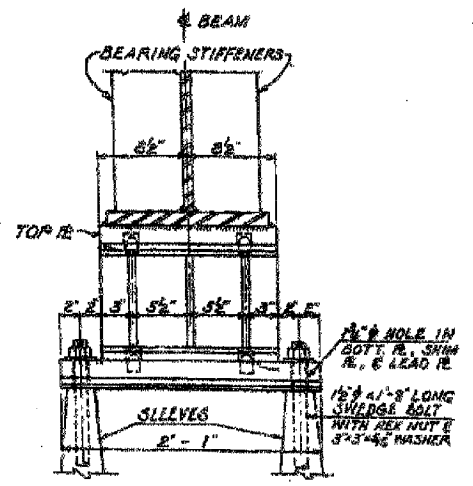
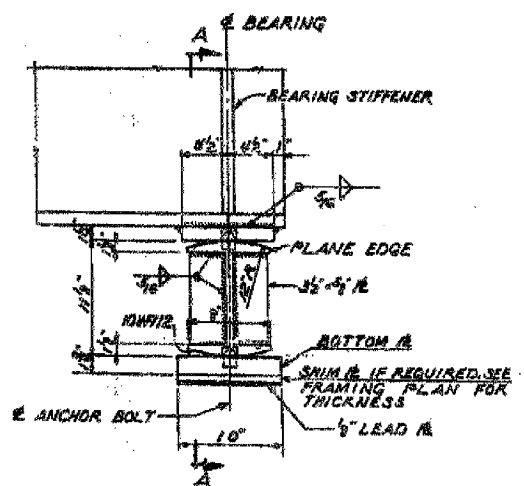


NOTES:  
FOR THICKNESS OF FLANGE SPLICE PLATE SEE TABLE BELOW.  
USE 1/2 HIGH STRENGTH BOLTS IN WEBS & FLANGES.

DETAILS OF EXPANSION BEARING AT PIER 26  
SCALE: 1/2" = 1'-0"

DETAILS OF EXPANSION BEARING AT PIER 1  
SCALE: 1/2" = 1'-0"

DETAIL OF FIELD SPLICE  
SCALE: 3/4" = 1'-0"



BOTTOM PINTLE DETAIL  
(TOP PINTLE DETAIL SIMILAR)  
SCALE: 1/2" = 1'-0"

SHIM # SCHEDULE

BEAM PIER	6	7	9	12	15
26	-	3/8"	3/8"	-	3/8"
1	3/8"	-	-	-	-
3	3/8"	-	-	3/8"	-

TABLE OF FLANGE SPLICE PLATES

NO. OF GIRDER	LOCATION ON TOP & BOTTOM FLANGES	THICKNESS OF SPLICE PLATE	
		* SPLICES 1, 3, 4, 5	* SPLICE 2
1, 9, & 17	C1	3/8"	1/2"
	C2	7/16"	3/8"
2, 3, 4, & 5	C1	3/8"	3/8"
	C2	7/16"	1/2"
6, 11, 12, 13, & 14	C1	3/8"	3/8"
	C2	7/16"	1/2"
7, 8, 10, 15, & 16	C1	3/8"	3/8"
	C2	7/16"	3/8"

\* FOR LOCATION OF SPLICES SEE FRAMING SHEETS 4, 12 & 13

NOTE!  
FOR DETAIL OF FIXED BEARING AT PIER 2 SEE SHF. 38.

DETAILS OF EXPANSION BEARING AT PIER 3  
SCALE: 1/2" = 1'-0"

CITY OF CHICAGO  
DEPARTMENT OF PUBLIC WORKS  
BUREAU OF ENGINEERING  
SOUTH ROUTE SUPERHIGHWAY  
ELEVATED HIGHWAY  
STEWART AVE. TO CANAL ST.  
SECTION 8-2424.3-3H  
BEARING & SPLICE DETAILS

Sheet 15 of 45

FOR INFORMATION ONLY

REVISIONS	
NAME	DATE

ILLINOIS DEPARTMENT OF TRANSPORTATION  
F.A.I. 94/90 (DAN RYAN EXPRESSWAY)  
DAN RYAN ELEVATED BRIDGE  
BEARING REPLACEMENT & STEEL REPAIR  
EXISTING PLAN INFORMATION  
SN 016-1116  
SCALE: NTS  
DATE: 5/18/2007  
DRAWN BY: LAM  
CHECKED BY: BLU

BOWMAN, BARRETT & ASSOCIATES INC.  
CONSULTING ENGINEERS  
Chicago, Illinois  
312.228.0100  
www.bbainc.com