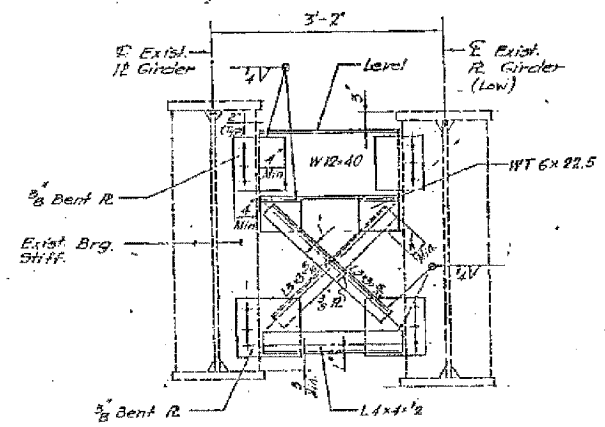
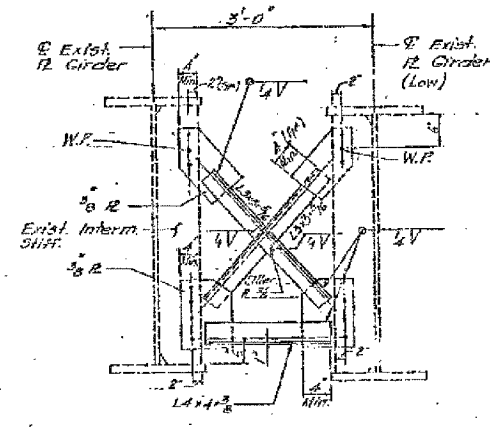


DATE	BY	CHKD	TOTAL SHEETS	SHEET NO.
9/13/07	COOK	JFJ	24	24
TO STA.				
FED. ROAD DIST. NO.				

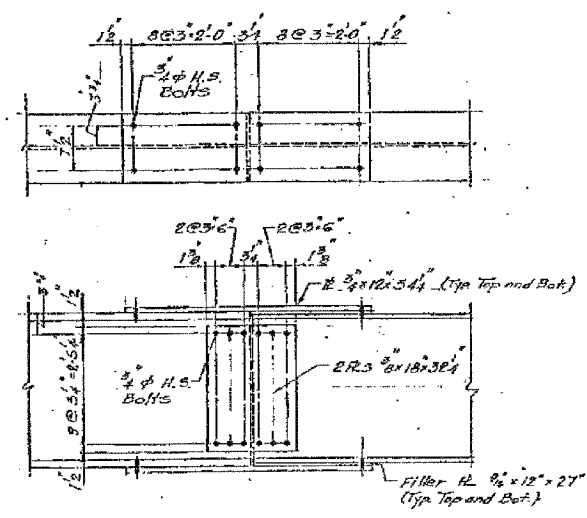
*SECTION 1985-082 R



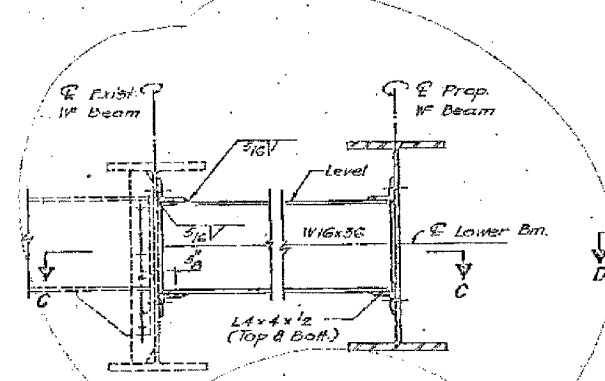
CF 3
TYPICAL END GROSS FRAME



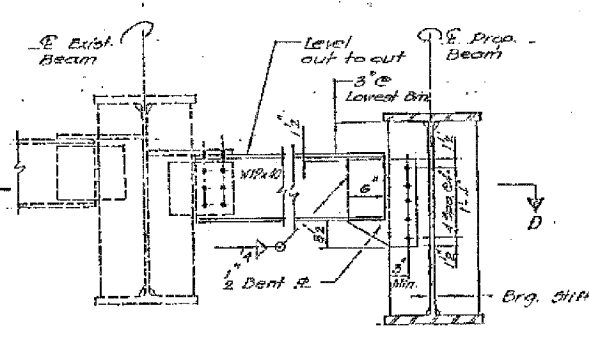
CF 4
TYPICAL INTERIOR CROSS FRAME



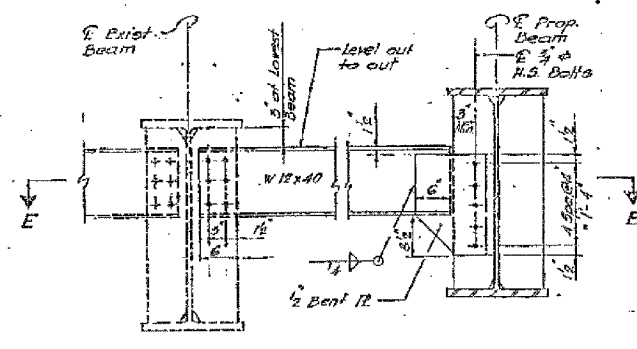
TYPICAL BOLTED FIELD SPLICE



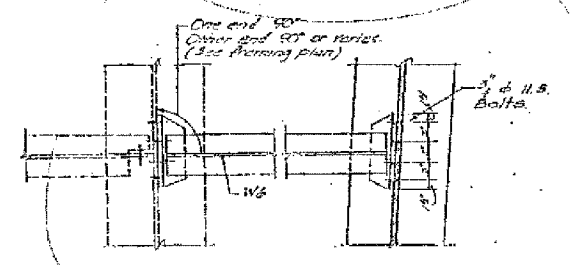
D6
INTERIOR DIAPHRAGM



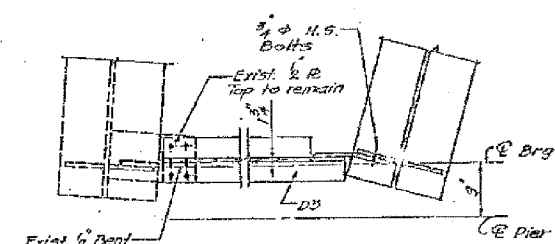
D3
END DIAPHRAGM



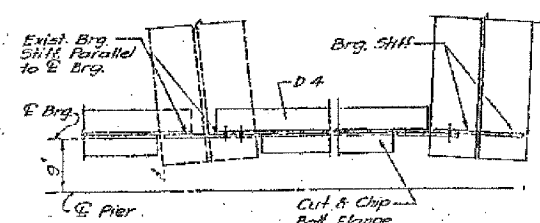
D4
END DIAPHRAGM



SECTION C-C



SECTION D-D



SECTION E-E

ALL NEW MATERIALS SHOWN ON THIS SHEET ARE FURNISHED UNDER A SEPARATE STEEL FABRICATION CONTRACT (SECTION 1985-081F), UNLESS NOTED OTHERWISE.

SHEET J 34 OF 109

STATE OF ILLINOIS
DEPARTMENT OF TRANSPORTATION
F.A.I. ROUTE 90/94 (DAN RYAN EXPRESSWAY)
SECTION 1985-082 R - COOK COUNTY
S.B. MAINLINE RECONSTRUCTION
STRUCTURE 016-1067 & HIT RAMP 'A' & MAINLINE
STRUCTURAL STEEL DETAILS
Scale: NONE
Date: AUGUST 14, 1997
Drawn By: E.D.
Checked By: SK
ENVIRONMENTAL ENGINEERS INC.
Chicago, Illinois

REVISIONS	
Name	Date

REVISIONS	
NAME	DATE

ILLINOIS DEPARTMENT OF TRANSPORTATION
F.A.I. 94/90 (DAN RYAN EXPRESSWAY)
DAN RYAN ELEVATED BRIDGE
BEARING REPLACEMENT & STEEL REPAIR
EXISTING PLAN INFORMATION
SN 016-1117 & SN 016-1067
SCALE: NTS
DATE: 5/18/2007
DRAWN BY: LAM
CHECKED BY: BLU

FOR INFORMATION ONLY

I:\960606\BRIDGE\2\ASHEETS\1660_21A_016-1117-EPI08207