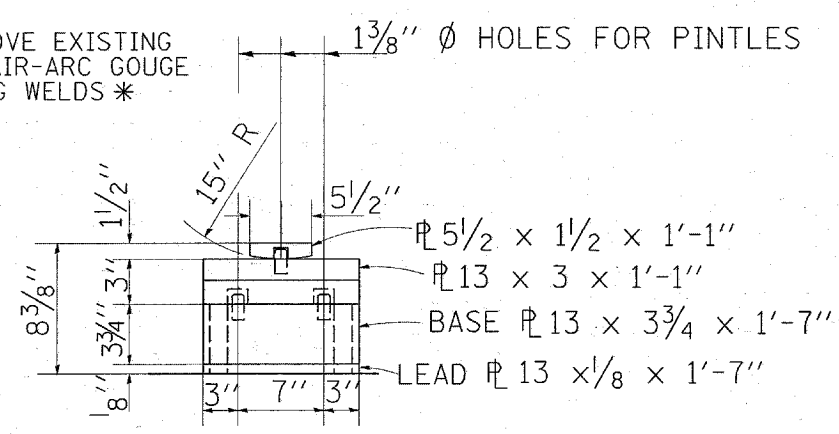
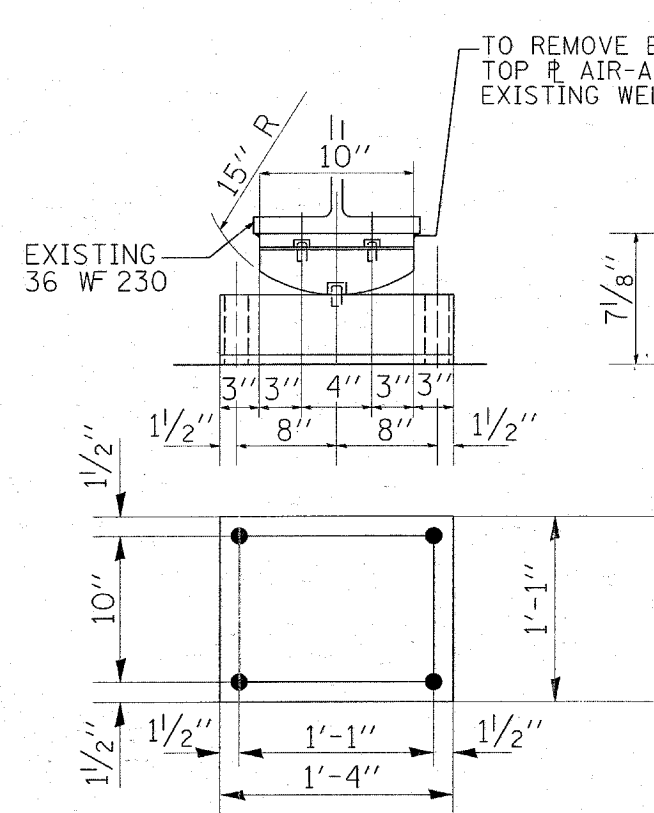


TO REMOVE EXISTING TOP P AIR-ARC GOUGE EXISTING WELDS \*

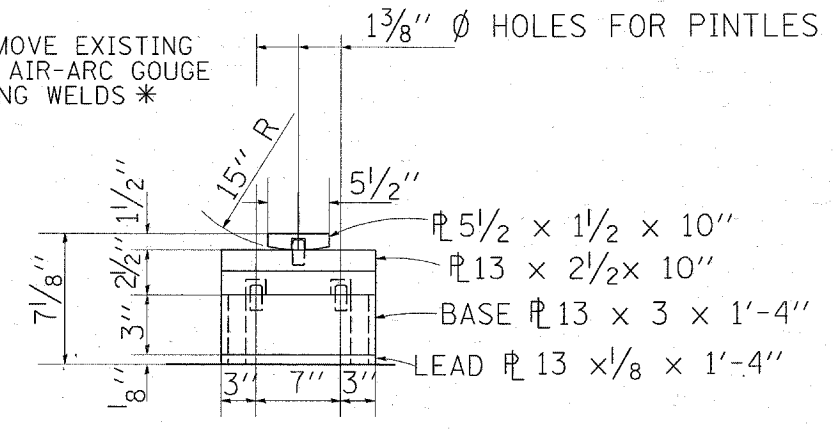


\* CARE SHALL BE TAKEN NOT TO DAMAGE EXISTING 36WF 230 TO REMAIN

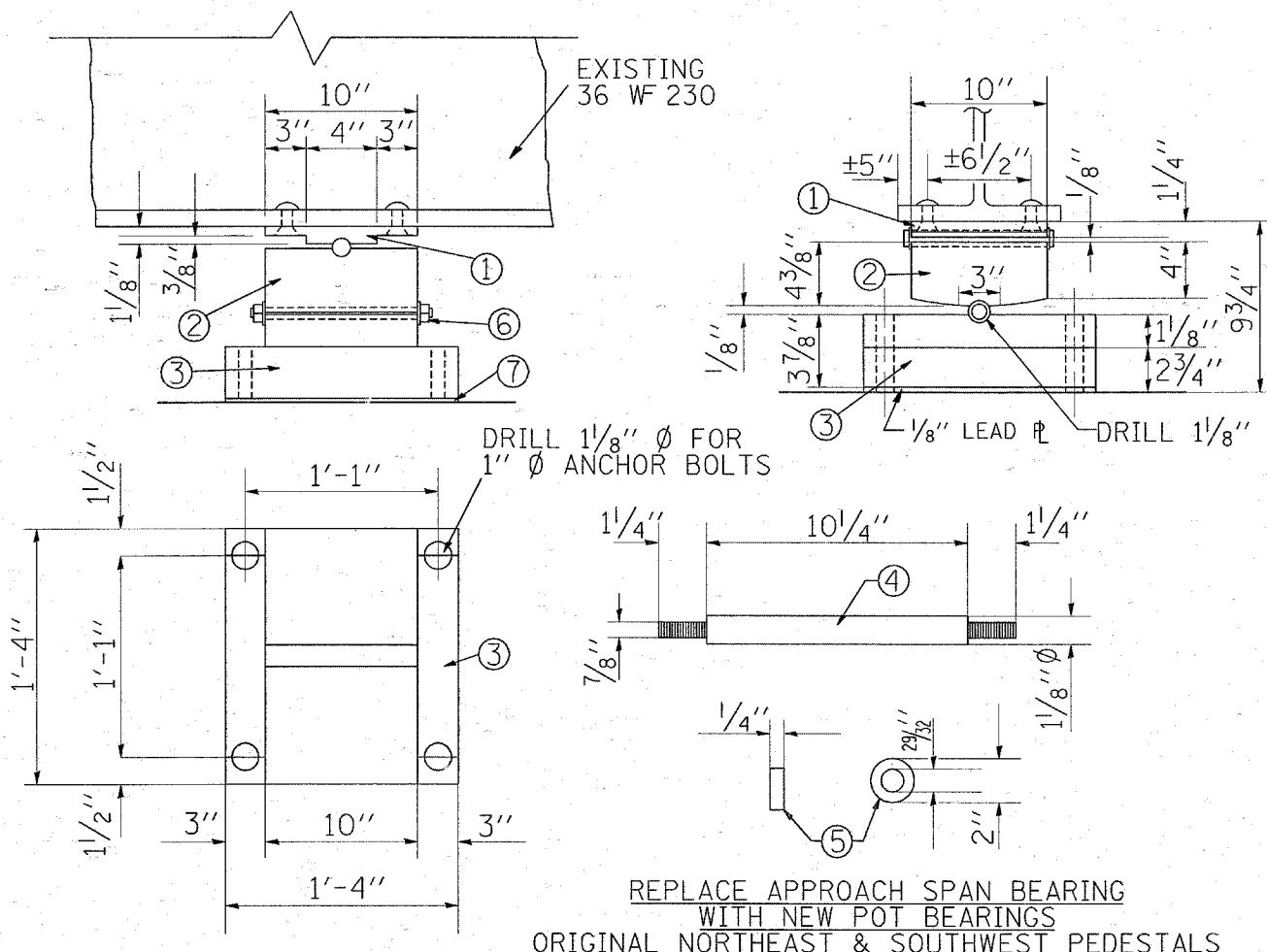
REPLACE APPROACH SPAN BEARING NEW NORTHWEST PEDESTAL



TO REMOVE EXISTING TOP P AIR-ARC GOUGE EXISTING WELDS \*



REPLACE APPROACH SPAN BEARING NEW SOUTHEAST PEDESTAL



DRILL 1 1/8" Ø FOR 1" Ø ANCHOR BOLTS

REPLACE APPROACH SPAN BEARING WITH NEW POT BEARINGS ORIGINAL NORTHEAST & SOUTHWEST PEDESTALS

MATERIAL FOR ONE BEARING

- ① 1- $\phi 10 \times 1/8 \times 0'-10''$
- ② 1- $\phi 10 \times 4 1/2 \times 0'-10''$
- ③ 1- $\phi 16 \times 4 \times 1'-4''$
- ④ 2- PINS  $1 1/8'' \phi \times 1'-0 3/4''$
- ⑤ 4- WASHERS  $1/4'' \times 2''$
- ⑥ 4-  $7/8''$  NUTS
- ⑦ 1- $\phi 16 \times 1/8 \times 1'-4''$  (LEAD)

FOR INFORMATION ONLY