

STATE OF ILLINOIS
 DEPARTMENT OF TRANSPORTATION
 DIVISION OF HIGHWAYS

**PROPOSED
 HIGHWAY PLANS**

F.A.U. ROUTE 2612: LEMONT ROAD OVER
 DES PLAINES RIVER, RR, CANAL (SN 016-2504)
 SECTION 3104 B-1-I-1
 BRIDGE SUBSTRUCTURE REPAIR
 COOK COUNTY
 C-91-208-07

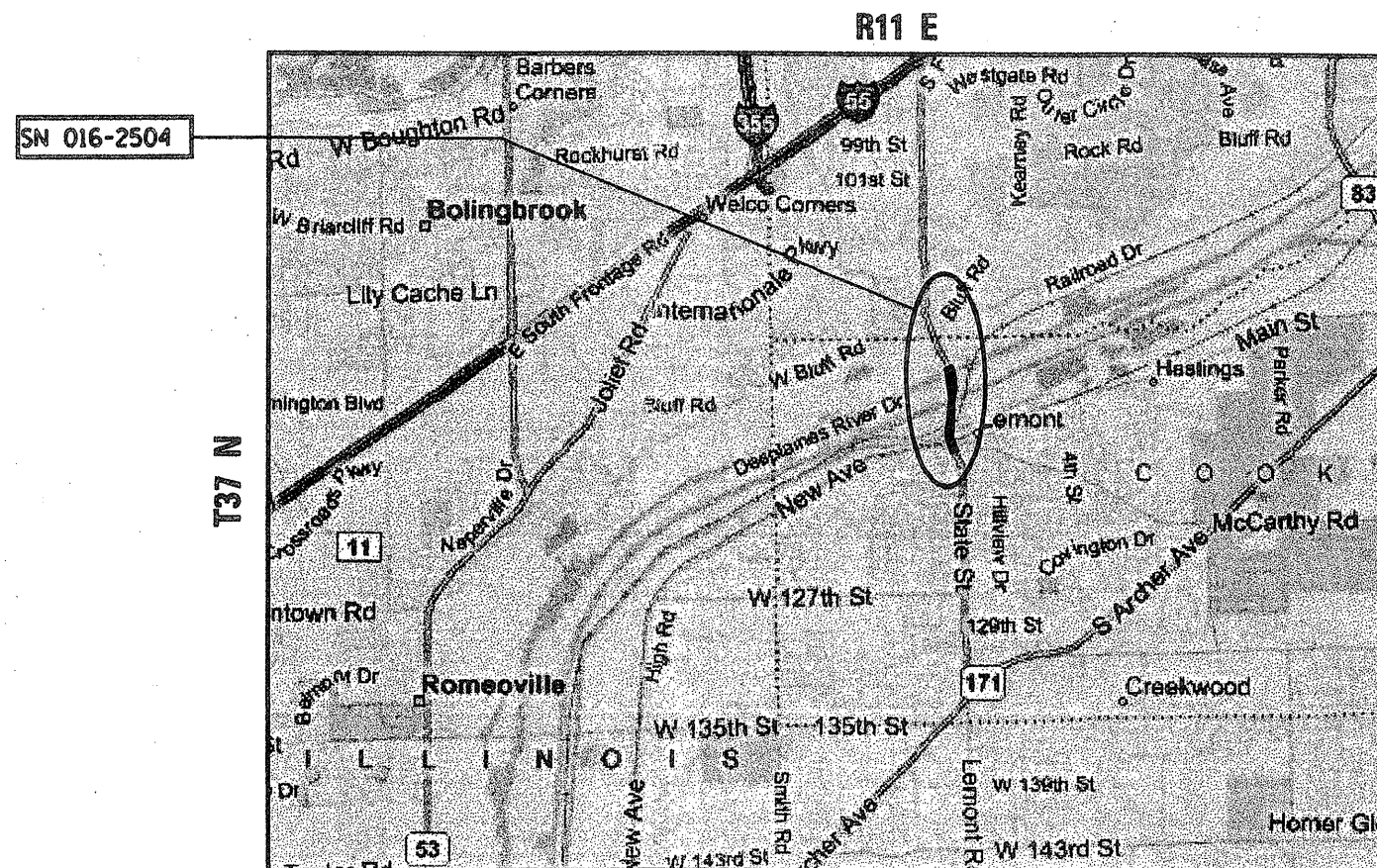
F.A.U. RTE.	SECTION	COUNTY	TOTAL SHEETS	SHEET NO.
2612	3104 B-1-I-1	COOK	6	1
FED. ROAD DIST. NO.	ILLINOIS	CONTRACT NO. 60C39		

FOR INDEX OF SHEETS, SEE SHEET NO. 2

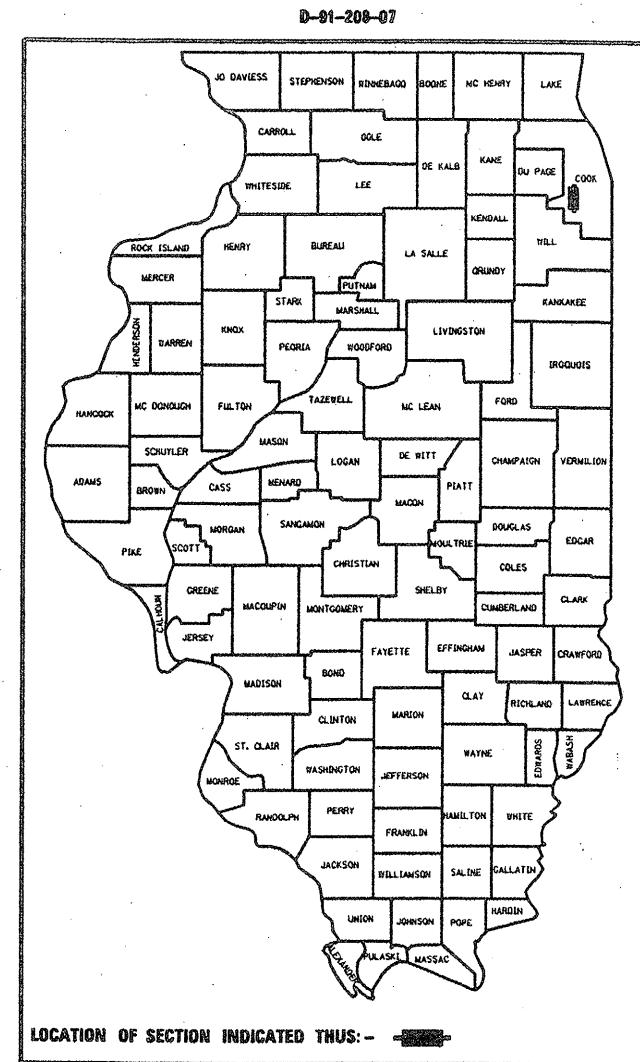
THE IMPROVEMENT IS LOCATED IN THE VILLAGE OF LEMONT

TRAFFIC DATA

2006 ADT = 34,100
 SPEED LIMIT = 45 MPH



LEMONT TOWNSHIP



LOCATION OF SECTION INDICATED THUS: - [rectangle] -

J.U.L.I.E.
 JOINT UTILITY LOCATION INFORMATION FOR EXCAVATION
 1-800-992-0123 OR 811

PROJECT ENGINEER ROBERT BORO (847) 705 - 4178
 PROJECT MANAGER KEN ENG
 CONTRACT NO. 60C39

STATE OF ILLINOIS
 DEPARTMENT OF TRANSPORTATION
 DIVISION OF HIGHWAYS

SUBMITTED APRIL 3, 2008
Diana O'Keefe
 DEPUTY DIRECTOR OF HIGHWAYS, REGION ENGINEER

May 9, 2008
Eric E. Haron
 INTERIM ENGINEER OF DESIGN AND ENVIRONMENT

May 9, 2008
Christine M. Reed
 DIRECTOR OF HIGHWAYS, CHIEF ENGINEER

PRINTED BY THE AUTHORITY
 OF THE STATE OF ILLINOIS

INDEX OF SHEETS

SHEET NO.	DESCRIPTION
1	COVER SHEET
2	INDEX OF SHEETS
3	SUMMARY OF QUANTITIES
4 - 6	BRIDGE REPAIR PLANS

LIST OF STATE STANDARDS

STANDARD NO.	DESCRIPTION
701001-01	OFF-RD OPERATIONS, 2L, 2W, MORE THAN 4.5 m (15') AWAY
701301-02	LANE CLOSURE, 2L, 2W, SHORT TIME OPERATIONS
701601-05	URBAN LANE CLOSURE, MULTILANE, 1W OR 2W WITH NONTRAVERSABLE MEDIAN
701901	TRAFFIC CONTROL DEVICES

GENERAL NOTES

THE CONTRACTOR WILL NOT BE ALLOWED TO SET UP A YARD OR FIELD OFFICE ON STATE PROPERTY WITHOUT WRITTEN PERMISSION FROM THE DEPARTMENT.

IT SHALL BE THE CONTRACTOR'S RESPONSIBILITY TO VERIFY ALL DIMENSIONS AND CONDITIONS EXISTING IN THE FIELD PRIOR TO CONSTRUCTION AND ORDERING OF MATERIALS.

THE CONTRACTOR SHALL CONTACT THE DISTRICT ONE TRAFFIC CONTROL SUPERVISOR AT (847)705-4470. A MINIMUM OF 72 HOURS IN ADVANCE OF BEGINNING WORK.

THE CONTRACTOR SHALL BE REQUIRED TO PROVIDE ACCESS TO ABUTTING PROPERTY AT ALL TIMES DURING THE CONSTRUCTION OF THIS PROJECT.

DO NOT SCALE PLANS FOR CONSTRUCTION DIMENSIONS.

BEFORE STARTING ANY EXCAVATION, THE CONTRACTOR SHALL CALL J.U.L.I.E. JOINT UTILITY LOCATION INFORMATION FOR EXCAVATION AT 1-800-892-0123 OR 811 (48 HOUR NOTIFICATION IS REQUIRED). LOCATIONS OF BURIED ELECTRIC, TELEPHONE AND GAS UTILITIES. (48 HOUR NOTIFICATION IS REQUIRED).

THE CONTRACTOR SHALL COORDINATE CONSTRUCTION ACTIVITIES WITH UTILITY COMPANIES AND THE CITY OF LEMONT.

CONCRETE STRUCTURES SHALL HAVE A SEVEN DAY MINIMUM CURE.

NO PERMANENT LANE CLOSURES ON LEMONT ROAD ARE PERMITTED.

FILE NAME = c:\projects\struct\1016-2504.dgn	USER NAME = tinjakosmv	DESIGNED - DRAWN -	REVISED - REVISED -	STATE OF ILLINOIS DEPARTMENT OF TRANSPORTATION	LEMONT ROAD OVER DES PLAINES RIVER, RR, CANAL INDEX OF SHEETS, STATE STANDARDS AND GENERAL NOTES S.N. 016-2504				F.A.U. RTE. 2612	SECTION 3104 B-1-1-1	COUNTY COOK	TOTAL SHEETS 6	SHEET NO. 2
PLOT SCALE = 100.0000' / IN.		CHECKED -	REVISED -		SCALE: NONE	SHEET NO.	OF	SHEETS	STA.	TO STA.	FED. ROAD DIST. NO. 1 ILLINOIS FED. AID PROJECT		
PLOT DATE = 4/7/2008		DATE -	REVISED -										

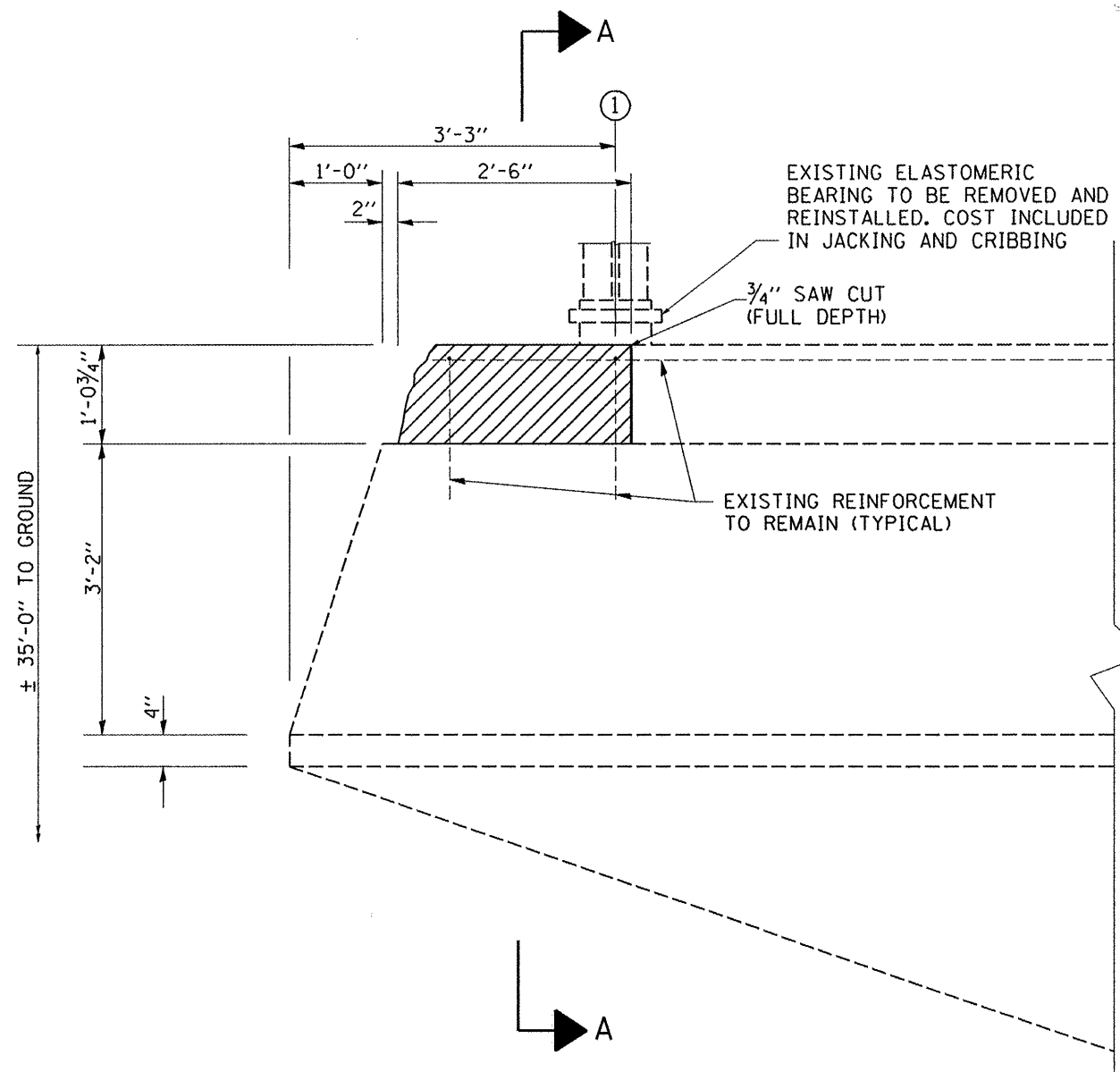
F.A.U. RTE.	SECTION	COUNTY	TOTAL SHEETS	SHEET NO.
2612	3104 B-1-1-1	COOK	6	3
FED. ROAD DIST. NO. 1		ILLINOIS	HIGHWAY PROJECT	
CONTRACT NO. 60C39				

SUMMARY OF QUANTITIES			URBAN 1001 STATE	CONSTRUCTION TYPE CODE SFTY-2A					
CODE NO	ITEM	UNIT	TOTAL QUANTITIES						
50102400	CONCRETE REMOVAL	CU YD	0.1						
50300255	CONCRETE STRUCTURE	CU YD	0.2						
50800205	REINFORCEMENT BARS, EPOXY COATED	POUND	20						
67000400	ENGINEER'S FIELD OFFICE, TYPE A	CAL MO	3						
67100100	MOBILIZATION	L SUM	1						
70102630	TRAFFIC CONTROL AND PROTECTION, STANDARD 701601	L SUM	1						
X0322467	TEMPORARY INFORMATION SIGNING FOR LANE CLOSURE	SO FT	24						
Z0031200	JACKING AND CRIBBING	EACH	1						

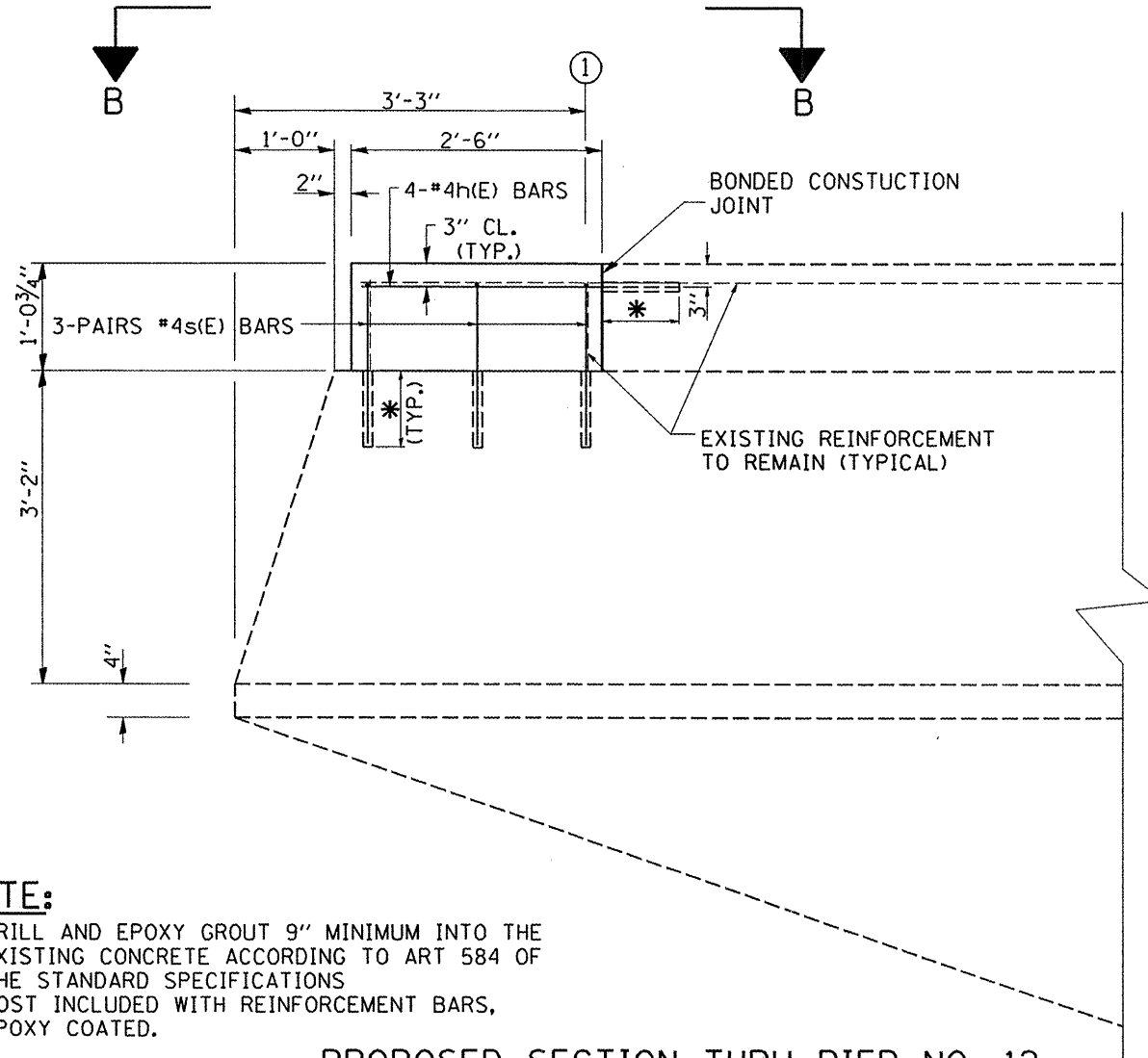
4/7/2008
c:\pcc\cib\c1381\struct1\18016-2504.dgn

REVISIONS	
NAME	DATE

ILLINOIS DEPARTMENT OF TRANSPORTATION
SUMMARY OF QUANTITIES
LEMONT ROAD OVER DES PLAINES RIVER,
RR, CANAL
S.N. 016-2504



**EXISTING SECTION THRU PIER NO. 12
(LOOKING NORTH)**



**PROPOSED SECTION THRU PIER NO. 12
(LOOKING NORTH)**

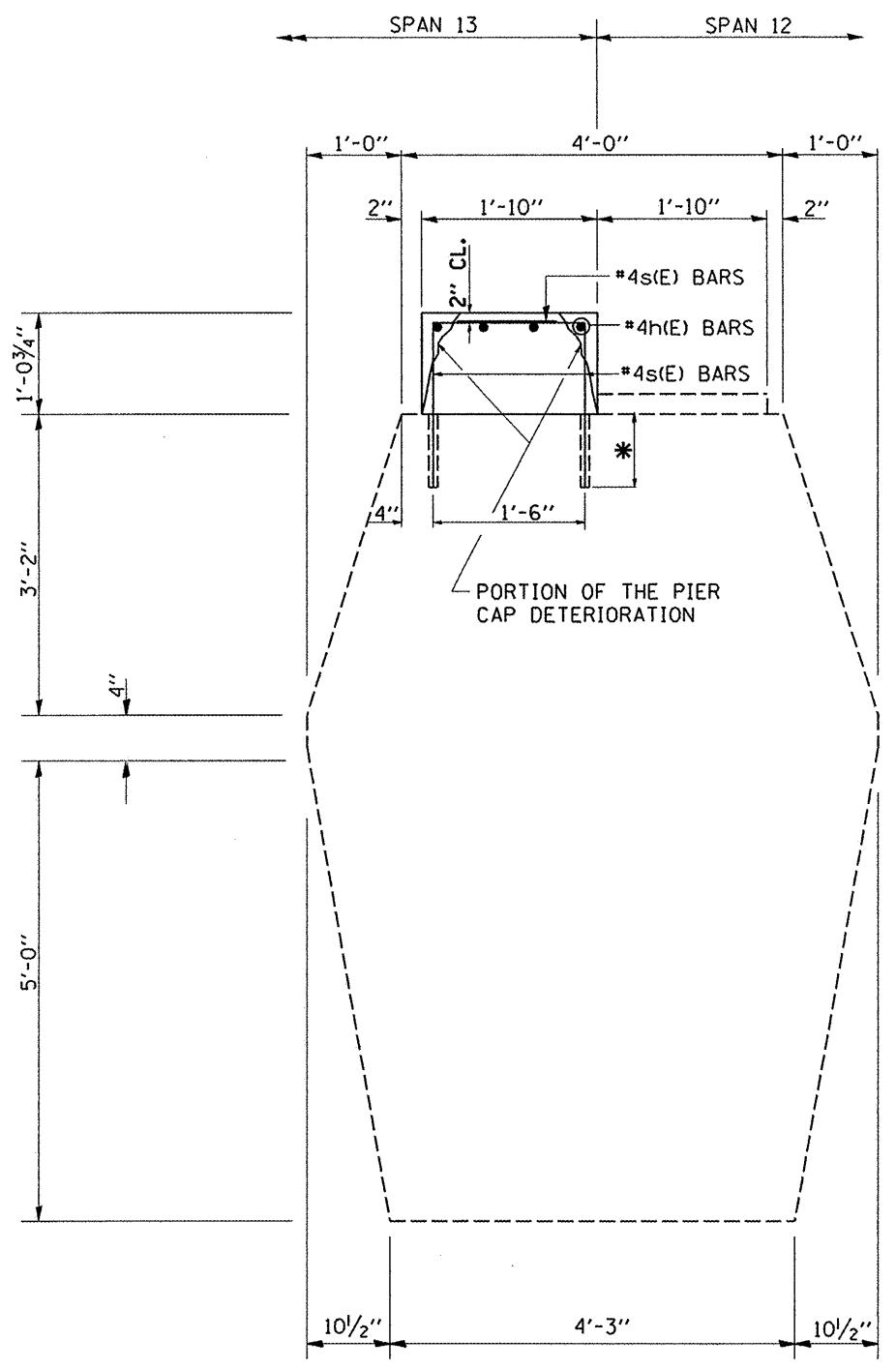
NOTE:
* DRILL AND EPOXY GROUT 9" MINIMUM INTO THE EXISTING CONCRETE ACCORDING TO ART 584 OF THE STANDARD SPECIFICATIONS COST INCLUDED WITH REINFORCEMENT BARS, EPOXY COATED.

LEGEND:
[Hatched Box] INDICATES CONCRETE REMOVAL

TOTAL BILL OF MATERIALS

BAR	NO.	SIZE	LENGTH	SHAPE
h(E)	4	#4	3'-0"	—
s(E)	6	#4	2'-10"	Γ
REINFORCEMENT BARS (EPOXY COATED)			POUND	20
CONCRETE REMOVAL			CU. YDS.	0.1
CONCRETE STRUCTURE			CU. YDS.	0.2
JACKING AND CRIBBING			EACH	1

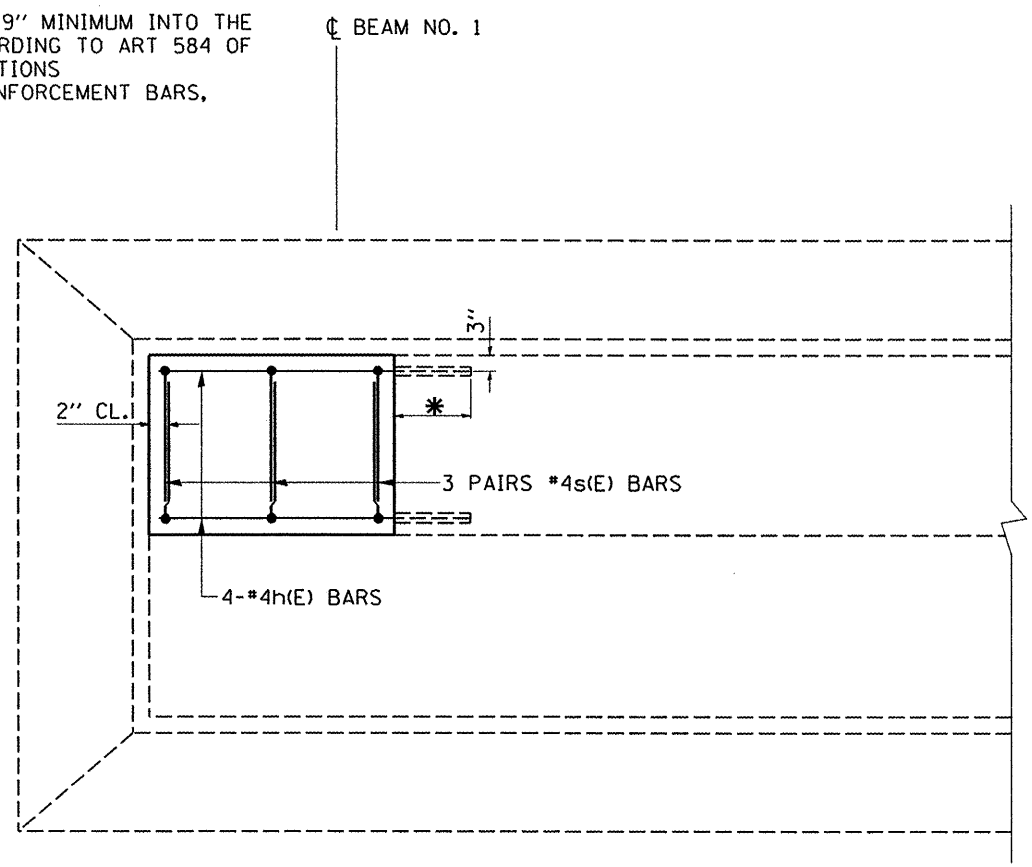
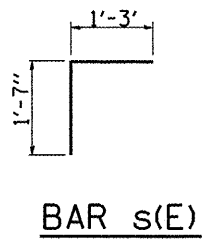
NOTES:
PLAN DIMENSIONS AND DETAILS RELATIVE TO EXISTING PLANS ARE SUBJECT TO ROUTINE VARIATIONS. THE CONTRACTOR SHALL FIELD VERIFY EXISTING DIMENSIONS AND DETAILS AFFECTING NEW CONSTRUCTION AND MAKE NECESSARY APPROVED ADJUSTMENTS PRIOR TO CONSTRUCTION OR ORDERING OF MATERIALS. SUCH VARIATIONS SHALL NOT BE CAUSE FOR ADDITIONAL COMPENSATION FOR A CHANGE IN SCOPE OF THE WORK, HOWEVER, THE CONTRACTOR WILL BE PAID FOR THE QUANTITY ACTUALLY FURNISHED BASED UPON THE UNIT PRICE BID FOR THE WORK.
REINFORCEMENT BARS SHALL CONFORM TO THE REQUIREMENTS OF ASTM A706 Gr 60 (IL MODIFIED). SEE SPECIAL PROVISIONS.
EXISTING REINFORCEMENT BARS EXTENDING INTO THE REMOVAL AREA SHALL BE CLEANED, STRAIGHTENED AND INCORPORATED INTO THE NEW CONSTRUCTION. ANY REINFORCEMENT BARS THAT ARE DAMAGED DURING CONCRETE REMOVAL SHALL BE REPLACED WITH APPROVED BAR SPLICER OR ANCHORAGE SYSTEM. COST INCLUDED WITH CONCRETE REMOVAL.



SECTION A-A

NOTE:

* DRILL AND EPOXY GROUT 9" MINIMUM INTO THE EXISTING CONCRETE ACCORDING TO ART 584 OF THE STANDARD SPECIFICATIONS COST INCLUDED WITH REINFORCEMENT BARS, EPOXY COATED.



SECTION B-B

REACTION TABLE	
PIER NO. 12 SPAN 13	
DEAD LOAD	83.1 KIPS
LIVE LOAD	65.9 KIPS
IMPACT	10.5 KIPS
TOTAL REACTION	159.5 KIPS

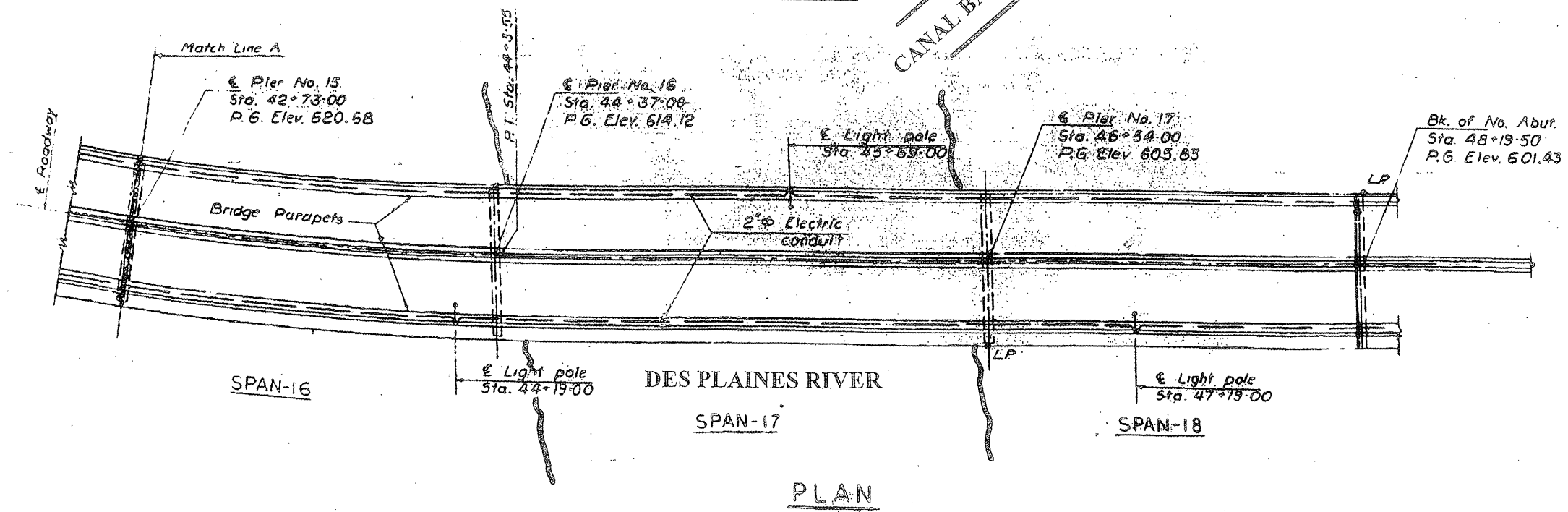
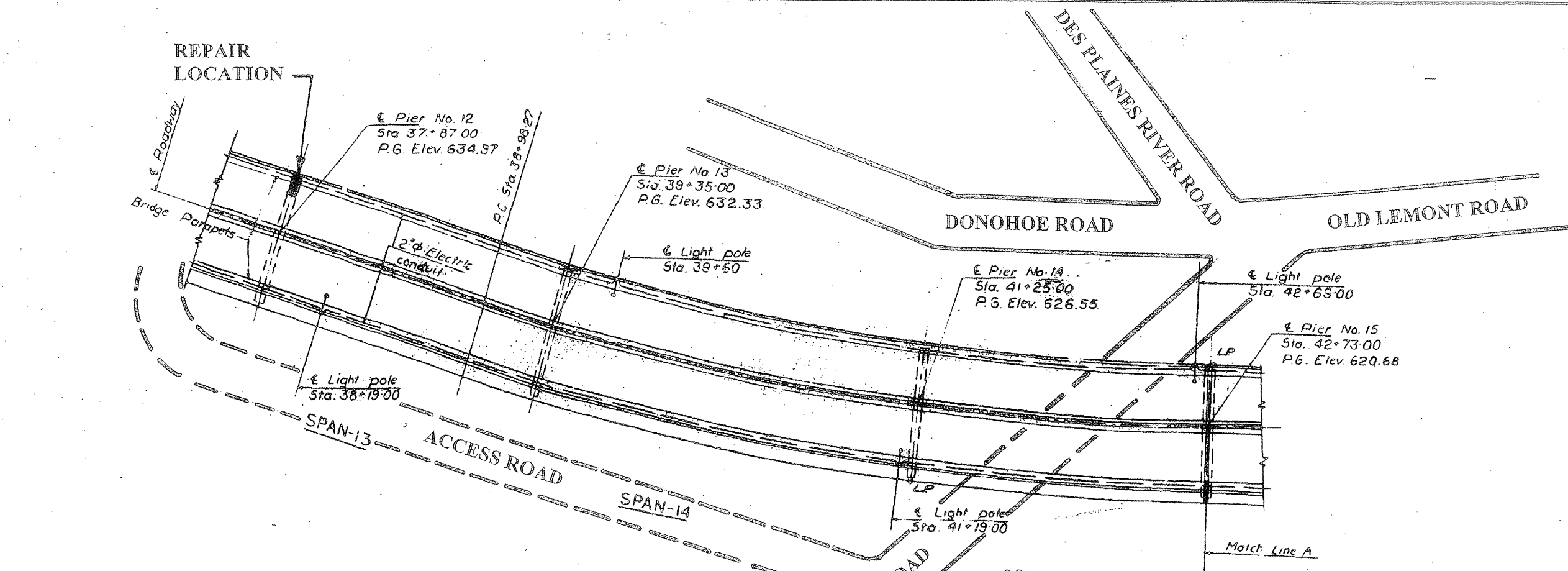
FILE NAME = c:\projects\struc1\016-2504.dgn
 USER NAME = tlniakosmv
 PLOT SCALE = 105.8794 "/ IN.
 PLOT DATE = 4/7/2008

DESIGNED -	REVISED -
DRAWN -	REVISED -
CHECKED -	REVISED -
DATE -	REVISED -

STATE OF ILLINOIS
 DEPARTMENT OF TRANSPORTATION

LEMONT AVENUE OVER DES PLAINS RIVER, AND I & M CANAL
 PORTION OF THE PIER NO. 12 CAP RECONSTRUCTION
 S.N. 016-2504

F.A. RTE. 2612	SECTION 31048-1-1-1	COUNTY COOK	TOTAL SHEETS 6	SHEET NO. 5
CONTRACT NO. 60C39				
FED. ROAD DIST. NO. 1 ILLINOIS FED. AID PROJECT				



FOR INFORMATION ONLY

FILE NAME = c:\projects\struct\016-2504.dgn	USER NAME = tjrtakamv	DESIGNED -	REVISED -	STATE OF ILLINOIS DEPARTMENT OF TRANSPORTATION	LEMONT AVENUE OVER DES PLAINS RIVER, AND I & M CANAL GENERAL PLAN S.N. 016-2504		F.A. RTE. 2612	SECTION 3104B-1-1-1	COUNTY COOK	TOTAL SHEETS 6	SHEET NO. 6	
PLOT SCALE = 100.0000' / IN.	CHECKED -	REVISED -	REVISED -		SCALE:	SHEET NO. OF SHEETS	STA.	TO STA.	CONTRACT NO. 60C39			
PLOT DATE = 4/1/2008	DATE	REVISED -	REVISED -		FED. ROAD DIST. NO. 1 ILLINOIS FED. AID PROJECT							