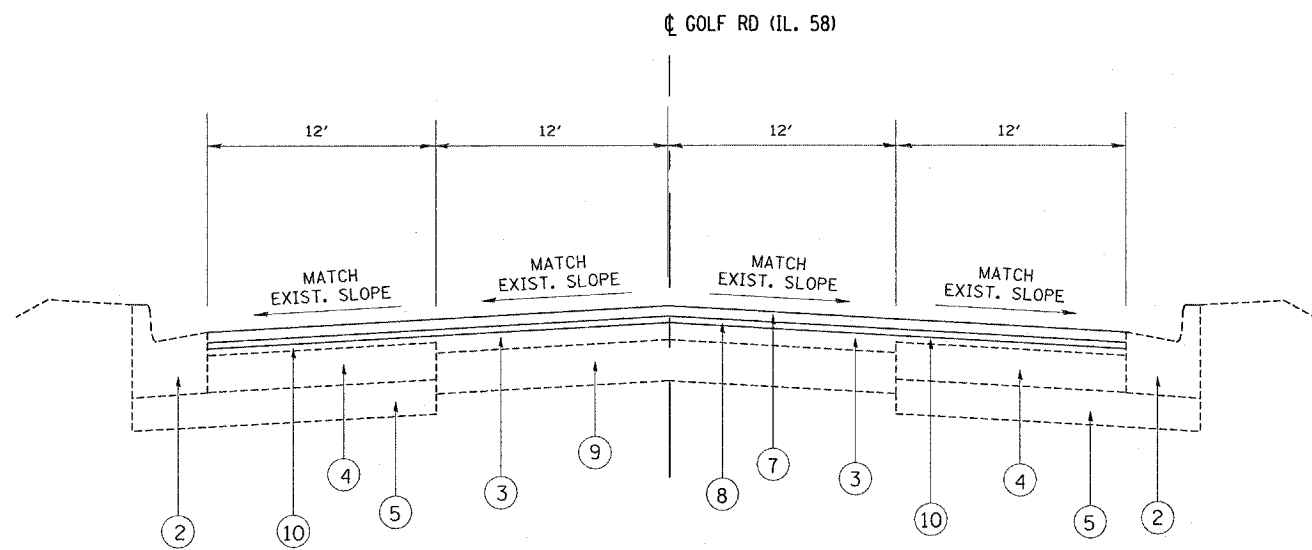


EXISTING TYPICAL SECTION  
STA. 89+10 TO STA. 124+31



PROPOSED TYPICAL SECTION  
STA. 89+10 TO STA. 124+31

**LEGEND**

- ① EXISTING CURB & GUTTER, TYPE B-6.12
- ② EXISTING CURB & GUTTER, TYPE B-6.24
- ③ EXISTING HMA AFTER MILLING SURFACE, 3 1/2 "
- ④ EXISTING HMA BASE COURSE, 1 1/4"
- ⑤ EXISTING GRANULAR SUBBASE, 4"
- ⑥ PROPOSED HMA SURFACE REMOVAL 2 1/2"
- ⑦ PROPOSED POLYMERIZED HOT-MIX ASPHALT SURFACE COURSE, MIX "F", N90, 1 3/4"
- ⑧ PROPOSED POLYMERIZED LEVELING BINDER (MACHINE METHOD), IL-4.75, N50, 3/4"
- ⑨ EXISTING PCC PAVEMENT
- ⑩ EXISTING HMA AFTER MILLING SURFACE, 2 1/4"
- ⑪ EXISTING MEDIAN

FILE NAME =  
c:\projects\d125887\sh.rdwg\_00.dgn

USER NAME = osmarhm  
PLOT SCALE = 50,0000 ' / IN.  
PLOT DATE = 4/15/2008

DESIGNED -  
DRAWN -  
CHECKED -  
DATE -

REVISED -  
REVISED -  
REVISED -  
REVISED -

**STATE OF ILLINOIS  
DEPARTMENT OF TRANSPORTATION**

**IL. RTE. 58 (GOLF ROAD)  
TYPICAL CROSS SECTIONS**

SCALE: NONE SHEET NO. OF SHEETS STA. TO STA.

F.A.P. RTE.	SECTION	COUNTY	TOTAL SHEETS	SHEET NO.
339	2007-017RS	COOK	33	9
CONTRACT NO. 60CT2				
FED. ROAD DIST. NO. 1 ILLINOIS FED. AID PROJECT				