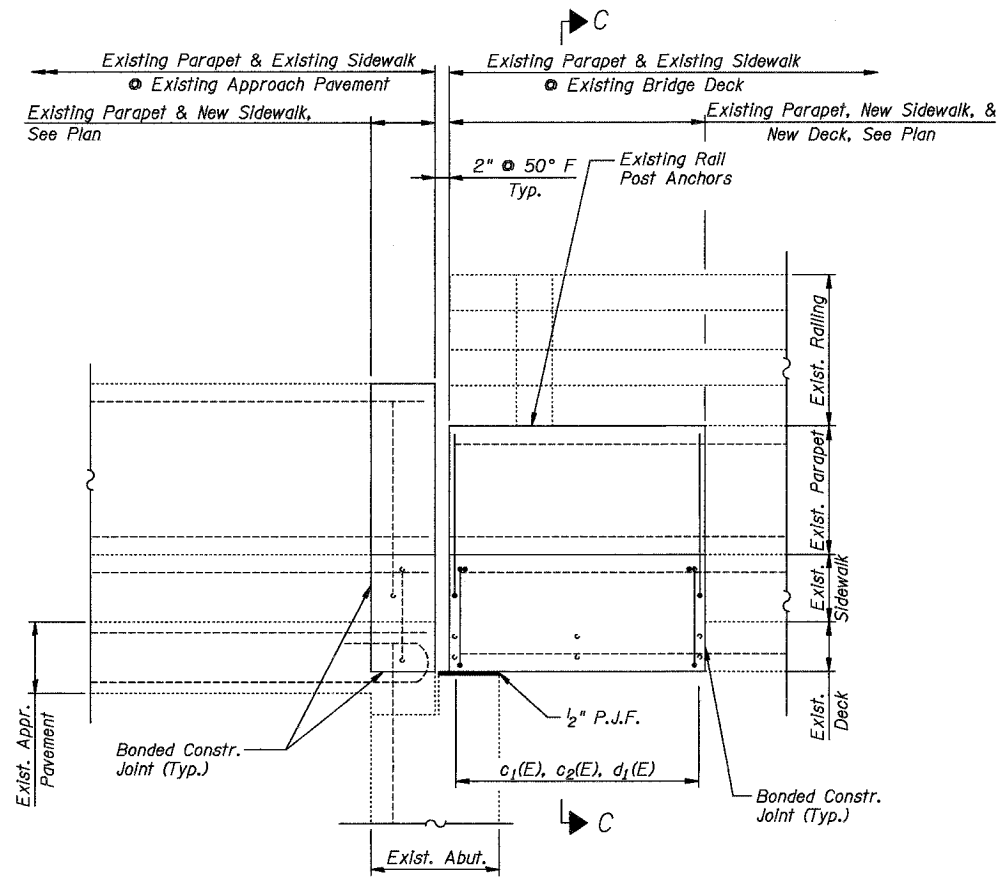
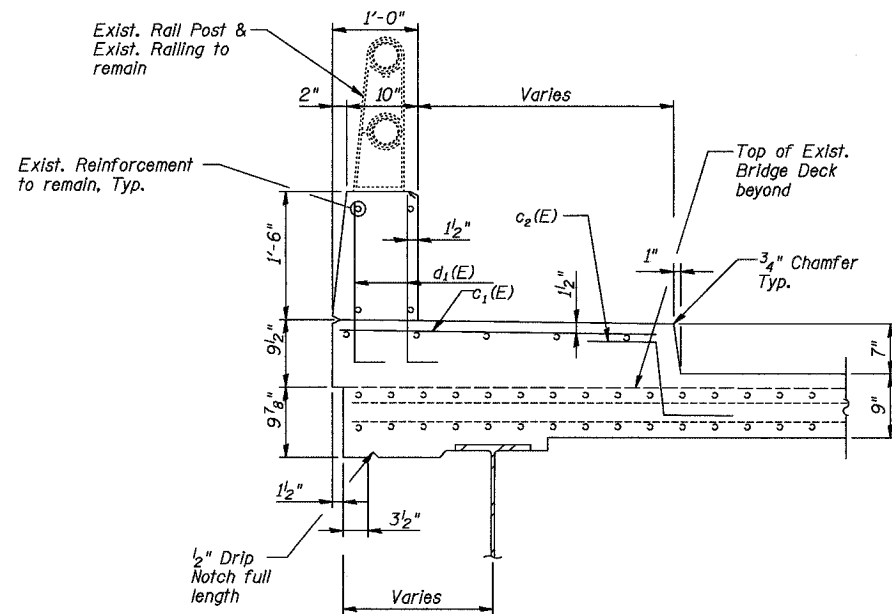


**CONCRETE REMOVAL @ EXISTING  
PARAPET & EXISTING SIDEWALK ELEVATION**  
(Existing)



**CONCRETE REPLACEMENT @ EXISTING  
PARAPET & EXISTING SIDEWALK ELEVATION**



**SECTION C-C**

DESIGNED	S.D.H.
CHECKED	J.A.Z.
DRAWN	M.S.M.
CHECKED	S.D.H.

**NOTES:**

- \* Exist. reinforcement bars & rail post anchors extending into the removal areas shall be cleaned, straightened and incorporated into the new construction. Any reinforcement bars or rail post anchors that are damaged during concrete removal shall be replaced with approved bar splicer or anchorage system. Cost included with Concrete Removal.
- ▨ Hatched areas indicate concrete sections to be removed and replaced. Perimeters of concrete removal areas shall be saw cut 3/4" prior to the removal of concrete.
- Work this sheet with Sheet 10.

**PARAPET & SIDEWALK  
SECTIONS & DETAILS**  
FAP 541 (GRAND AVE.) OVER  
IL RTE. 137 (AMSTUTZ EXPY.)  
SECTION 9 HB-I-1  
LAKE COUNTY  
STATION 6+46.04  
S.N. 049-0118

DATE: 03-27-08  
GRAEF, ANHALT, SCHLOEMER & ASSOCIATES INC  
CHICAGO ILLINOIS