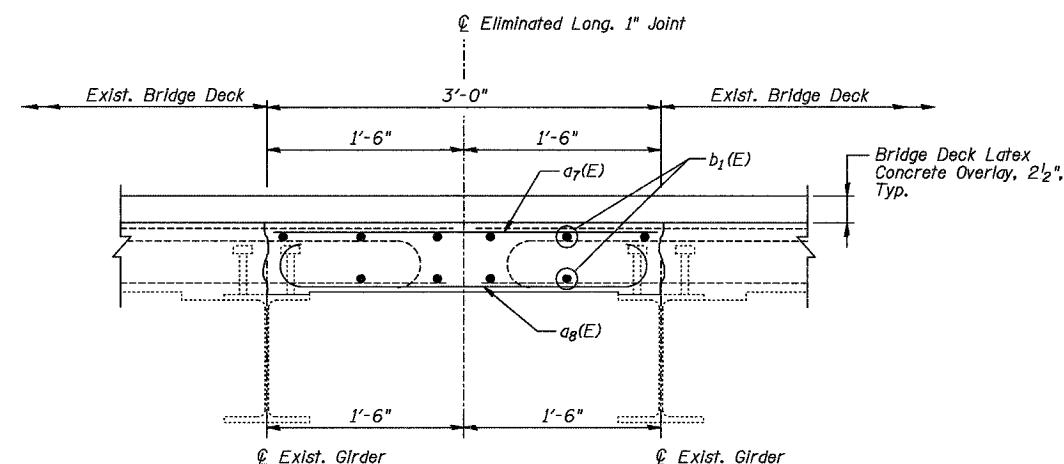
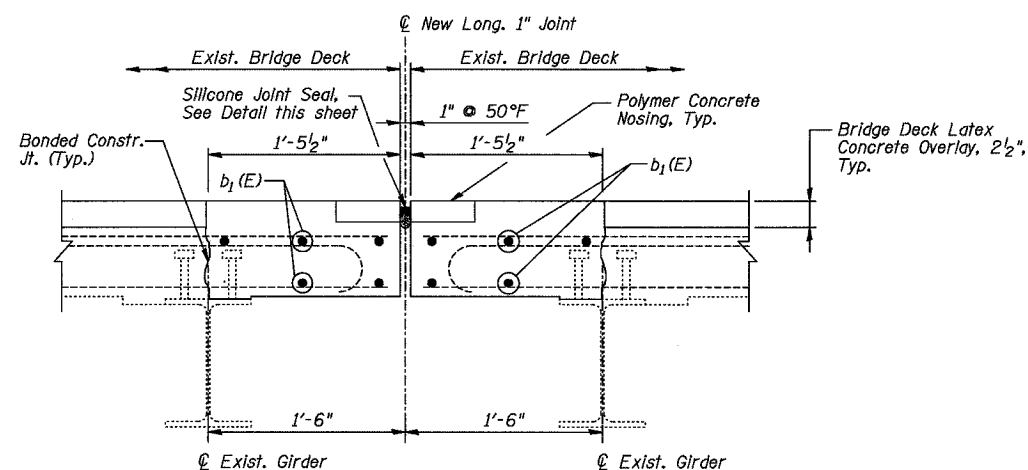


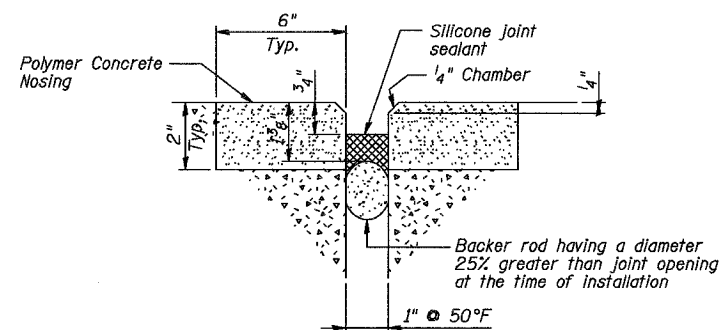
SECTION A-A  
(Existing)



SECTION B-B



SECTION C-C



SILICONE JOINT SEAL

NOTES:

1. Exist. reinforcement bars & shear studs extending into the removal areas shall be cleaned, straightened and incorporated into the new construction. Any reinforcement bars that are damaged during concrete removal shall be replaced with approved bar splicer or anchorage system. Any shear studs that are damaged during concrete removal shall be replaced with approved equal. Cost included with Concrete Removal.
2. Work this sheet with Sheet 13.

DESIGNED	S.D.H.
CHECKED	J.A.Z.
DRAWN	M.S.M.
CHECKED	S.D.H.

LONGITUDINAL JOINT DETAILS II  
 FAP 541 (GRAND AVE.) OVER  
 IL RTE. 137 (AMSTUTZ EXPY.)  
 SECTION 9 HB-I-1  
 LAKE COUNTY  
 STATION 6+46.04  
 S.N. 049-0118  
 DATE: 03-27-08  
 GRAEF, ANHALT, SCHLOEMER & ASSOCIATES INC  
 CHICAGO ILLINOIS