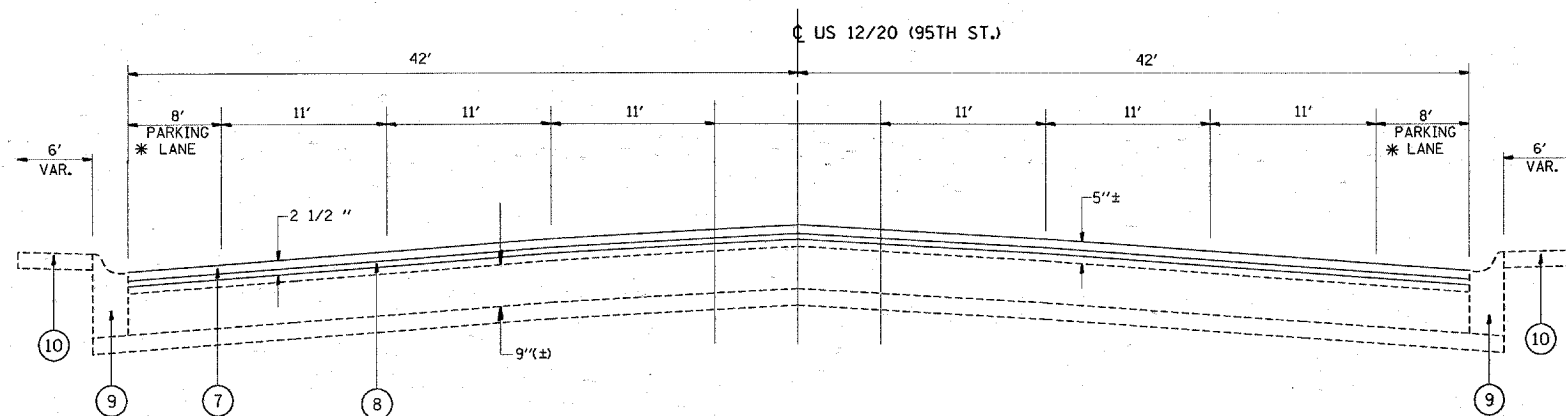


**EXISTING TYPICAL SECTION
US 12/20 (95TH STREET)
STA. 71+06 TO STA. 297+74**

LEGEND

- ① EXIST. SIDEWALK
- ② EXIST. B-6.12 CURB & GUTTER
- ③ EXIST. SUB-BASE
- ④ EXIST. HMA PAVEMENT, 5''(±)
- ⑤ EXIST. P.C.C. BASE COURSE, 9''(±)
- ⑥ PROP. HMA SURFACE REMOVAL, 2 1/2''
- ⑦ PROP. POLYMERIZED HMA SURFACE COURSE, MIX "F", N90, 1 3/4''
- ⑧ PROP. POLYMERIZED LEVELING BINDER (MM), N50, IL-4.75, 3/4''
- ⑨ PROP. COMBINATION CONC. CURB & GUTTER REMOVAL & REPLACEMENT (TO BE DETERMINED IN THE FIELD BY THE ENGINEER)
- ⑩ PROP. SIDEWALK REMOVAL AND REPLACEMENT (TO BE DETERMINED IN THE FIELD BY THE ENGINEER)



**PROPOSED TYPICAL SECTION
US 12/20 (95TH STREET)
STA. 71+06 TO STA. 297+74**

NOTES

* WHERE SHOWN IN ROADWAY PLANS

FILE NAME = c:\projects\dl13408\sh_rdwj.dgn	USER NAME = sm1thkl	DESIGNED -	REVISED -	STATE OF ILLINOIS DEPARTMENT OF TRANSPORTATION	US 12/20 (OAK PARK AVE. TO WESTERN AVE.) EXISTING AND PROPOSED TYPICAL SECTIONS	F.A. RTE. =	SECTION	COUNTY	TOTAL SHEETS	SHEET NO.	
	PLOT SCALE = 50.0000 / / IN.	DRAWN -	REVISED -			029	3239 (B-X&C) Z-RS-1	COOK	54	8	
	PLOT DATE = 4/2/2008	CHECKED -	REVISED -			CONTRACT NO. 60D96					
		DATE -	REVISED -			SCALE:	SHEET NO. OF SHEETS	STA. TO STA.	FED. ROAD DIST. NO. 1 ILLINOIS FED. AID PROJECT		