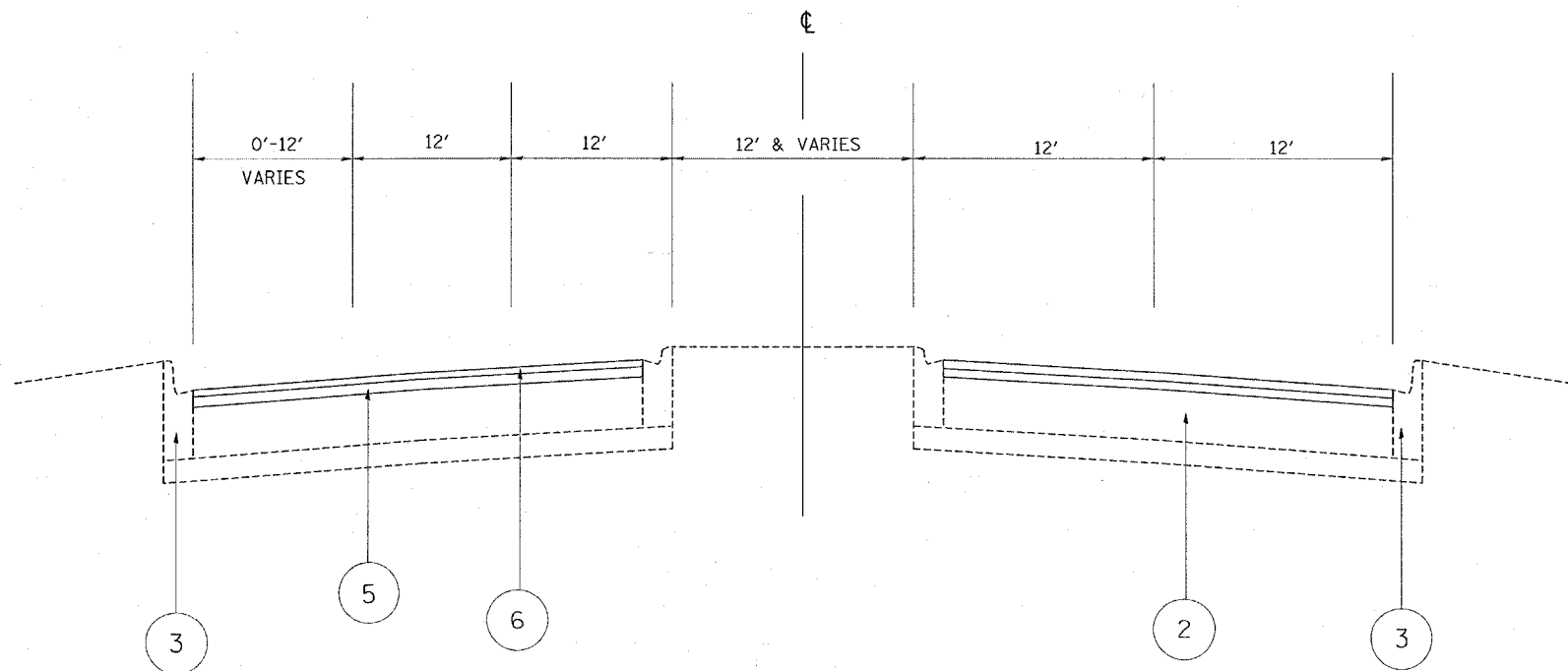


ILL 53
 EXISTING TYPICAL SECTION
 STA. 73+65 TO STA. 107+79

- LEGEND
- 1 EXISTING HOT-MIX ASPHALT SURFACE
 - 2 EXISTING PCC BASE COURSE, 9" +/-
 - 3 EXISTING CONCRETE CURB AND GUTTER, TYPE B-6.12
 - 4 PROPOSED HOT MIX ASPHALT SURFACE REMOVAL, 2 1/2"
 - 5 PROPOSED POLYMERIZED LEVELING BINDER (MACHINE METHOD), IL -4.75, N50 (3/4")
 - 6 PROPOSED POLYMERIZED HOT MIX ASPHALT SURFACE COURSE, MIX "F", N90 (1 3/4")



ILL 53
 PROPOSED TYPICAL SECTION
 STA. 73+65 TO STA. 107+79

FILE NAME = c:\projects\dl17008\sh_rdw.dgn	USER NAME = barks1	DESIGNED -	REVISED -	STATE OF ILLINOIS DEPARTMENT OF TRANSPORTATION	IL 53 (75TH STREET TO FOUR LAKES AVENUE) EXISTING AND PROPOSED TYPICAL CROSS SECTIONS		F.A.P. RTE.	SECTION	COUNTY	TOTAL SHEETS	SHEET NO.	
	PLOT SCALE = 50.0000' / IN.	DRAWN -	REVISED -				870	534 RS-4	DUPAGE	24	5	
PLOT DATE = 2/20/2008	CHECKED -	REVISED -	SCALE:		SHEET NO. OF SHEETS	STA. TO STA.	FED. ROAD DIST. NO. 1 [ILLINOIS] FED. AID PROJECT					
	DATE -	REVISED -					CONTRACT NO. 60E09					