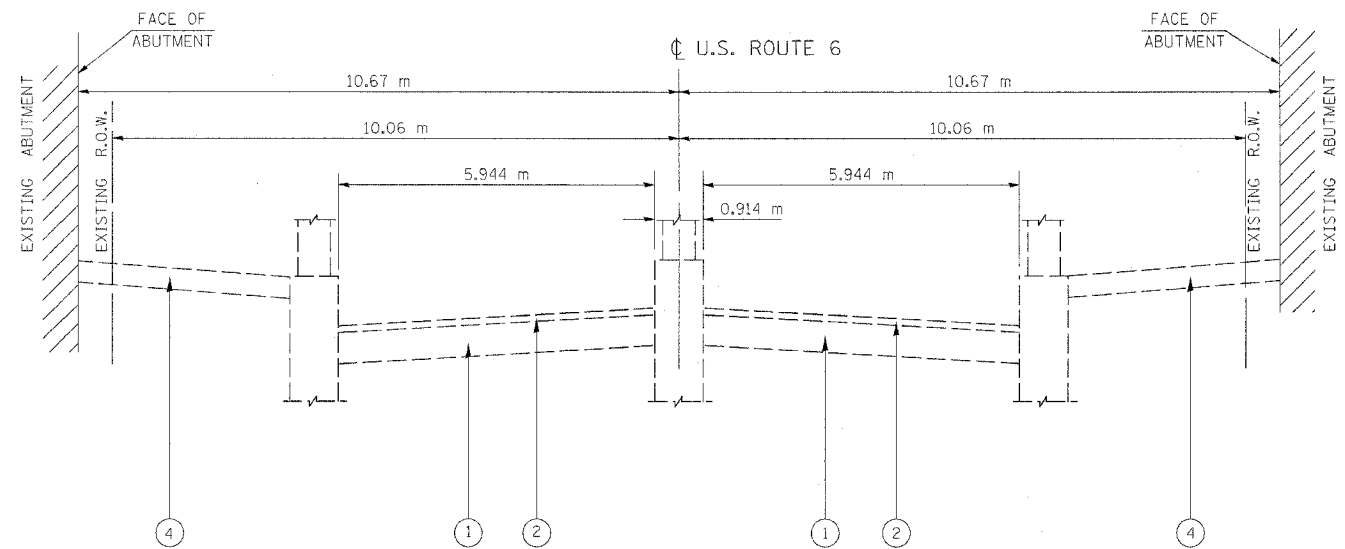


F.A.P. RTE.	SECTION	COUNTY	TOTAL SHEETS	SHEET NO.
351	2008-001VB	COOK	579	25
STA.	TO STA.			
FED. ROAD DIST. NO.	ILLINOIS	FED. AID PROJECT		

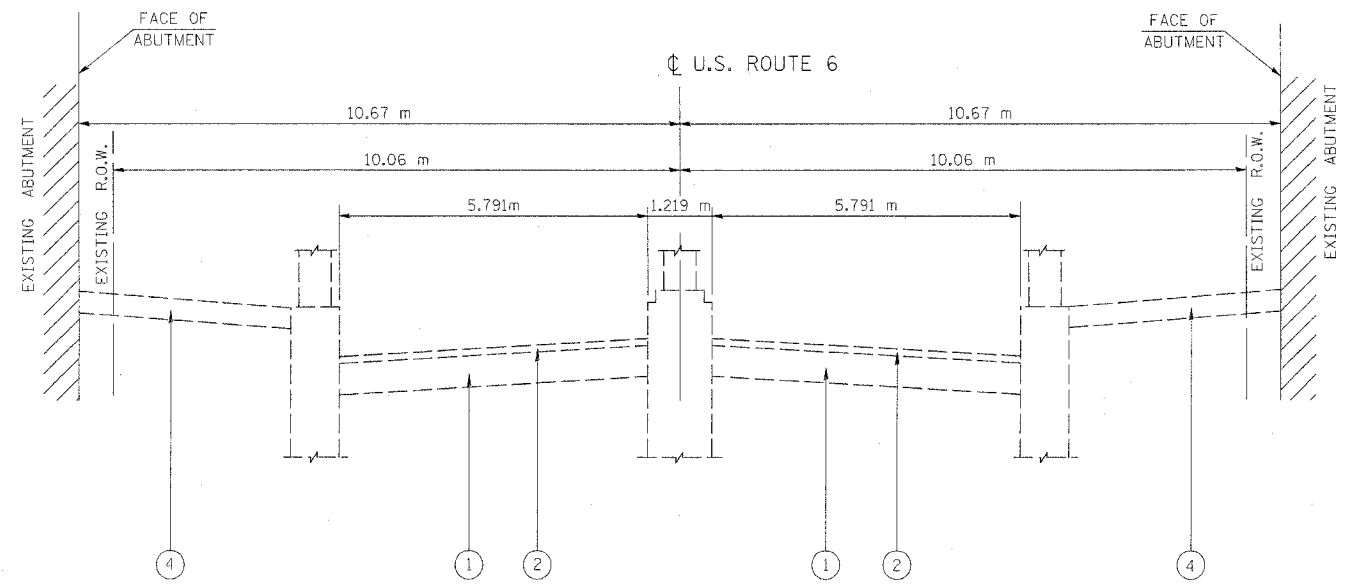
CONTRACT NO. 60E10



US ROUTE 6 (159TH STREET)
 STA. 2+769.802 TO STA. 2+803.332
 (BRIDGE STRUCTURE NO. 016-0384)

LEGEND - EXISTING

- ① EXIST. P.C.C. PAVEMENT OR P.C.C. BASE COURSE, 225-250 mm
- ② EXIST. HOT-MIX ASPHALT SURFACE, 125 mm
- ④ EXIST. P.C.C. SIDEWALK



US ROUTE 6 (159TH STREET)
 STA. 2+849.035 TO STA. 2+942.404
 (BRIDGE STRUCTURE NO. 016-0385)

REVISIONS		ILLINOIS DEPARTMENT OF TRANSPORTATION US RTE 6 FROM LEXINGTON AVE TO FISK AVE EXISTING TYPICAL SECTIONS METRA AND I.C. RR. BRIDGE STRUCTURES
NAME	DATE	

DATE 02/21/08 DRAWN BY VAP
 CHECKED BY JRP