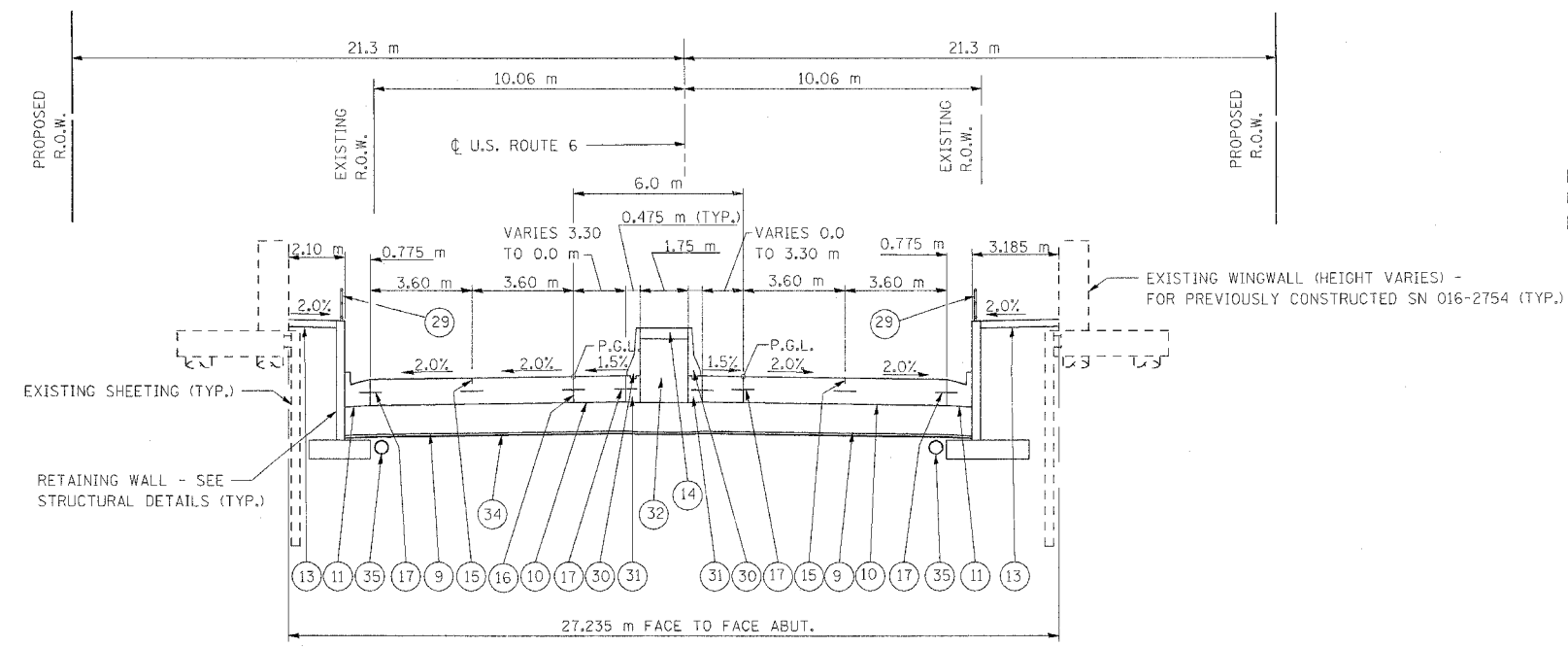


F.A.P. RTE.	SECTION	COUNTY	TOTAL SHEETS	SHEET NO.
351	2008-001VB	COOK	579	32
STA.	TO STA.			
FED. ROAD DIST. NO.	ILLINOIS	FED. AID PROJECT		
CONTRACT NO. 60E10				



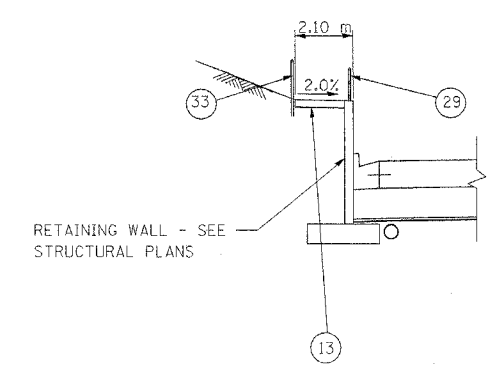
NOTE: ENGLISH STATIONING IS ALSO PROVIDED IN PARENTHESES FOR USE IN CORRELATING WITH STRUCTURE PLANS FOR BRIDGES AND RETAINING WALLS

DETAILS @ N. SIDE ARE FROM STA. 2+824.261 - STA. 2+832.796 (STA. 92+65.93 - STA. 92+93.93)
 DETAILS @ MEDIAN ARE FROM STA. 2+819.174 - STA. 2+848.633 (STA. 92+49.24 - STA. 93+45.89)
 DETAILS @ S. SIDE ARE FROM STA. 2+815.998 - STA. 2+823.313 (STA. 92+38.82 - STA. 92+62.82)

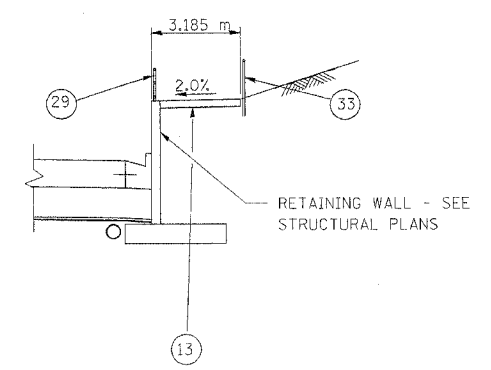
US ROUTE 6 (159TH STREET) BETWEEN STRUCTURE NO. 016-2754 & SN 016-2819

LEGEND - PROPOSED

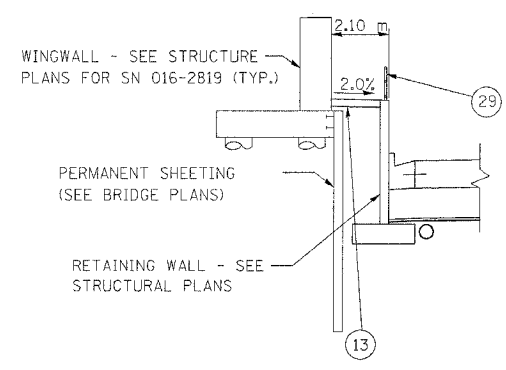
- 9 AGGREGATE SUBGRADE, 300 mm
- 10 PORTLAND CEMENT CEMENT PAVEMENT 260 mm (JOINTED)
- 11 COMBINATION CONCRETE CURB AND GUTTER, TYPE B-15.60
- 13 PORTLAND CEMENT CONCRETE SIDEWALK 125 mm
- 14 CONCRETE MEDIAN SURFACE, 150 mm
- 15 SAWED LONGITUDINAL JOINT WITH 750 mm DEFORMED EPOXY-COATED No. 19 TIE BARS @ 750mm CTS.
- 16 LONGITUDINAL CONSTRUCTION JOINT WITH 600 mm GROUDED IN PLACE DEFORMED EPOXY-COATED No. 19 TIE BARS @ 600 mm CTS.
- 17 600 mm DEFORMED EPOXY-COATED No. 19 TIE BARS @ 600 mm CTS.
- 29 BICYCLE RAILING
- 30 CONCRETE BARRIER, SINGLE FACE, 1065 mm HEIGHT (TRANSITION TOP OF BARRIER BETWEEN CONSTANT HEIGHT CRASHWALLS OF ADJACENT BRIDGE PIERS)
- 31 BARRIER BASE
- 32 COARSE AGGREGATE FILL (INCLUDED WITH COST OF CONCRETE MEDIAN SURFACE)
- 33 ACCESS CONTROL FENCING - SEE PLANS FOR INTERMODAL YARD MODIFICATION
- 34 FILTER FABRIC
- 35 PIPE UNDERDRAINS 100 mm



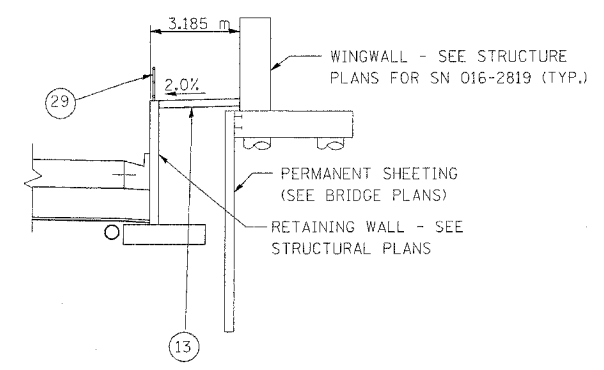
DETAILS @ N. SIDE FROM STA. 2+832.796 - STA. 2+842.814 (STA. 92+93.93 - STA. 93+26.80)



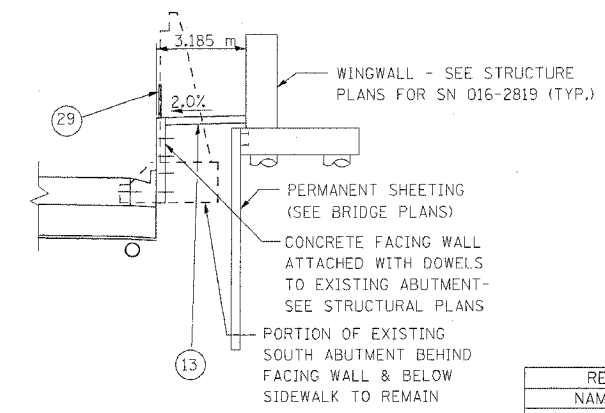
DETAILS @ S. SIDE FROM STA. 2+823.313 - STA. 2+842.814 (STA. 92+62.82 - STA. 93+26.80)



DETAILS @ N. SIDE FROM STA. 2+842.814 - STA. 2+848.834 (STA. 93+26.80 - STA. 93+46.55)



DETAILS @ S. SIDE FROM STA. 2+842.814 - STA. 2+843.144 (STA. 93+26.80 - STA. 93+27.88)



DETAILS @ S. SIDE FROM STA. 2+843.144 - STA. 2+848.834 (STA. 93+27.88 - STA. 93+46.55)

REVISIONS	
NAME	DATE

ILLINOIS DEPARTMENT OF TRANSPORTATION
 US RTE 6 FROM LEXINGTON AVE TO FISK AVE
 PROPOSED TYPICAL SECTIONS
 U. S. ROUTE 6 (159TH STREET)
 STA. 2+819.174 - STA. 2+848.633
 DATE 02/21/08
 DRAWN BY VAP
 CHECKED BY NAP