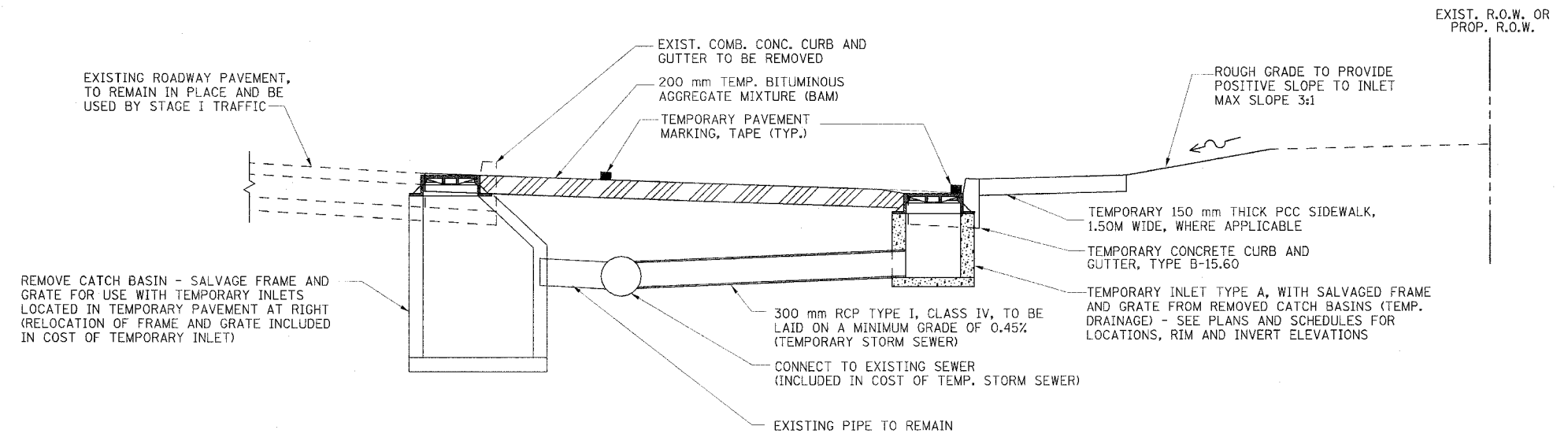
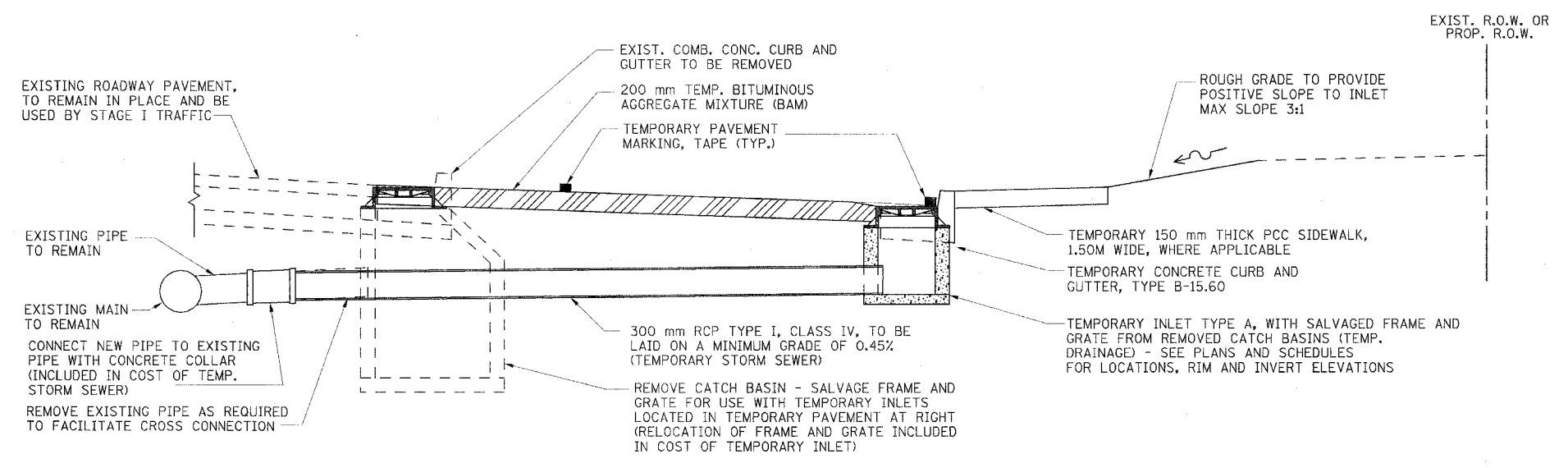


F.A.P. RTE.	SECTION	COUNTY	TOTAL SHEETS	SHEET NO.
351	2008-001VB	COOK	579	58
STA.		TO STA.		
FED. ROAD DIST. NO.	ILLINOIS	FED. AID PROJECT		
CONTRACT NO. 60E10				



TEMPORARY INLET WHERE EXISTING SEWER MAIN IS BETWEEN TEMPORARY INLET AND EXISTING STRUCTURE



TEMPORARY INLET WHERE EXISTING STRUCTURE IS BETWEEN TEMPORARY INLET AND EXISTING SEWER MAIN

URS
 100 S. WACKER DR., SUITE 500
 CHICAGO, ILLINOIS 60606
 TEL. (312) 939-1000
 FAX (312) 939-4198

REVISIONS	
NAME	DATE

ILLINOIS DEPARTMENT OF TRANSPORTATION
 US RTE 6 FROM LEXINGTON AVE TO FISK AVE
 DRAINAGE AND UTILITIES
 TEMPORARY DRAINAGE DETAILS
 MT-41
 DATE 02/21/08
 DRAWN BY MRF
 CHECKED BY JWK