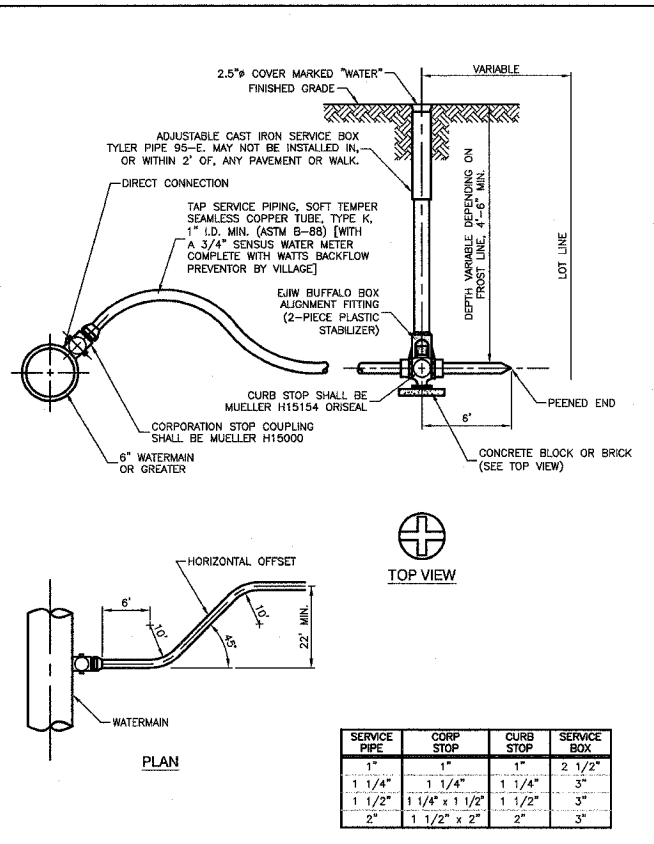


SECTION	COUNTY	TOTAL SHEETS	SHEET NO.
351	COOK	579	091
STATION		TO STA.	
FED. ROAD DIST. NO.		FED. AID PROJECT	

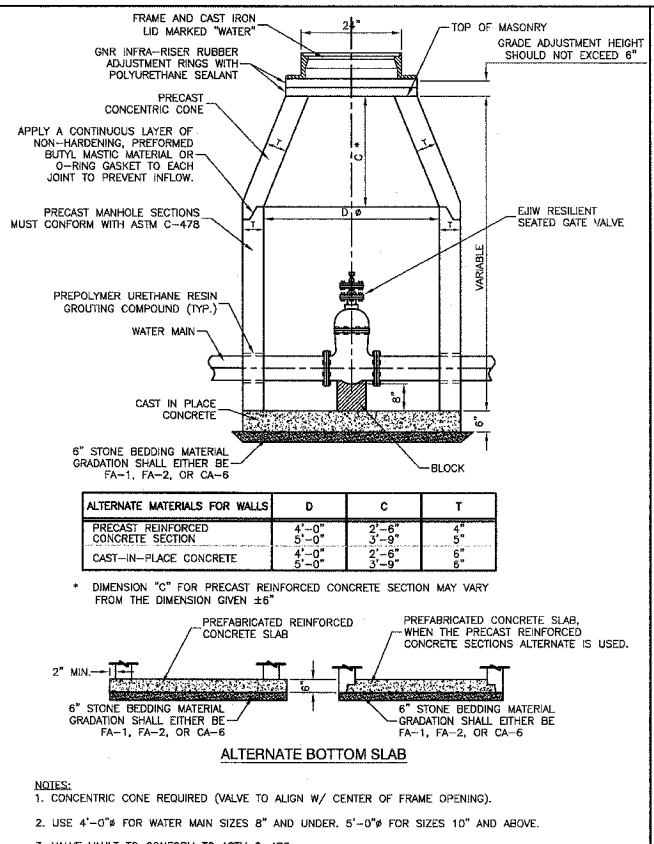
CONTRACT NO. 60E10



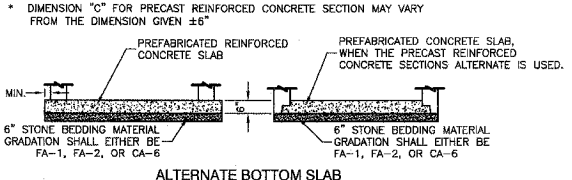
SERVICE PIPE	CURB STOP	CURB STOP	SERVICE BOX
1"	1"	1"	2 1/2"
1 1/4"	1 1/4"	1 1/4"	3"
1 1/2"	1 1/2" x 1 1/2"	1 1/2"	3"
2"	1 1/2" x 2"	2"	3"

NOTE:
1. BUFFALO BOX ON WATER SERVICE LINES SHALL BE INSTALLED IN THE CENTER OF THE LOT, IN THE PARKWAY, AND NEVER IN SIDEWALK OR DRIVEWAY.

TYPICAL WATER SERVICE INSTALLATION

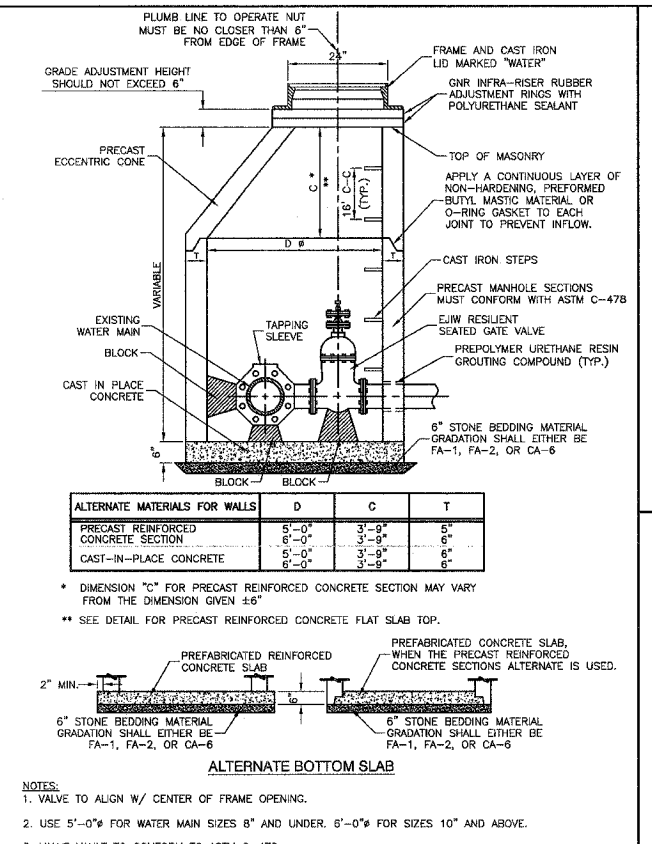


ALTERNATE MATERIALS FOR WALLS	D	C	T
PRECAST REINFORCED CONCRETE SECTION	4'-0"	2'-6"	4"
	5'-0"	3'-9"	5"
CAST-IN-PLACE CONCRETE	4'-0"	2'-6"	5"
	5'-0"	3'-9"	6"

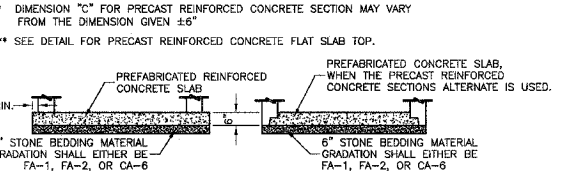


NOTES:
1. CONCENTRIC CONE REQUIRED (VALVE TO ALIGN W/ CENTER OF FRAME OPENING).
2. USE 4'-0" FOR WATER MAIN SIZES 8" AND UNDER, 5'-0" FOR SIZES 10" AND ABOVE.
3. VALVE VAULT TO CONFORM TO ASTM C-478.
4. ALL VALVES SHALL BE EAST JORDAN IRON WORKS RESILIENT SEATED GATE VALVES.
5. ALL VALVES SHALL OPEN COUNTER CLOCKWISE AND CLOSE CLOCKWISE WITH NON-RISING STEM.
6. PROVIDE CA-6 AGGREGATE BACKFILL MATERIAL AROUND VAULT TO SUB-GRADE ELEVATION; IN PAVED AREAS.

VALVE IN VAULT DETAIL

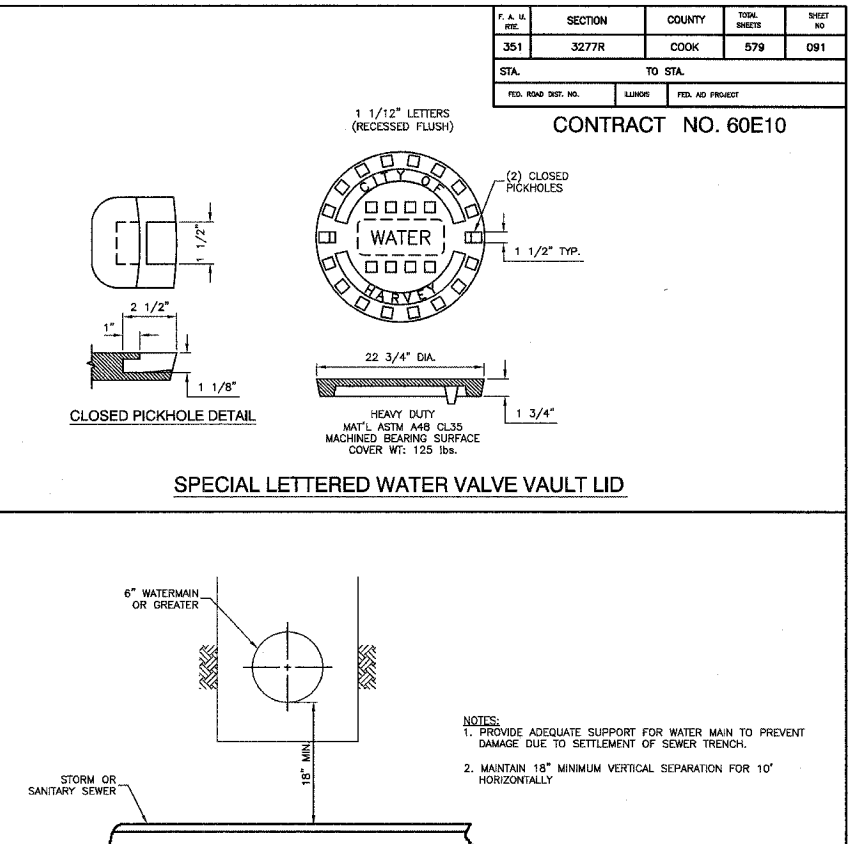


ALTERNATE MATERIALS FOR WALLS	D	C	T
PRECAST REINFORCED CONCRETE SECTION	5'-0"	3'-9"	5"
	6'-0"	3'-9"	6"
CAST-IN-PLACE CONCRETE	5'-0"	3'-9"	6"
	6'-0"	3'-9"	6"

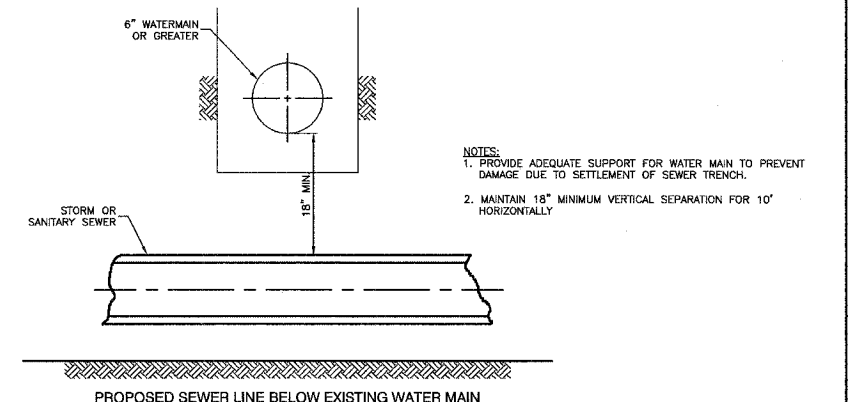


NOTES:
1. VALVE TO ALIGN W/ CENTER OF FRAME OPENING.
2. USE 5'-0" FOR WATER MAIN SIZES 8" AND UNDER, 6'-0" FOR SIZES 10" AND ABOVE.
3. VALVE VAULT TO CONFORM TO ASTM C-478.
4. ALL VALVES SHALL BE EAST JORDAN IRON WORKS RESILIENT SEATED GATE VALVES.
5. ALL VALVES SHALL OPEN COUNTER CLOCKWISE AND CLOSE CLOCKWISE WITH NON-RISING STEM.
6. PROVIDE CA-6 AGGREGATE BACKFILL MATERIAL AROUND VAULT TO SUB-GRADE ELEVATION; IN PAVED AREAS.

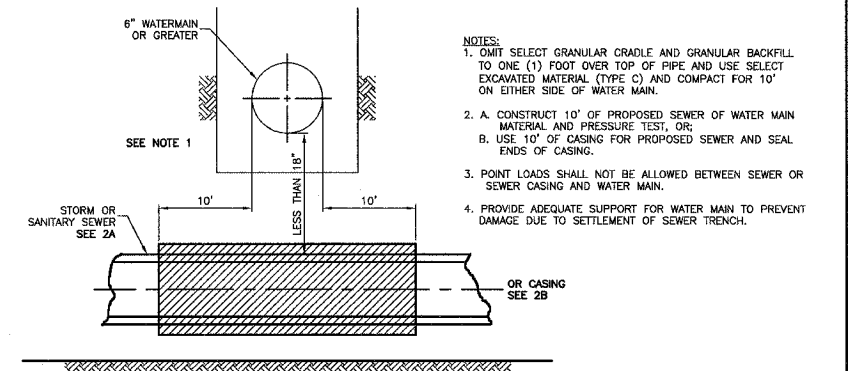
VALVE IN VAULT DETAIL FOR PRESSURE CONNECTION



SPECIAL LETTERED WATER VALVE VAULT LID

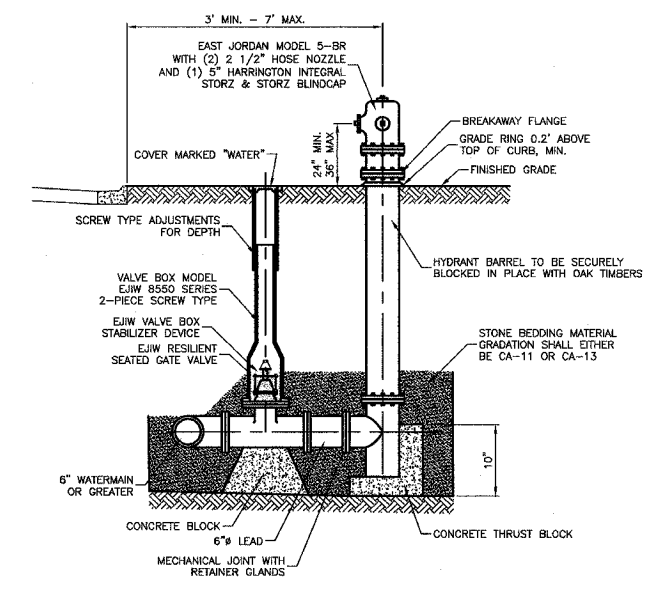


PROPOSED SEWER LINE BELOW EXISTING WATER MAIN WITH 18" MINIMUM SEPARATION



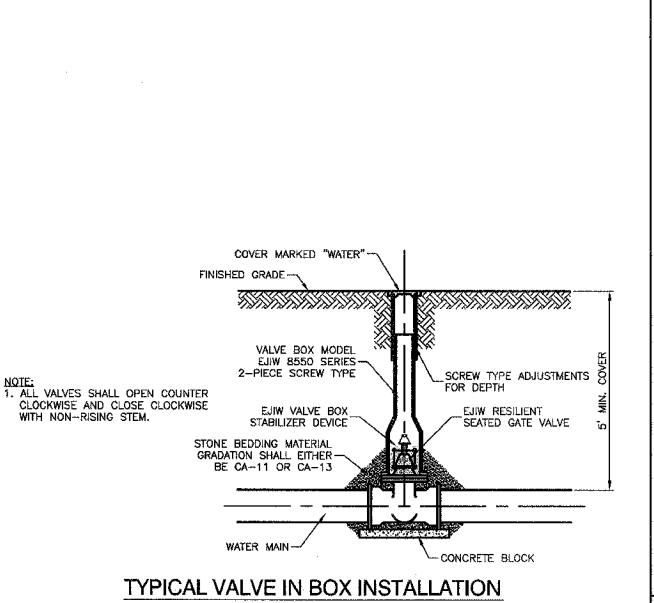
PROPOSED SEWER LINE BELOW EXISTING WATER MAIN WITH LESS THAN 18" MINIMUM SEPARATION

WATER AND SEWER SEPARATION REQUIREMENTS



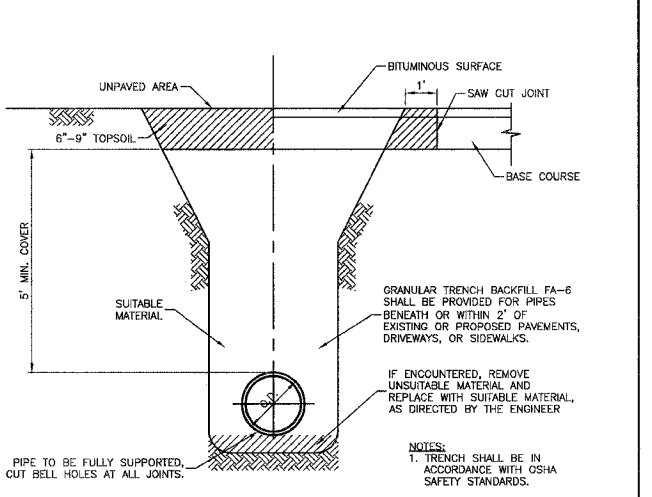
NOTES:
1. HYDRANTS SHALL BE INSTALLED FACING TOWARD THE CURB. NO HYDRANT SHALL BE INSTALLED WITHIN 48" OF ANY OBSTRUCTION NOR SHALL ANY OBSTRUCTION BE PLACED WITHIN 48" OF A HYDRANT. ALL HYDRANTS AND VALVE BOX COVERS SHALL BE PAINTED SAFETY RED BY THE MANUFACTURER.
2. ALL VALVES SHALL OPEN COUNTER CLOCKWISE AND CLOSE CLOCKWISE WITH NON-RISING STEM.
3. HYDRANT DRAIN HOLE SHALL BE FREE OF CONCRETE.

FIRE HYDRANT INSTALLATION



NOTE:
1. ALL VALVES SHALL OPEN COUNTER CLOCKWISE AND CLOSE CLOCKWISE WITH NON-RISING STEM.

TYPICAL VALVE IN BOX INSTALLATION



TRENCH BACKFILL DETAIL FOR WATERMAIN

PREPARED BY OR UNDER THE DIRECT SUPERVISION OF:

Edward J. Tomalis
12/20/2008



REVISIONS	
NAME	DATE

ILLINOIS DEPARTMENT OF TRANSPORTATION
PROPOSED WATERMAIN RELOCATION
STANDARD DETAILS

SCALE: VERT. NONE
HORIZ. NONE
DATE: 2/20/08
DRAWN BY: PS
CHECKED BY: EJT