

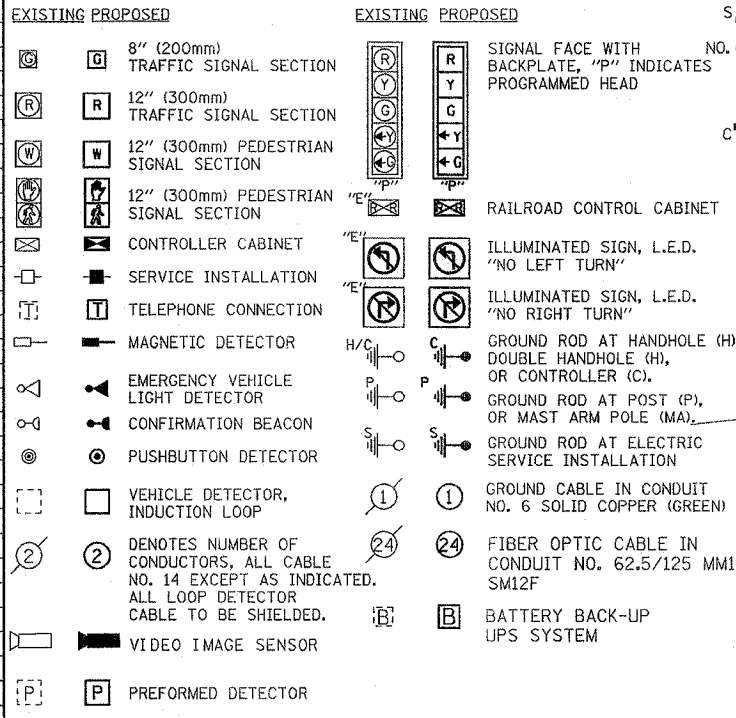
F.A. RTE.	SECTION	COUNTY	TOTAL SHEETS	SHEET NO.
351	3277R	COOK	579	144
STA.	TO STA.			
FED. ROAD DIST. NO.	ILLINOIS	FED. AID PROJECT		

60E10

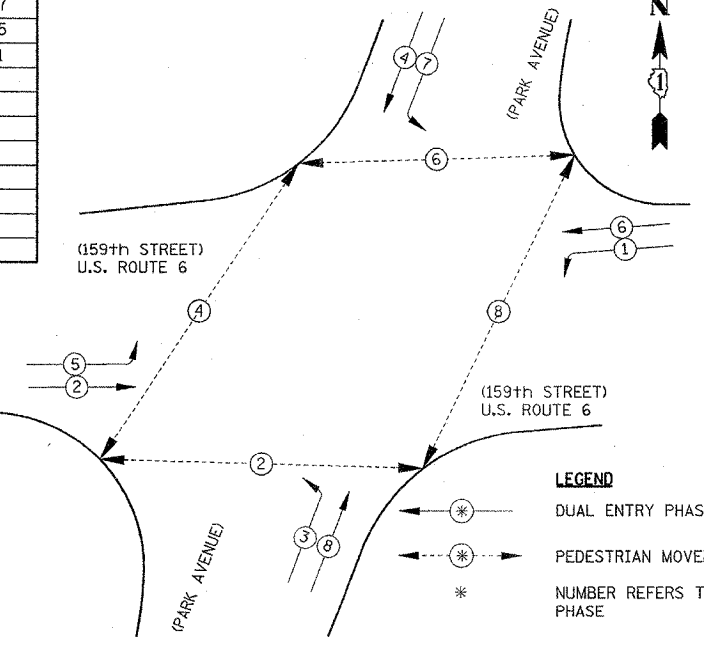
SCHEDULE OF QUANTITIES

PAY ITEM	UNIT	QTY.
HANDHOLE	EACH	8
HEAVY-DUTY HANDHOLE	EACH	2
DOUBLE HANDHOLE	EACH	1
FULL-ACTUATED CONTROLLER AND TYPE IV CABINET	EACH	1
TRANSCEIVER-FIBER OPTIC	EACH	1
TRAFFIC SIGNAL BACKPLATE	EACH	8
INDUCTIVE LOOP DETECTOR	EACH	9
LIGHT DETECTOR	EACH	2
LIGHT DETECTOR AMPLIFIER	EACH	1
PEDESTRIAN PUSH-BUTTON	EACH	7
TEMPORARY TRAFFIC SIGNAL INSTALLATION	EACH	1
REMOVE EXISTING TRAFFIC SIGNAL EQUIPMENT	EACH	1
REMOVE EXISTING HANDHOLE	EACH	5
REMOVE EXISTING CONCRETE FOUNDATION	EACH	8
SIGN PANEL - TYPE 1	SQ M	1.12
SIGN PANEL - TYPE 2	SQ M	2.1
CONDUIT IN TRENCH, 50MM DIA., GALVANIZED STEEL	METER	158
CONDUIT IN TRENCH, 65MM DIA., GALVANIZED STEEL	METER	35
CONDUIT PUSHED, 100MM DIA., GALVANIZED STEEL	METER	89
TRENCH AND BACKFILL FOR ELECTRICAL WORK	METER	226
ELECTRIC CABLE IN CONDUIT, SIGNAL NO. 14 2C	METER	435
ELECTRIC CABLE IN CONDUIT, SIGNAL NO. 14 3C	METER	470
ELECTRIC CABLE IN CONDUIT, SIGNAL NO. 14 5C	METER	297
ELECTRIC CABLE IN CONDUIT, SIGNAL NO. 14 7C	METER	520
ELECTRIC CABLE IN CONDUIT, LEAD-IN, NO 4 1 PAIR	METER	210
ELECTRIC CABLE IN CONDUIT, SERVICE, NO. 6 2C	METER	26
TRAFFIC SIGNAL POST, GALVANIZED STEEL 4.85 METER	EACH	3
STEEL COMBINATION MAST ARM ASSEMBLY AND POLE 8.53 METER	EACH	1
STEEL COMBINATION MAST ARM ASSEMBLY AND POLE 9.75 METER	EACH	1
STEEL COMBINATION MAST ARM ASSEMBLY AND POLE 10.36 METER	EACH	1
STEEL COMBINATION MAST ARM ASSEMBLY AND POLE 11.58 METER	EACH	1
CONCRETE FOUNDATION, TYPE A	METER	3.6
CONCRETE FOUNDATION, TYPE C	METER	1.2
CONCRETE FOUNDATION, TYPE E 750 MM DIAMETER	METER	18.4
PREFORMED DETECTOR LOOP	METER	837
ELECTRIC CABLE IN CONDUIT, GROUNDING, NO. 6 1C	METER	385
ELECTRIC CABLE IN CONDUIT, NO. 20 3/C, TWISTED, SHIELDED	METER	101
SERVICE INSTALLATION, POLE MOUNT	EACH	1
SIGNAL HEAD, LED, 1-FACE, 3-SECTION, MAST ARM MOUNTED	EACH	4
SIGNAL HEAD, LED, 1-FACE, 5-SECTION, BRACKET MOUNTED	EACH	4
SIGNAL HEAD, LED, 1-FACE, 5-SECTION, MAST ARM MOUNTED	EACH	4
PEDESTRIAN SIGNAL HEAD, LED, 1-FACE, BRACKET MOUNTED	EACH	6
PEDESTRIAN SIGNAL HEAD, LED, 2-FACE BRACKET MOUNTED	EACH	1
BATTERY BACK-UP UPS SYSTEM	EACH	1
TEMPORARY TRAFFIC SIGNAL TIMING	EACH	1

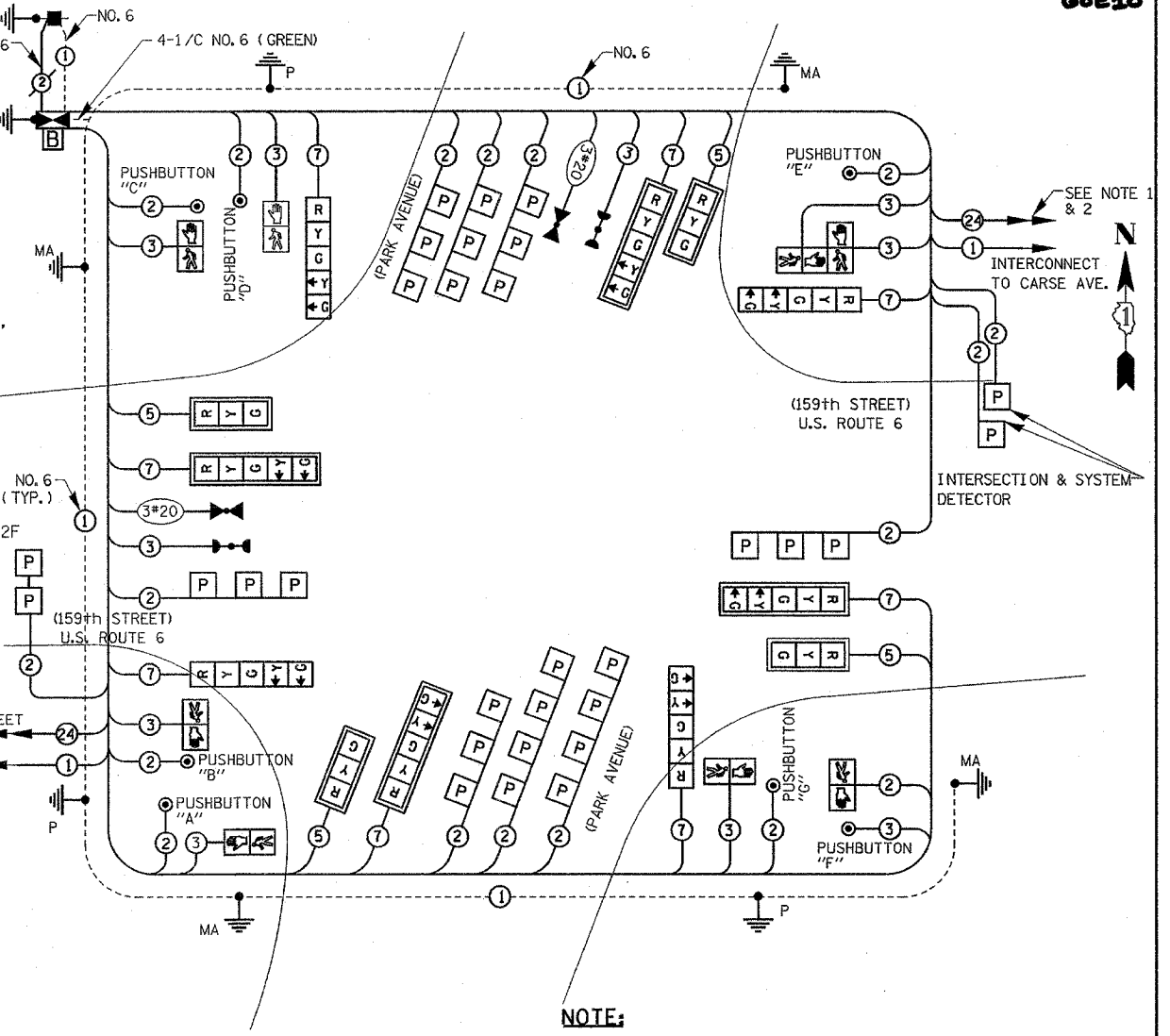
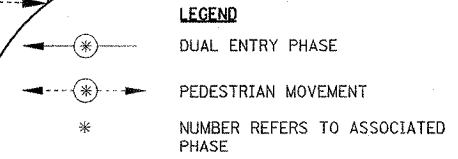
CABLE PLAN LEGEND



CONTROLLER SEQUENCE



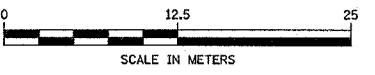
PHASE DESIGNATION DIAGRAM



PROPOSED EMERGENCY VEHICLE PREEMPTOR		
VEHICLE EMERGENCY PREEMPTOR	3	4
MOVEMENT	← →	↑ ↓

**NOTE:**  
 PUSHBUTTON "A" & "G" SHALL PLACE A CALL IN PHASE 2  
 PUSHBUTTON "B" & "C" SHALL PLACE A CALL IN PHASE 4  
 PUSHBUTTON "D" & "E" SHALL PLACE A CALL IN PHASE 6  
 PUSHBUTTON "E" & "F" SHALL PLACE A CALL IN PHASE 8

**NOTES:**  
 1. THE FIBER CABLE WILL BE INSTALLED FROM PARK AVE TO CARSE AVE BUT NOT CONNECTED AT THE CONTROLLERS.  
 2. INTERCONNECT SYSTEM WIRING TO BE PULLED BY CONTRACT 60774 CONTRACTOR.



I.D.O.T. TRAFFIC SIGNAL INSTALLATION ELECTRICAL SERVICE REQUIREMENTS					TOTAL WATTAGE
TYPE	NO. LAMPS	WATTAGE (INCAND.)	LED	% OPERATION	
SIGNAL (RED)	12	135	17	0.50	102.00
(YELLOW)	12	135	25	0.25	75.00
(GREEN)	12	135	15	0.25	45.00
ARROW	16	135	12	0.10	19.20
PED. SIGNAL	8	90	25	1.00	200.0
CONTROLLER	1	100	100	1.00	100.00
ILLUM. SIGN		84		0.05	
FLASHER				0.50	
TOTAL =					541.20

ENERGY COSTS TO:  
 ILLINOIS DEPARTMENT OF TRANSPORTATION  
 201 WEST CENTER COURT  
 SCHAMBURG, ILLINOIS 60196-1096  
 CONTACT: MIKE LYNCH  
 PHONE: (847) 816-5331  
 COMPANY: COM. EDISON

FOUNDATION (DEPTH)	FT. (m)	CABLE SLACK	FT. (m)	VERTICAL	FT. (m)
TYPE A - POST	4 (1.2)	HANDHOLE	6.5 (2.0)	ALL FOUNDATIONS	3.5 (1.0)
D - CONTROLLER	4 (1.2)	DOUBLE HANDHOLE	13 (4.0)	MAST ARM (L) POLE	20'+L-2=
E - M. ARM POLE		SIGNAL POST	2 (1.0)	(6m+L-0.6m)=	
24" (600mm)	10 (3.0)	CONTROLLER CAB.	1 (0.5)	BRACKET MOUNTED	13 (4.0)
30" (750mm)	15 (4.6)	FIBER OPTIC	13 (4.0)	PED. PUSHBUTTON	4 (1.2)
		ELECTRIC SERVICE	1 (0.5)	ELECTRIC SERVICE	13.5 (4.1)
		GROUND CABLE	1 (0.5)	SERVICE TO GROUND	13.5 (4.1)
				POST MOUNTED	6 (1.8)

**NOTE:**  
 THE TRAFFIC SIGNAL CONTROLLER EQUIPMENT FOR THIS PROJECT SHALL BE "EAGLE" TO MATCH THE EXISTING ADJACENT SYSTEM.

Delta Engineering, Inc.  
 CONSULTING ENGINEERS, CHICAGO, ILLINOIS

REVISIONS	
NAME	DATE

ILLINOIS DEPARTMENT OF TRANSPORTATION  
 US RTE 6 FROM I-294 TO IL RTE 1  
 SCHEDULE OF QUANTITIES AND CABLE PLAN  
 US RTE 6 & PARK AVENUE  
 SCALE: 1:250  
 DATE 03/19/07  
 DRAWN BY DK  
 CHECKED BY JA