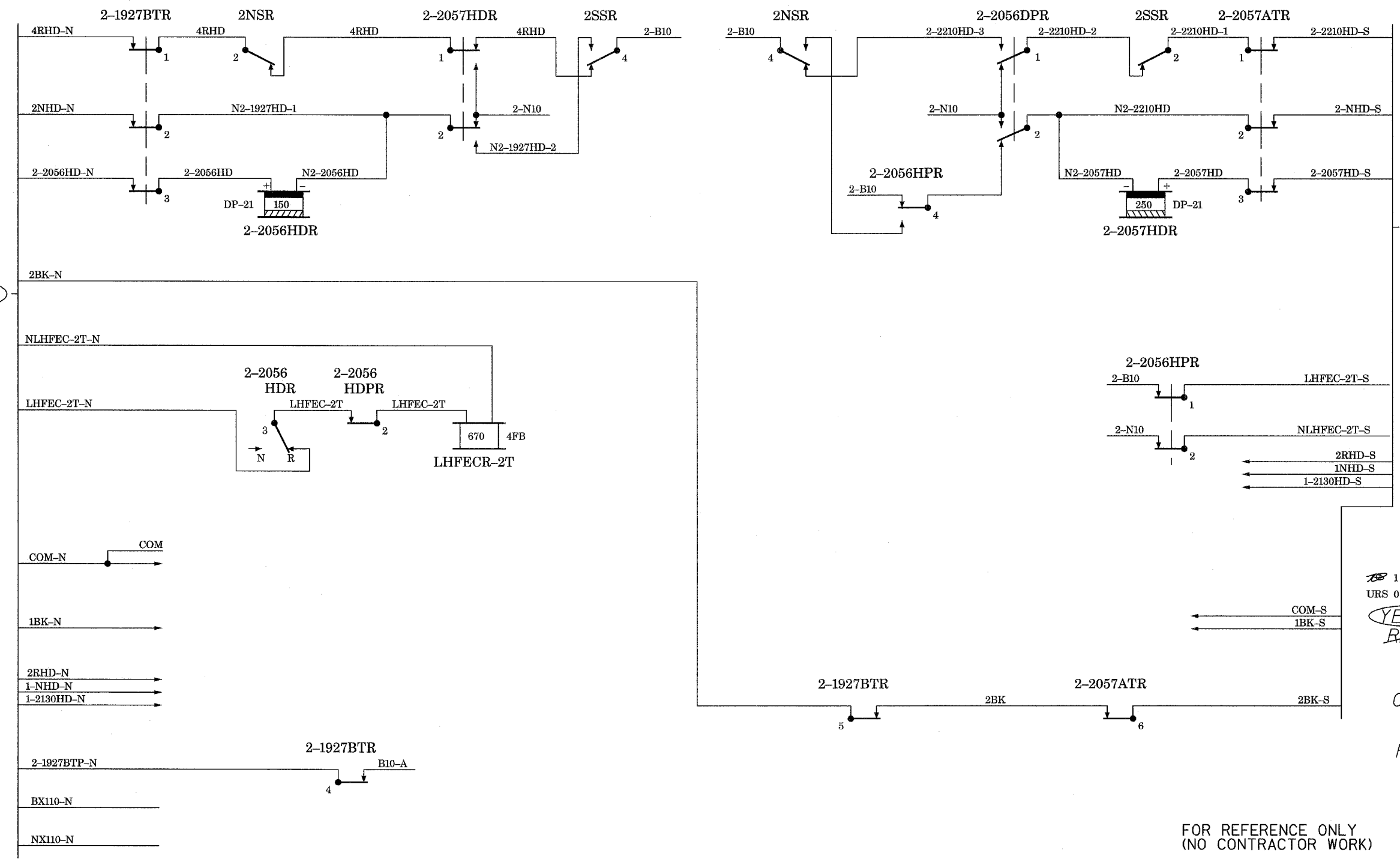


ROUTE NO.	SECTION	COUNTY	TOTAL SHEETS	SHEET NO.
F.A.P. 351	2008-001VB	COOK	579	277
STA.		TO STA.		
FED. ROAD DIST. NO. 7		ILLINOIS	FED. AID PROJECT	
CONTRACT NO. 60E10				

4/14/2008 11:43:53 AM



NORTH IN
1914 UGC
NORTH IN
3044 UGC

SOUTH IN
1914 UGC
SOUTH IN
3044 UGC

11/30/06 OK
URS 04/07/08 OK

YELLOW - IN
RED - OUT

CREW
05/01/08

PHASE 1

FOR REFERENCE ONLY
(NO CONTRACTOR WORK)

REVISIONS	
NAME	DATE

ILLINOIS DEPARTMENT OF TRANSPORTATION
US RTE 6 FROM I-294 TO IL RTE 1
METRA OVER 159TH STREET

METRA SIGNALS
PHASE 1 (PRESTAGE) CASE 20.56 SH. 2

SHT. 56-10 OF 56-36
DATE 4/11/2008

DRAWN BY AB
CHECKED BY MAD

q:\17049\signal work for metra\plans\10_ref.dgn