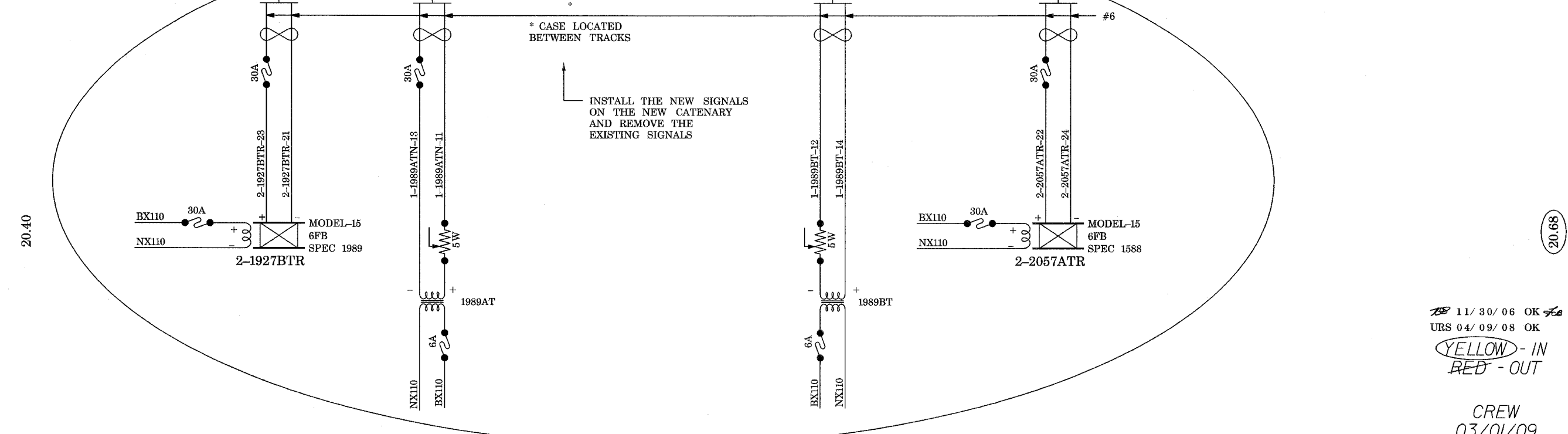
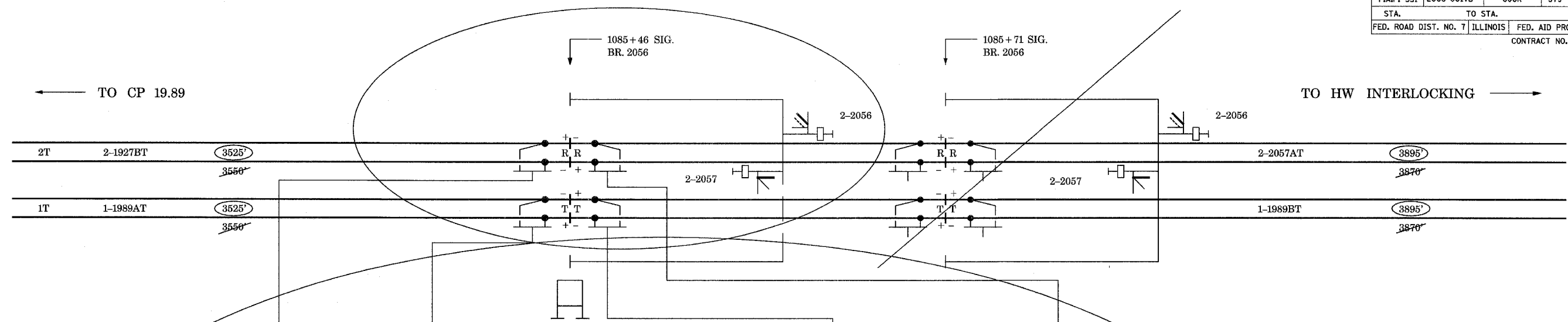


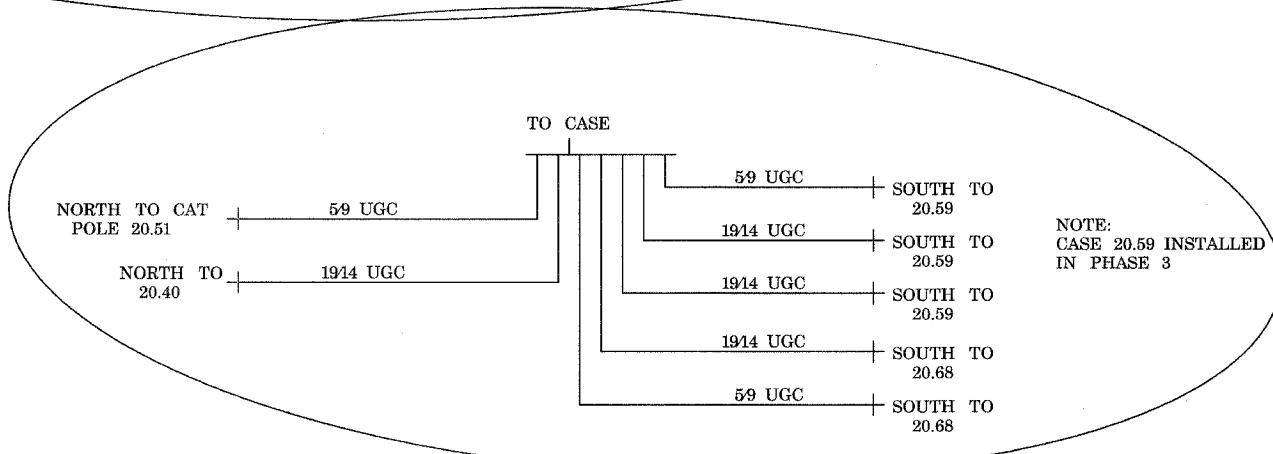
ROUTE NO.	SECTION	COUNTY	TOTAL SHEETS	SHEET NO
F.A.P. 351	2008-001VB	COOK	579	283
STA.	TO STA.			
FED. ROAD DIST. NO. 7	ILLINOIS	FED. AID PROJECT		
CONTRACT NO. 60E10				

4/14/2008 11:43:56 AM



* CASE LOCATED BETWEEN TRACKS

INSTALL THE NEW SIGNALS ON THE NEW CATENARY AND REMOVE THE EXISTING SIGNALS



NOTE: CASE 20.59 INSTALLED IN PHASE 3

11/30/06 OK
 URS 04/09/08 OK
 YELLOW - IN
 RED - OUT

CREW
 03/01/09

PHASE 2

FOR REFERENCE ONLY
 (METRA WORK USING CONTRACTOR-SUPPLIED MATERIALS)

REVISIONS	
NAME	DATE

ILLINOIS DEPARTMENT OF TRANSPORTATION
 US RTE 6 FROM I-294 TO IL RTE 1
 METRA OVER 159TH STREET

METRA SIGNALS
 PHASE 2 (SIG. RELOC.) CASE 20.56 SH.1

SHT. SG-16 OF SG-36
 DATE 4/11/2008

DRAWN BY AB
 CHECKED BY MAD

c:\17049\signal work for metra\plans\16_ref.dgn