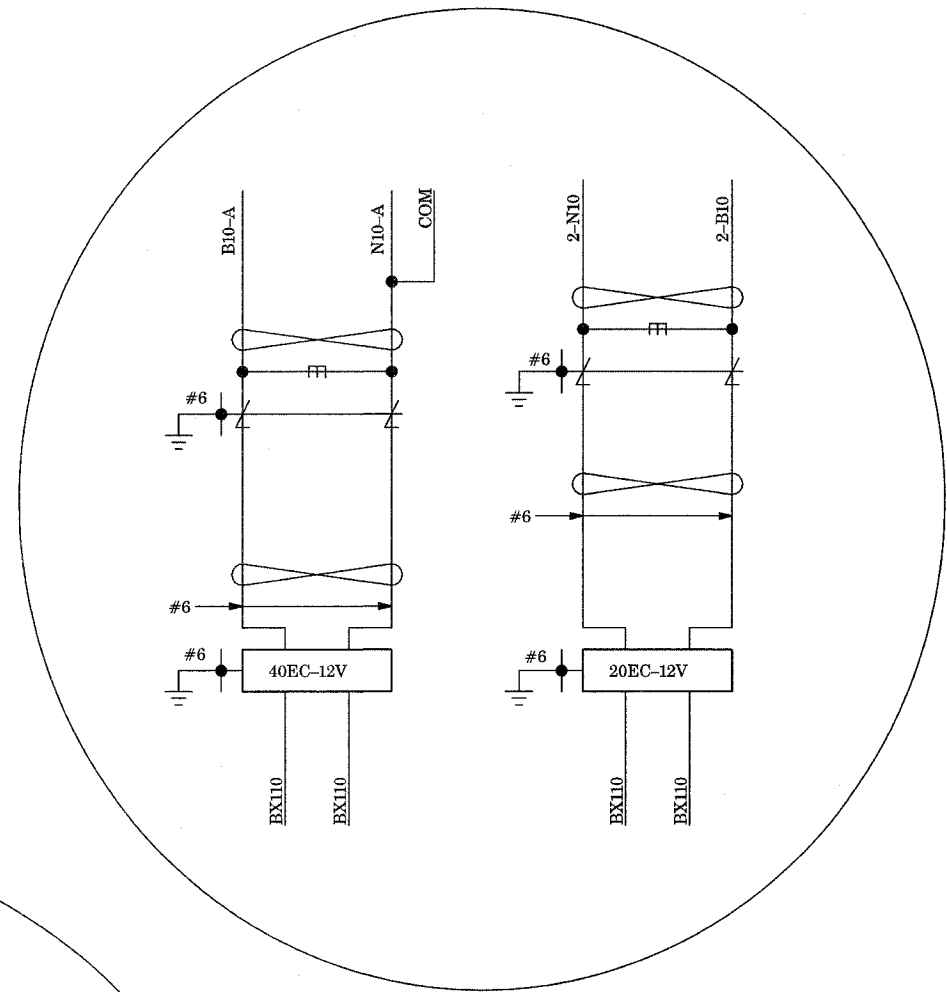
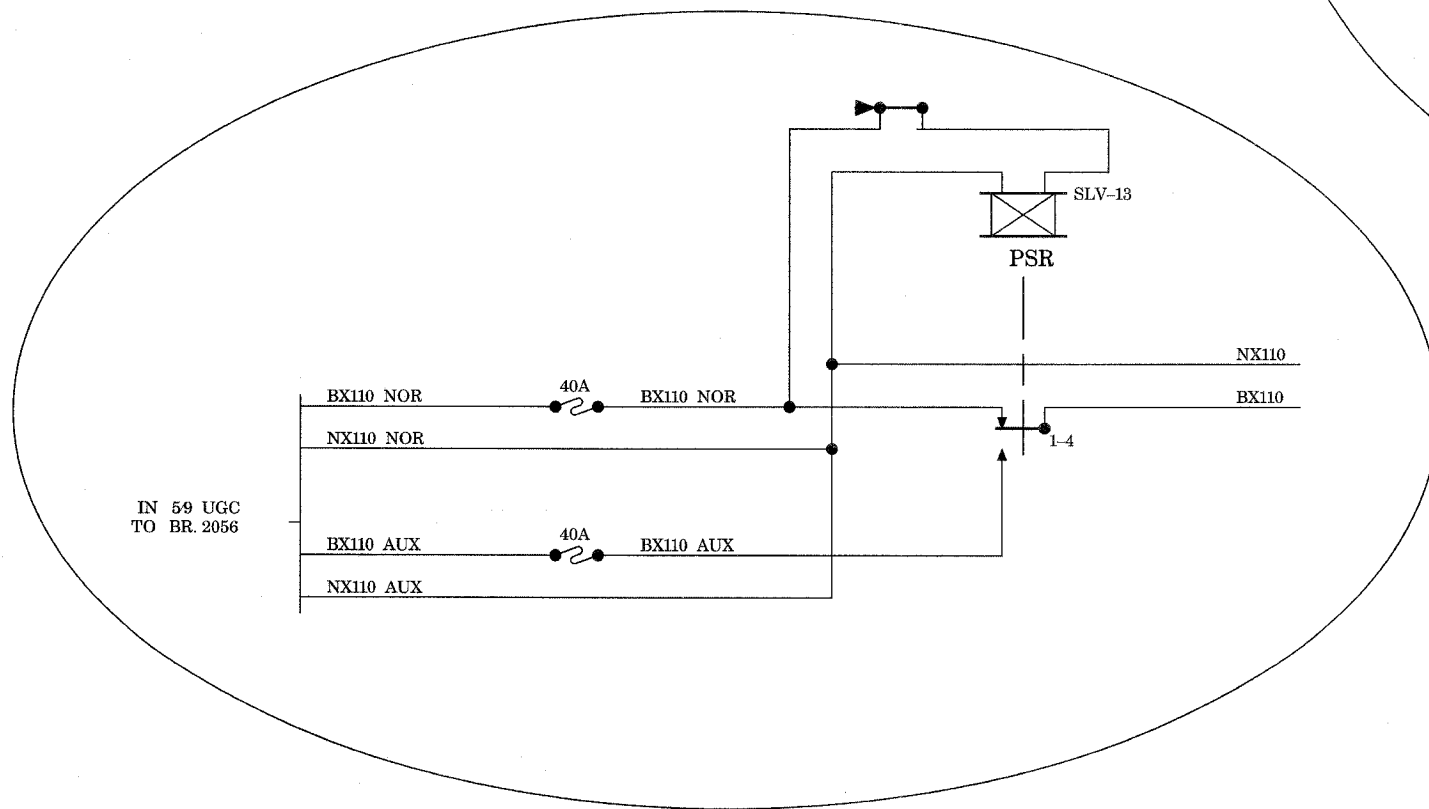


ROUTE NO.	SECTION	COUNTY	TOTAL SHEETS	SHEET NO
F.A.P. 351	2008-001VB	COOK	579	286
STA.		TO STA.		
FED. ROAD DIST. NO. 7		ILLINOIS	FED. AID PROJECT	
CONTRACT NO. 60E10				

4/14/2008 11:43:58 AM

ct:\17049\069\signal\work for metro\plans\19\_ref.dgn



11/30/06 OK

URS 11/30/06 OK

YELLOW - IN  
RED - OUT

CREW  
03/01/09

PHASE 2

FOR REFERENCE ONLY  
(METRA WORK USING  
CONTRACTOR-SUPPLIED MATERIALS)

REVISIONS	
NAME	DATE

ILLINOIS DEPARTMENT OF TRANSPORTATION  
US RTE 6 FROM I-294 TO IL RTE 1  
METRA OVER 159TH STREET

METRA SIGNALS  
PHASE 2 (SIG. RELOC.) CASE 20.56 SH.4

SHT. 56-19 OF 56-36  
DATE 4/11/2008

DRAWN BY AB  
CHECKED BY MAD