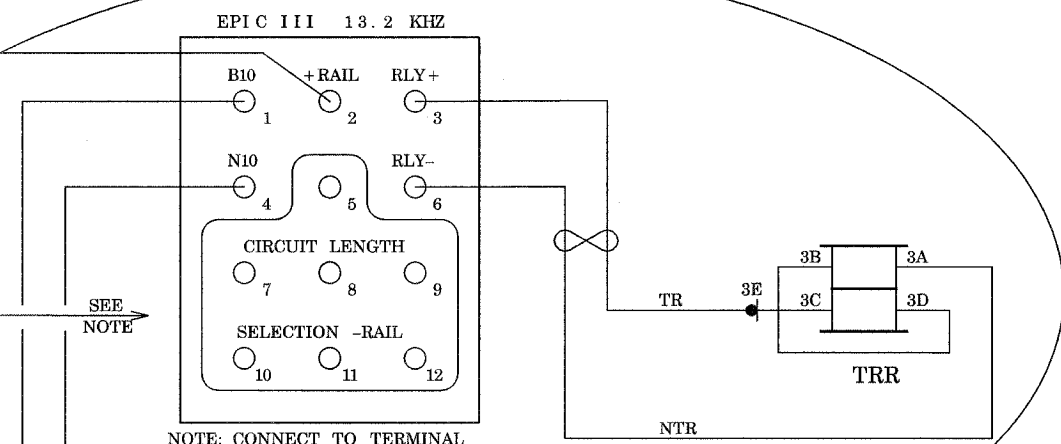
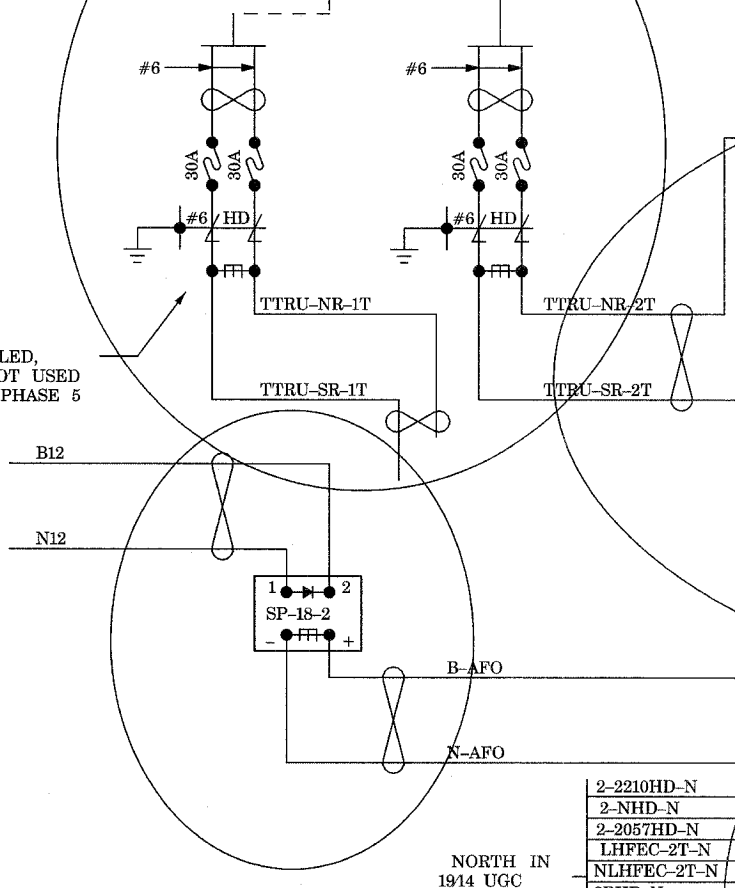
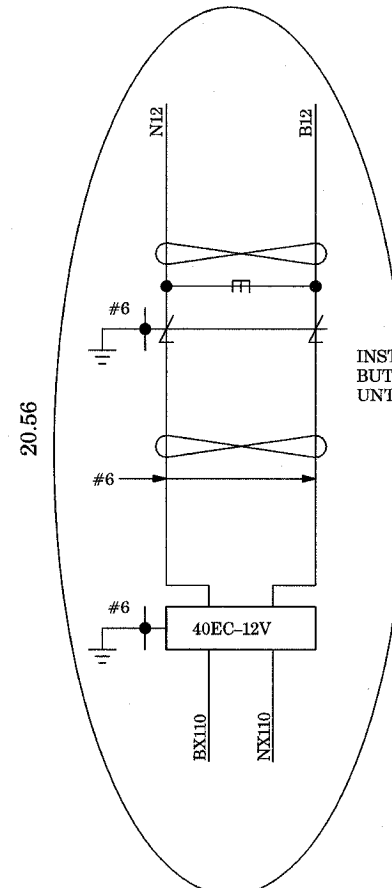
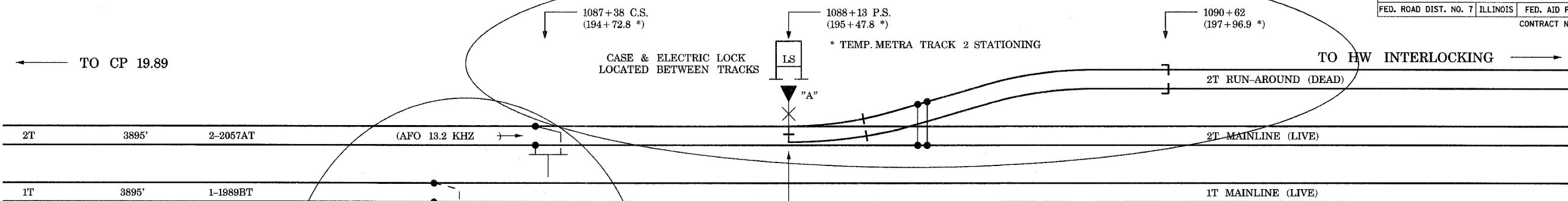
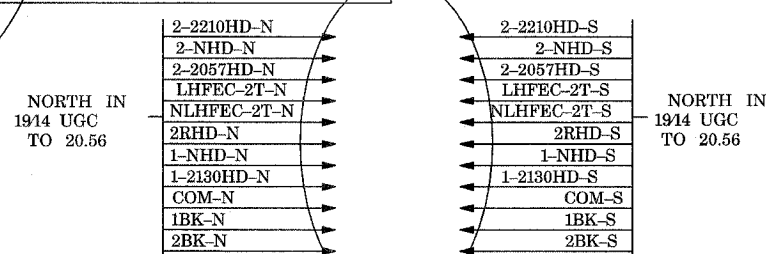


ROUTE NO.	SECTION	COUNTY	TOTAL SHEETS	SHEET NO
F.A.P. 351	2008-001VB	COOK	579	290
STA.	TO STA.		FED. AID PROJECT	
FED. ROAD DIST. NO. 7	ILLINOIS		CONTRACT NO. 60E10	



NOTE: CONNECT TO TERMINAL 5, 7, 8, 9, 10, 11, OR 12 TO SET LENGTH OF SHUNT ZONE.



URS 04/10/08 OK

YELLOW - IN  
RED - OUT

CREW  
07/15/09

PHASE 3

FOR REFERENCE ONLY  
(METRA WORK USING CONTRACTOR-SUPPLIED MATERIALS)

REVISIONS	
NAME	DATE

ILLINOIS DEPARTMENT OF TRANSPORTATION  
US RTE 6 FROM I-294 TO IL RTE 1  
METRA OVER 159TH STREET

METRA SIGNALS  
PHASE 3 (STAGE 1) CASE 20.59 SH. 1

SHT. SG-23 OF SG-36  
DATE 4/11/2008  
DRAWN BY AB  
CHECKED BY MAD

4/14/2008 11:43:59 AM

c:\17049\069\signal work for metra\plans\23\_ref.dgn