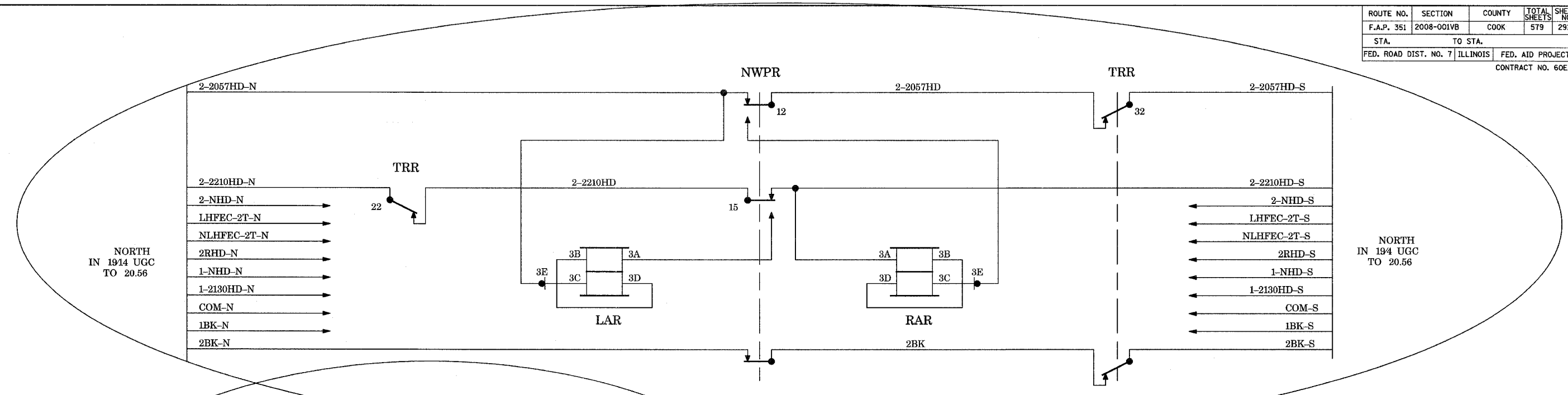


ROUTE NO.	SECTION	COUNTY	TOTAL SHEETS	SHEET NO.
F.A.P. 351	2008-001VB	COOK	579	291
STA.	TO STA.		FED. AID PROJECT	
FED. ROAD DIST. NO. 7	ILLINOIS		CONTRACT NO. 60E10	

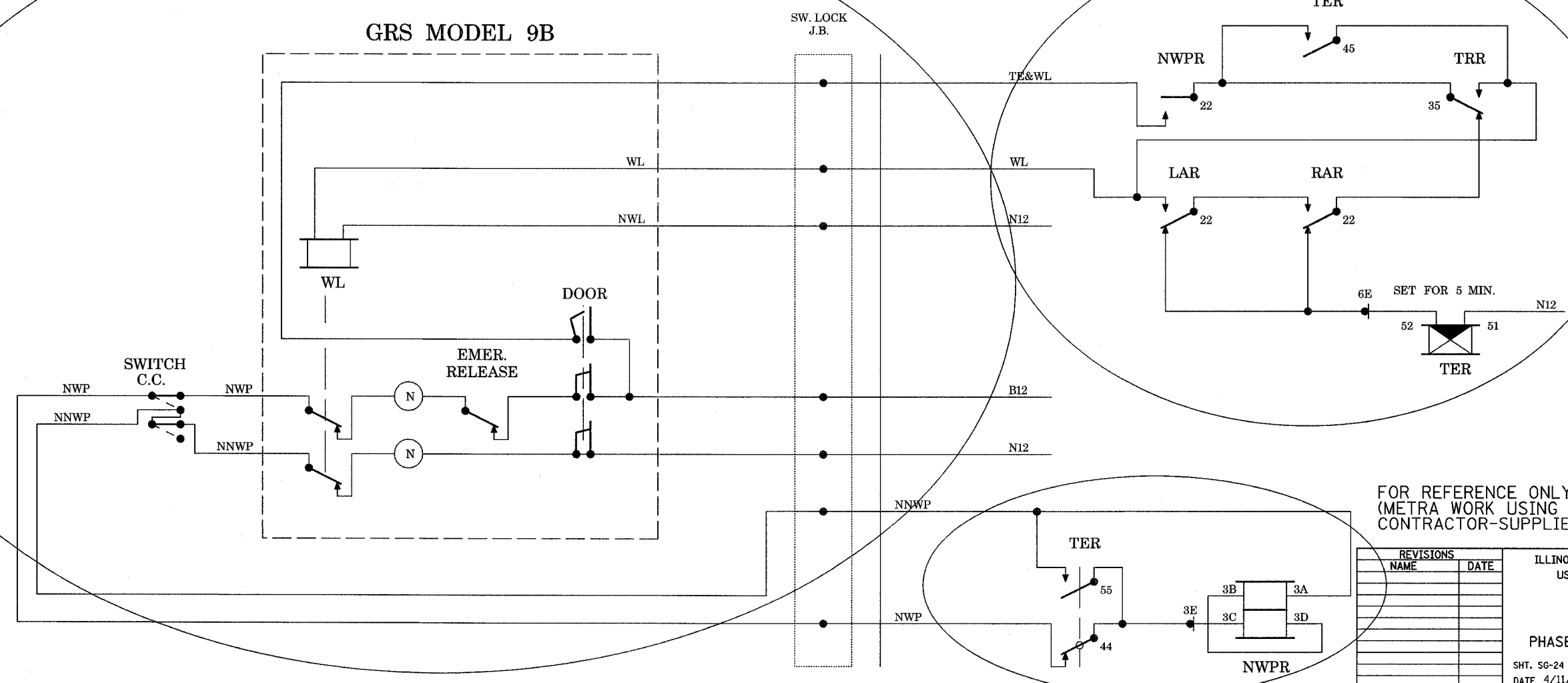
4/14/2008 11:44:00 AM



NORTH
IN 194 UGC
TO 20.56

NORTH
IN 194 UGC
TO 20.56

GRS MODEL 9B



THIS SHEET
ALL NEW

CREW
07/15/09

FOR REFERENCE ONLY
(METRA WORK USING
CONTRACTOR-SUPPLIED MATERIALS)

REVISIONS	
NAME	DATE

ILLINOIS DEPARTMENT OF TRANSPORTATION
US RTE 6 FROM I-294 TO IL RTE 1
METRA OVER 159TH STREET

METRA SIGNALS
PHASE 3 (STAGE 1) CASE 20.59 SH.2

SHT. 56-24 OF 56-36
DATE 4/11/2008

DRAWN BY AB
CHECKED BY MAD

q:\17049\069\signal work for metra\plans\24_ref.dgn