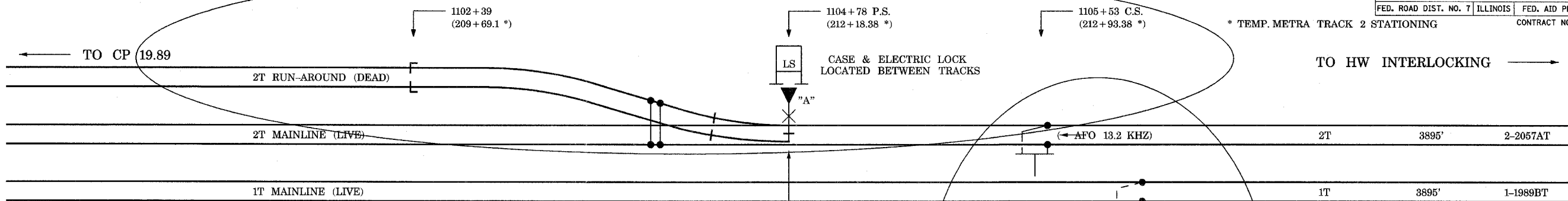
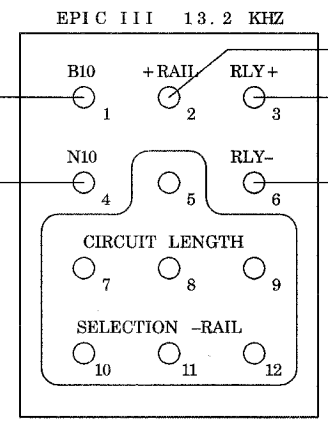
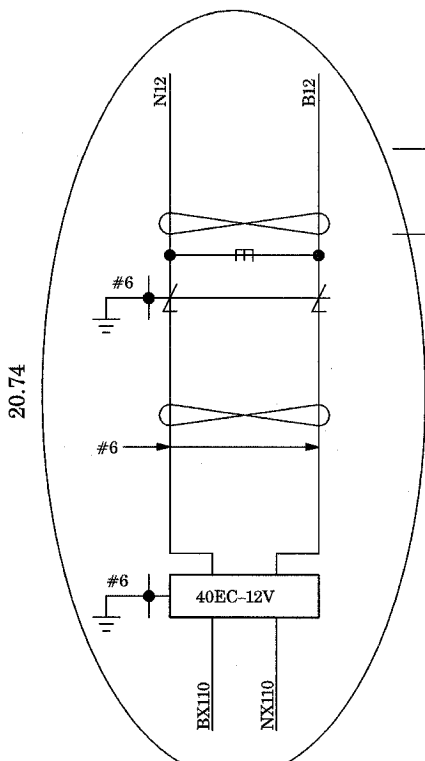


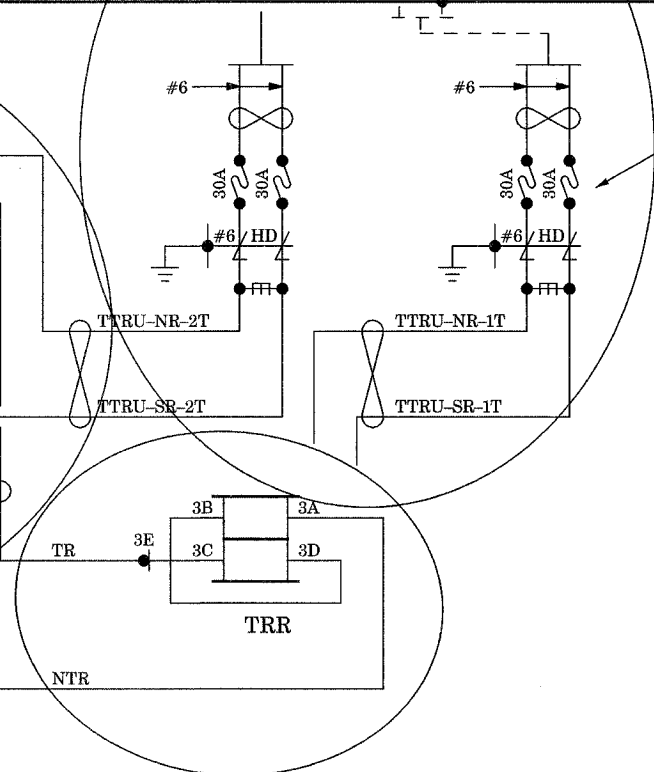
ROUTE NO.	SECTION	COUNTY	TOTAL SHEETS	SHEET NO.
F.A.P. 351	2008-001VB	COOK	579	294
STA.		TO STA.		
FED. ROAD DIST. NO. 7		ILLINOIS	FED. AID PROJECT	CONTRACT NO. 60E10



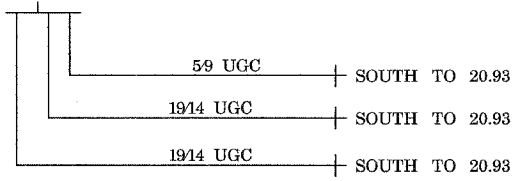
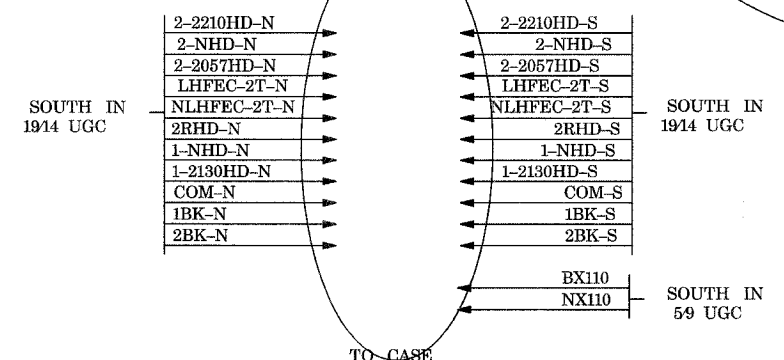
INSTALL ELECTRIC LOCK ON 2T WITH ML NORMAL (INSTALL PROPULSION WIRE).



NOTE: CONNECT TO TERMINAL 5, 7, 8, 9, 10, 11, OR 12 TO SET LENGTH OF SHUNT ZONE.



INSTALLED, BUT NOT USED UNTIL PHASE 5



URS 04/10/08 OK

YELLOW - IN
RED - OUT

CREW
07/15/09

PHASE 3

FOR REFERENCE ONLY
(METRA WORK USING
CONTRACTOR-SUPPLIED MATERIALS)

REVISIONS	
NAME	DATE

ILLINOIS DEPARTMENT OF TRANSPORTATION
US RTE 6 FROM I-294 TO IL RTE 1
METRA OVER 159TH STREET

METRA SIGNALS
PHASE 3 (STAGE 1) CASE 20.91 SH.1

SHT. SG-27 OF SG-36
DATE 4/11/2008
DRAWN BY AB
CHECKED BY MAD

4/14/2008 11:44:01 AM

qt:\17049.069\signal\work for metra\plans\27_ref.dgn