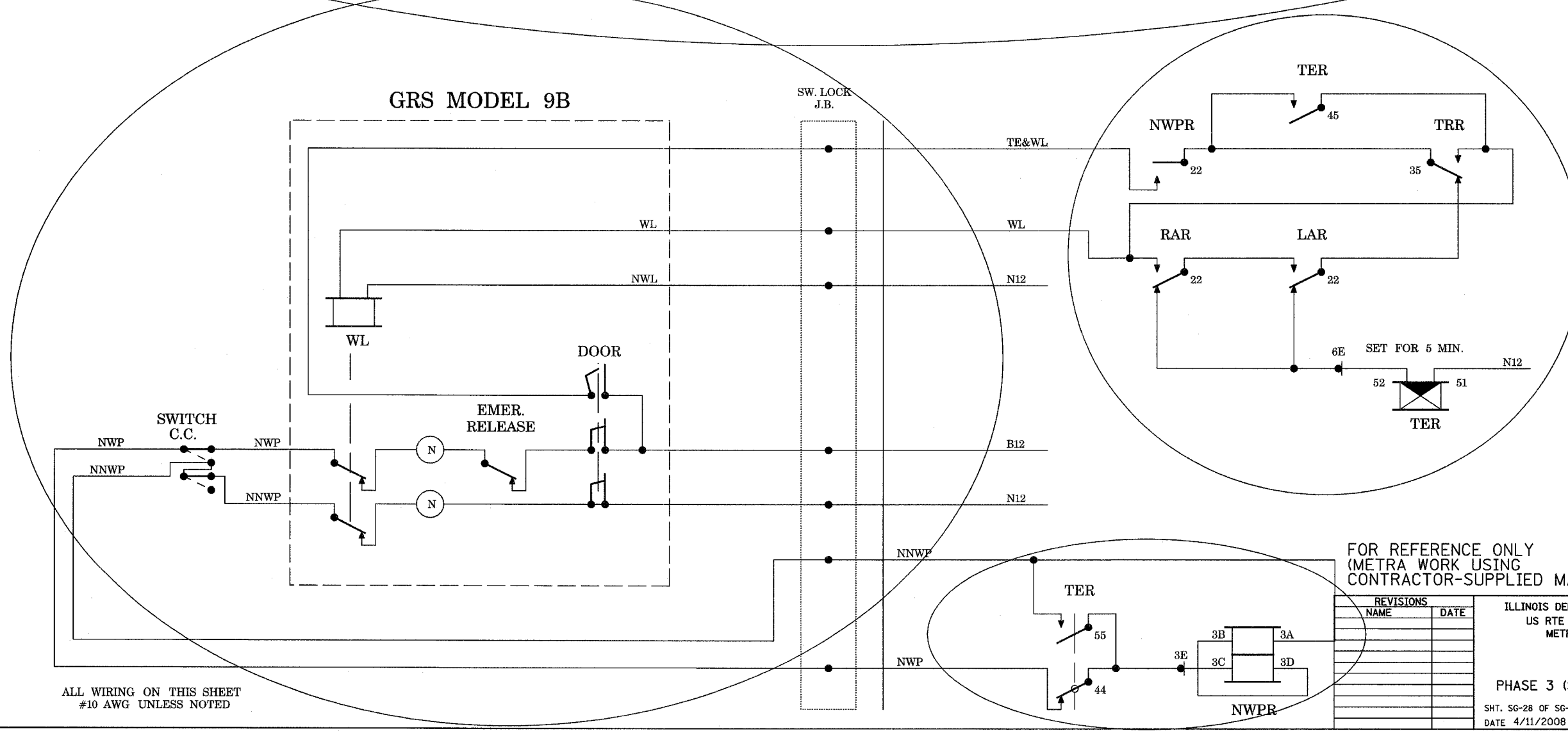
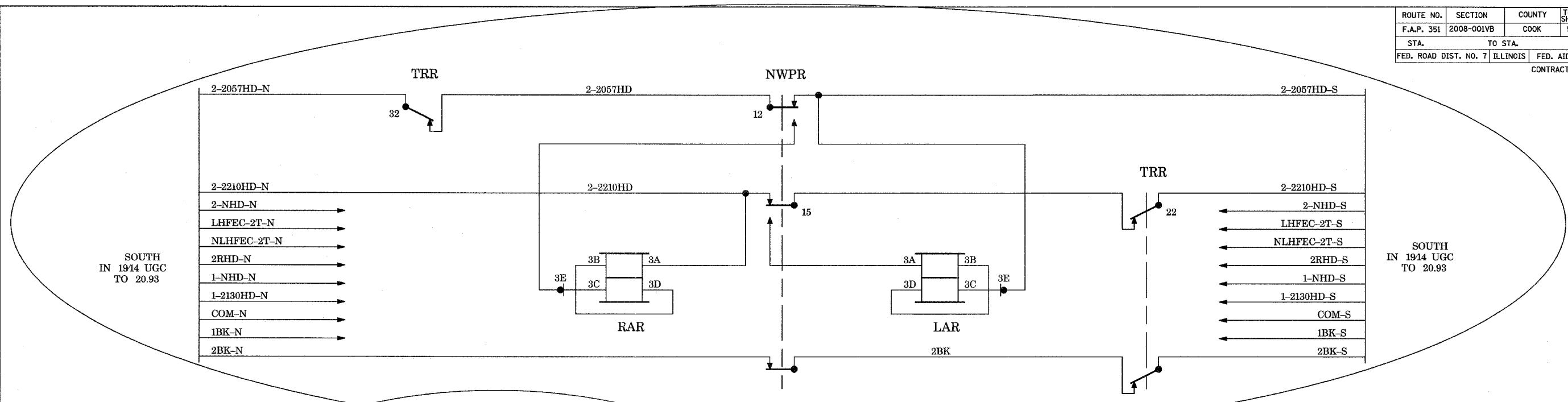


ROUTE NO.	SECTION	COUNTY	TOTAL SHEETS	SHEET NO.
F.A.P. 351	2008-001VB	COOK	579	295
STA.	TO STA.			
FED. ROAD DIST. NO. 7	ILLINOIS	FED. AID PROJECT		
CONTRACT NO. 60E10				

4/14/2008 11:44:02 AM



THIS SHEET  
ALL NEW  
  
CREW  
07/15/09  
  
PHASE 3

ALL WIRING ON THIS SHEET  
#10 AWG UNLESS NOTED

FOR REFERENCE ONLY  
(METRA WORK USING  
CONTRACTOR-SUPPLIED MATERIALS)

REVISIONS	
NAME	DATE

ILLINOIS DEPARTMENT OF TRANSPORTATION  
US RTE 6 FROM I-294 TO IL RTE 1  
METRA OVER 159TH STREET

METRA SIGNALS  
PHASE 3 (STAGE 1) CASE 20.91 SH.2

SHT. SG-28 OF SG-36  
DATE 4/11/2008

DRAWN BY AB  
CHECKED BY MAD

q:\17049\069\signal work for metra\plans\28.ref.dgn