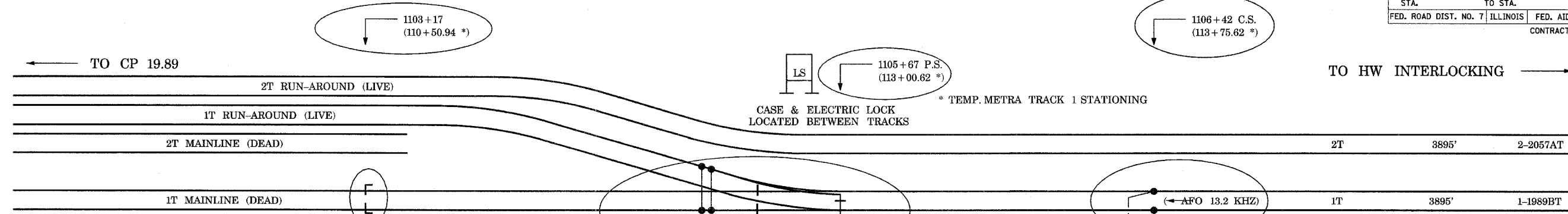
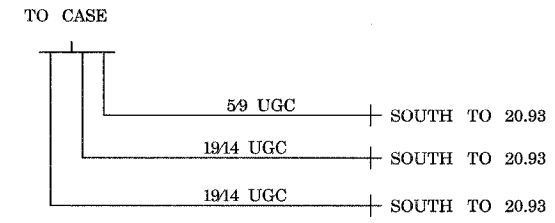
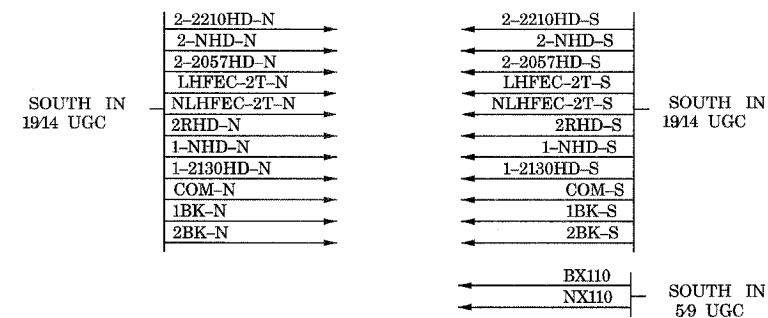
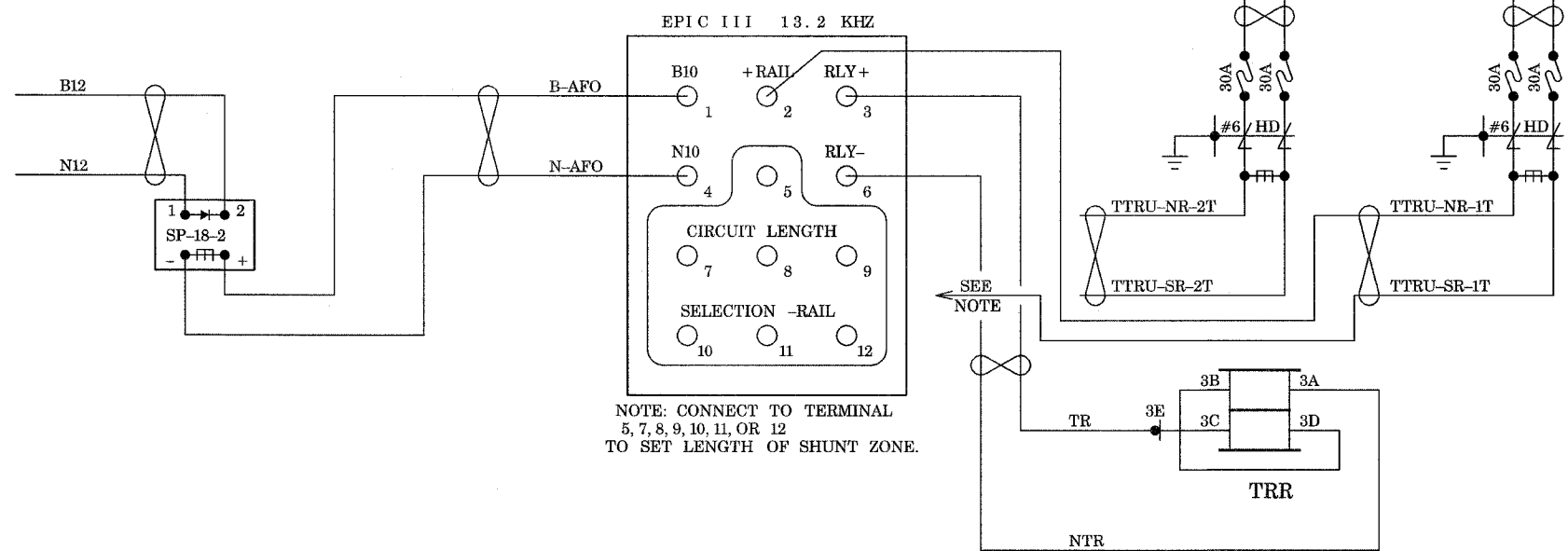
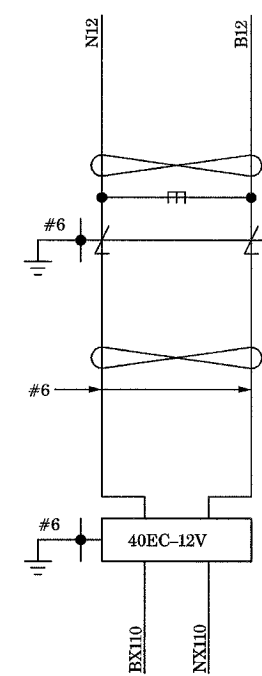


ROUTE NO.	SECTION	COUNTY	TOTAL SHEETS	SHEET NO
F.A.P. 351	2008-001VB	COOK	579	301
STA.	TO STA.		FED. AID PROJECT	
			CONTRACT NO. 60E10	



INSTALL ELECTRIC LOCK ON 1T WITH RUN-AROUND NORMAL (INSTALL PROPULSION WIRE)

20.74



URS 04/11/08 OK

YELLOW - IN
RED - OUT

CREW
03/28/10

PHASE 9

FOR REFERENCE ONLY
(METRA WORK USING
CONTRACTOR-SUPPLIED MATERIALS)

REVISIONS	
NAME	DATE

ILLINOIS DEPARTMENT OF TRANSPORTATION
US RTE 6 FROM I-294 TO IL RTE 1
METRA OVER 159TH STREET

METRA SIGNALS
PHASE 9 (STAGE 6) CASE 20.91

SHT. SG-34 OF SG-36
DATE 4/11/2008
DRAWN BY AB
CHECKED BY MAD

4/14/2008 11:44:05 AM

q:\17049\signal work for metra\plans\34_ref.dgn