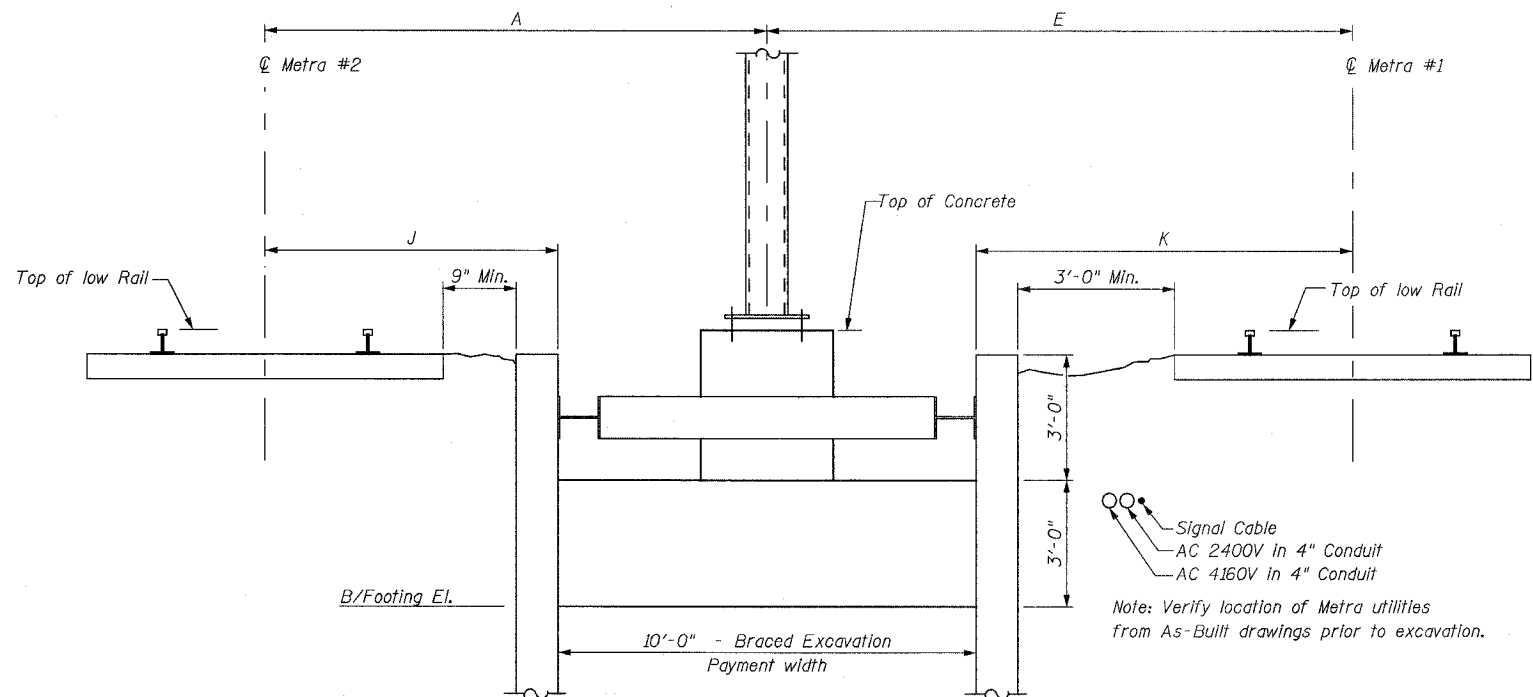


ROUTE NO.	SECTION	COUNTY	TOTAL SHEETS	SHEET NO.
F.A.P. 351	2008-001VB	COOK	579	309
STA.	TO STA.			
FED. ROAD DIST. NO. 7	ILLINOIS	FED. AID PROJECT		

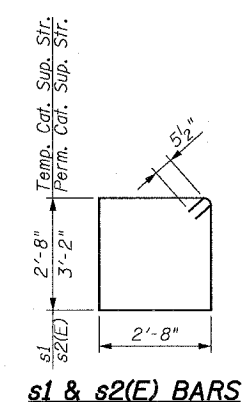
CONTRACT NO. 60E10

BILL OF MATERIAL

Bar	No.	Size	Length	Shape
n1(E)	12	#7	8'-2"	┌
n2	12	#7	7'-7"	┌
n3(E)	12	#7	8'-4"	┌
n4	12	#7	6'-10"	┌
n5	12	#7	8'-1"	┌
n6	12	#7	8'-7"	┌
n7	24	#7	8'-5"	┌
n8	12	#7	7'-2"	┌
n9	12	#7	7'-4"	┌
n10	12	#7	8'-0"	┌
n11(E)	12	#7	8'-3"	┌
n12(E)	12	#7	8'-5"	┌
s1	40	#5	11'-7"	┐
s2(E)	20	#5	12'-7"	┐
t1	176	#5	8'-6"	—
t2(E)	88	#5	8'-6"	—
w1	160	#7	9'-6"	—
w2(E)	80	#7	9'-6"	—
Item	Unit	Qty.		
Concrete Structures	Cu Yd	141.9		
Reinforcement Bars	Pound	6670		
Reinforcement Bars, Epoxy Coated	Pound	3410		
Braced Excavation	Cu Yd	346.7		

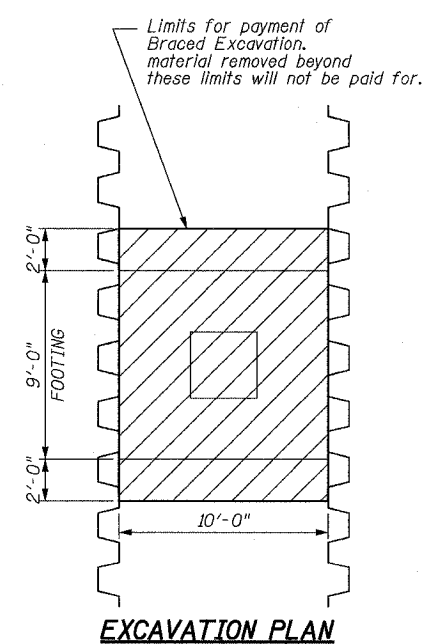
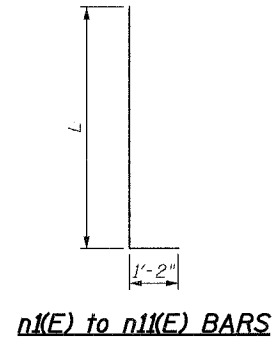


CATENARY SUPPORT STRUCTURE TYPICAL FOOTING ELEVATION
LOOKING SOUTH

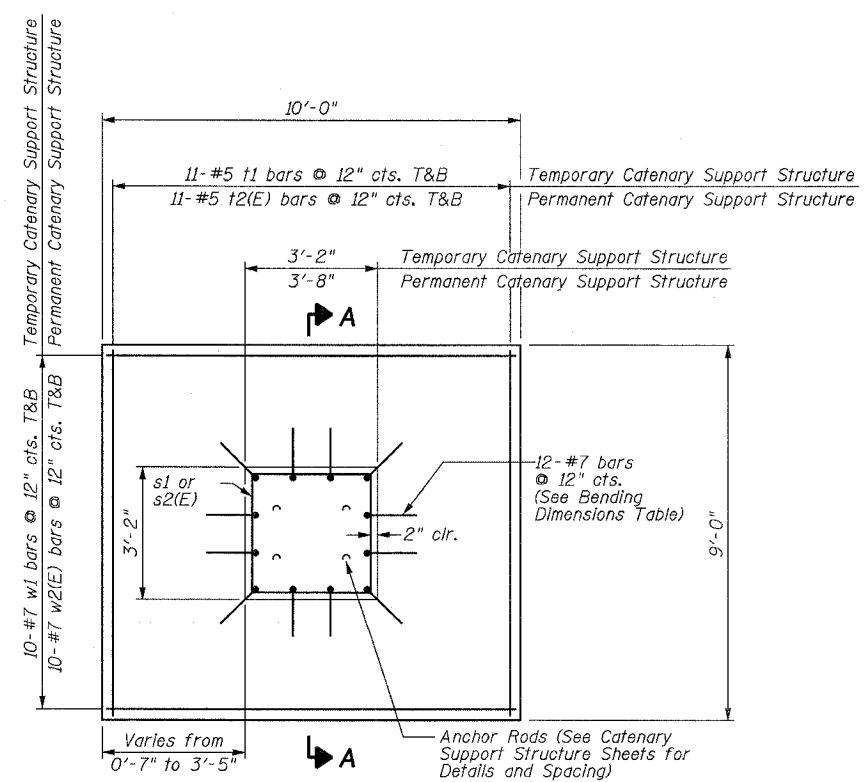


BENDING DIMENSIONS

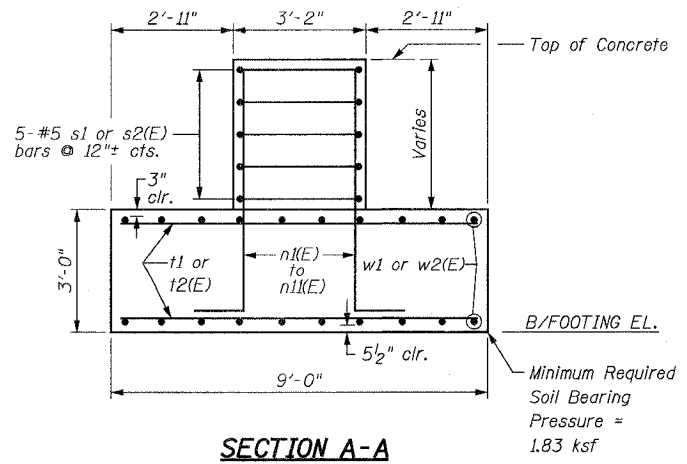
Str. #	Bar	"L"
2	n1(E)	7'-0"
3	n2	6'-5"
3A	n3(E)	7'-2"
4	n4	5'-8"
5	n5	6'-11"
6	n6	7'-5"
7	n7	7'-3"
8	n8	6'-0"
9	n9	6'-2"
9A	n12(E)	7'-3"
10	n10	6'-10"
11	n11(E)	7'-1"



EXCAVATION PLAN



CATENARY SUPPORT STRUCTURE TYPICAL FOOTING PLAN



SECTION A-A

NOTES:
1. See Sheet "Support Structures Table of Dimensions" for "A," "E," "J," & "K" dimensions, top of concrete elevation, top of rail elevations, and bottom of footing elevation.

REVISIONS	
NAME	DATE

ILLINOIS DEPARTMENT OF TRANSPORTATION
US RTE 6 FROM I-294 TO IL RTE 1
METRA OVER 159TH ST
**CATENARY STRUCTURES
SUPPORT STRUCTURES
FOOTING DETAILS**
SHT. CS-06 OF CS-17 DRAWN BY PMV
DATE 2/21/2008 CHECKED BY MAD

3/13/2008 5:11:38 PM

q:\17049\069\catenary\plans\catstructures\06_support structure footing details.dgn