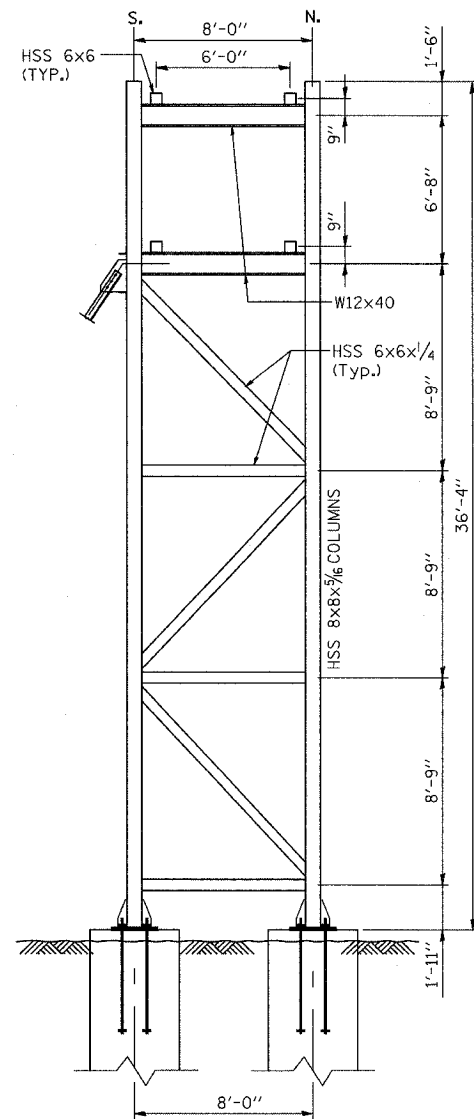


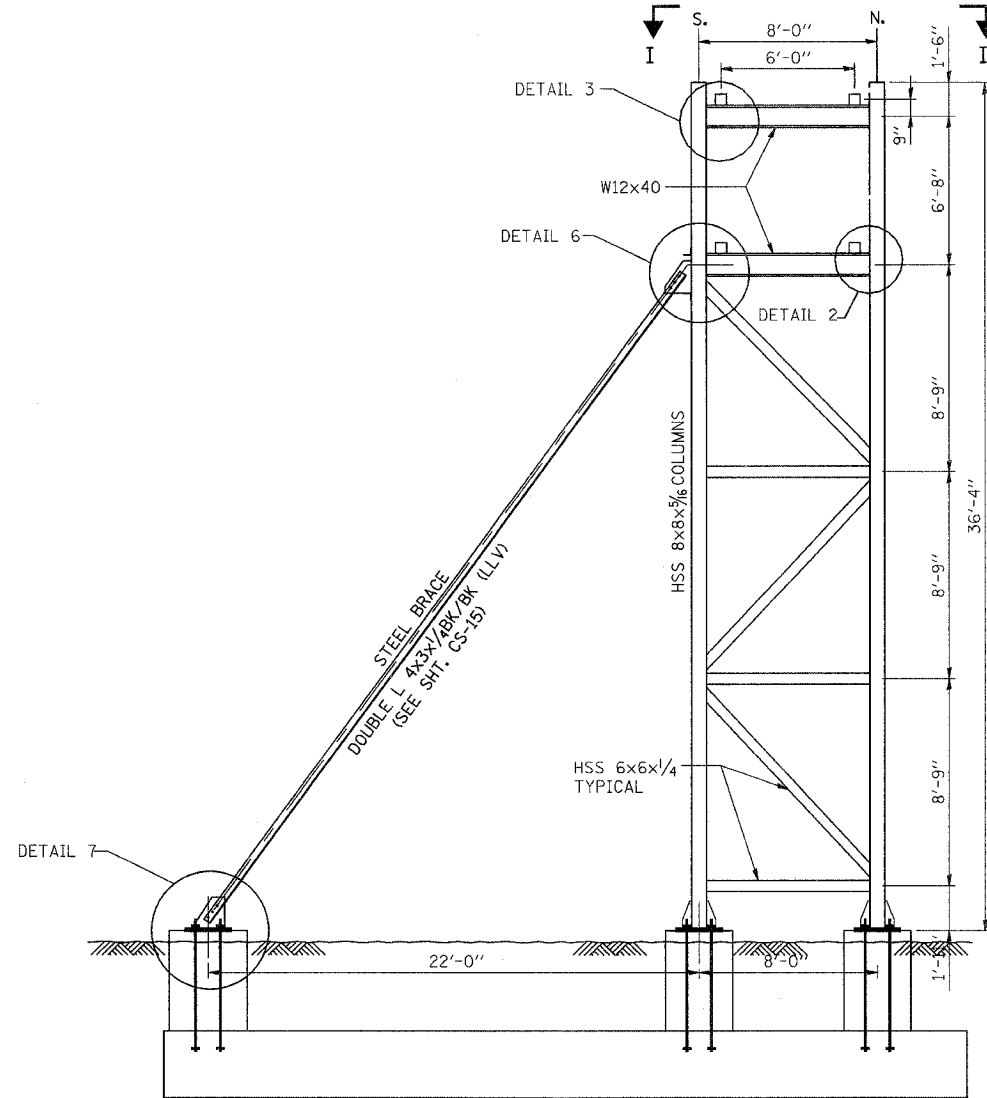
3/13/2008 2:39:18 PM

q:\17049\catenary\plans-catstructures\09_s_cat_tower_e&w_elev.dgn

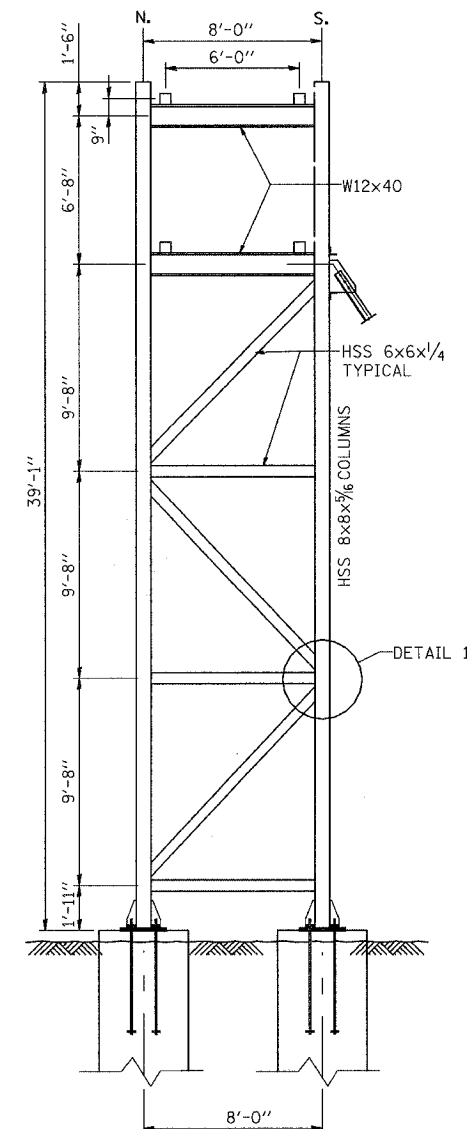
ROUTE NO.	SECTION	COUNTY	TOTAL SHEETS	SHEET NO.
F.A.P. 351	2008-001VB	COOK	579	312
STA.		TO STA.		
FED. ROAD DIST. NO. 7		ILLINOIS	FED. AID PROJECT	
CONTRACT NO. 60E10				



SECTION B-B
(WEST TOWER)

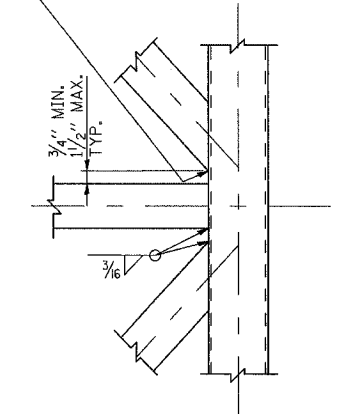


SECTION C-C
(CENTER TOWER)

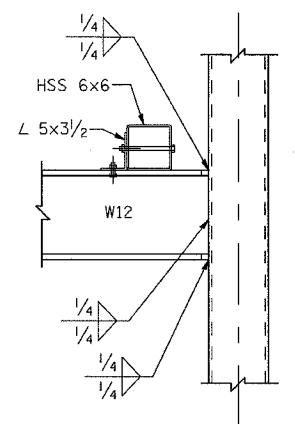


SECTION D-D
(EAST TOWER)

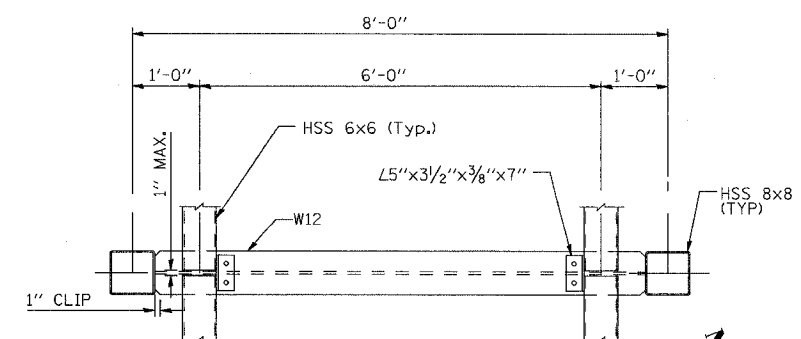
TOE EDGE OF DIAGONAL MEMBER SHALL BE CUT BACK TO FACILITATE THROAT THICKNESS PER AWS D1.1



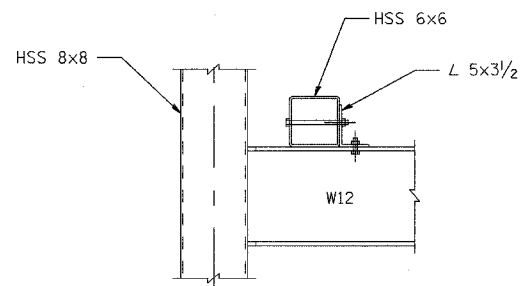
DETAIL 1



DETAIL 2
(TYP. W12 TO COLUMN CONNECTION)



SECTION I-I
(CENTER TOWER)



DETAIL 3

NOTES:
SEE SHT. CS-08 FOR LOCATIONS OF SECTIONS B-B, C-C, D-D
SEE SHT. CS-15 FOR ANCHOR DETAIL AND DETAILS 6 & 7

REVISIONS	
NAME	DATE

ILLINOIS DEPARTMENT OF TRANSPORTATION
US RTE 6 FROM I-294 TO IL RTE 1
METRA OVER 159TH ST
CATENARY STRUCTURES
DEAD-END STRUCTURE
TOWER ELEVATIONS

SHT. CS-09 OF CS-17
DATE 2/21/2008
DRAWN BY SOI
CHECKED BY MAD