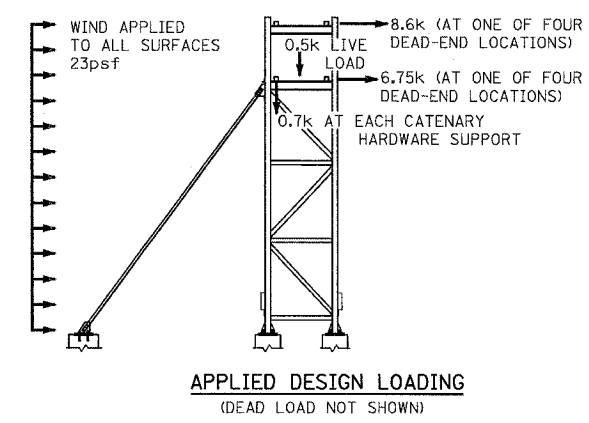
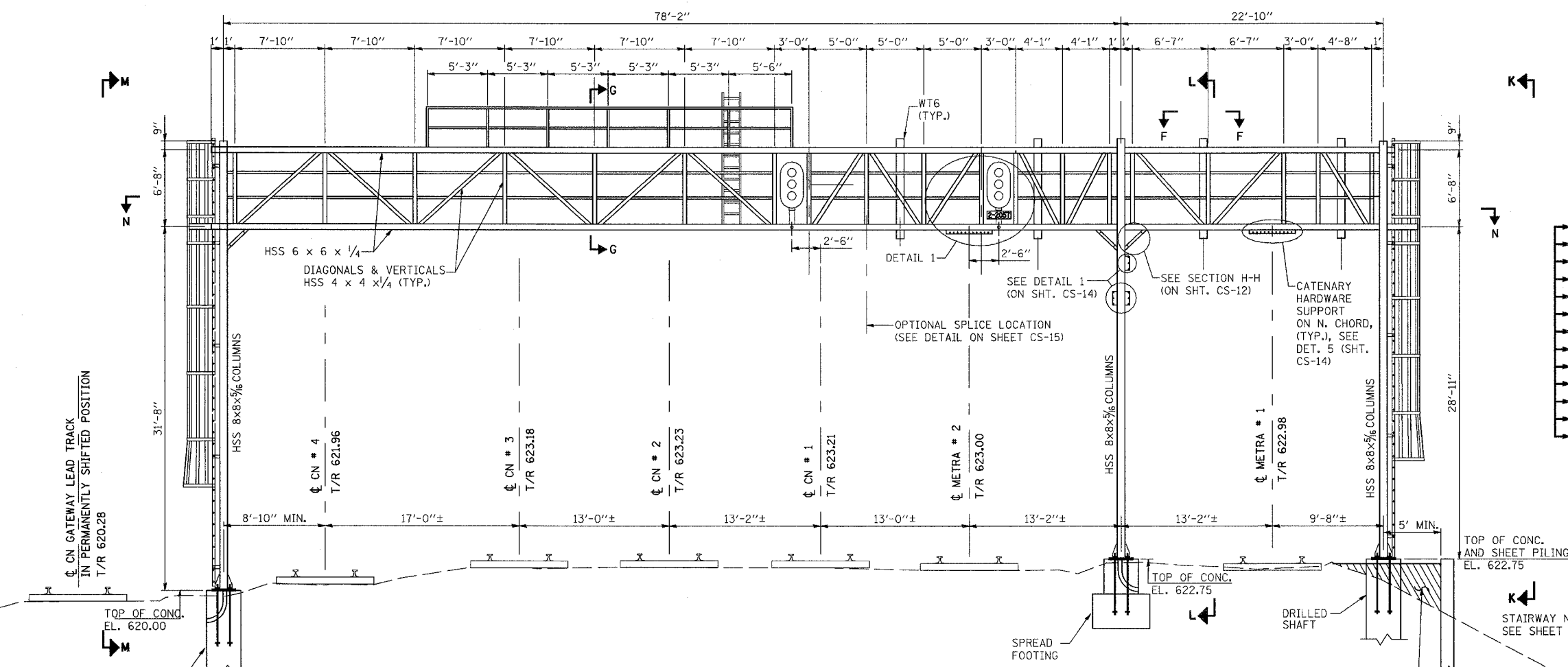
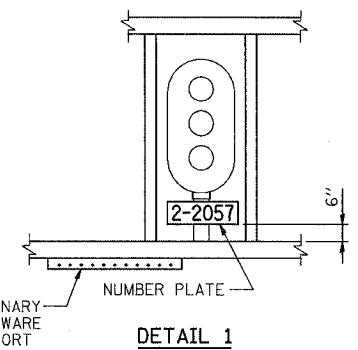
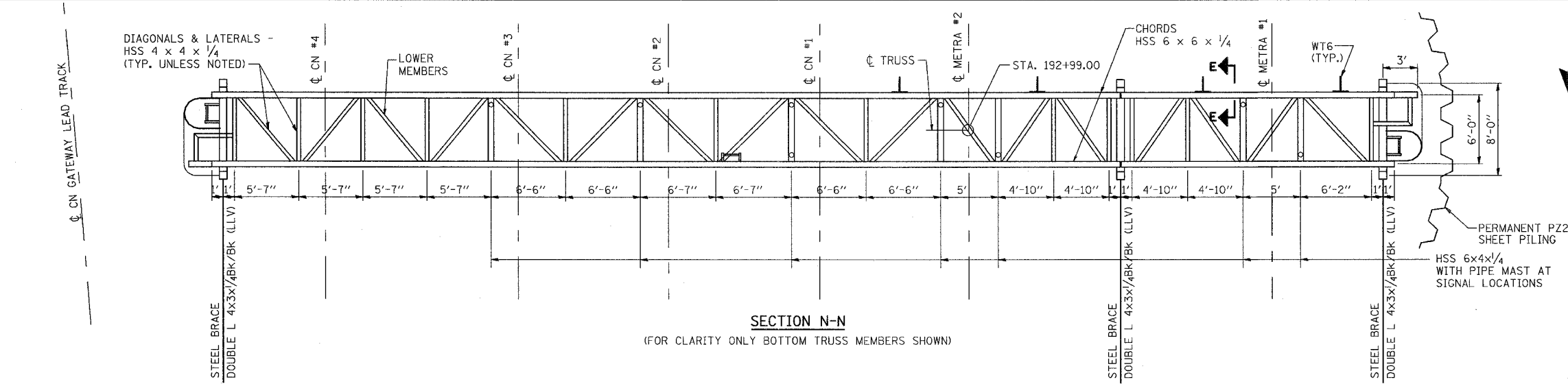


3/13/2008 2:39:19 PM

q:\17049\0659\catenary\plans-catstructures\11-n cat.signal.plan&n elev.dgn

ROUTE NO.	SECTION	COUNTY	TOTAL SHEETS	SHEET NO
F.A.P. 351	2008-001VB	COOK	579	314
STA.		TO STA.		
FED. ROAD DIST. NO. 7		ILLINOIS	FED. AID PROJECT	
CONTRACT NO. 60E10				



NORTH ELEVATION
(LOOKING SOUTH, FOR CLARITY ONLY NEAR TRUSS SHOWN)

NOTES:
SEE SHT. CS-12 FOR SECTIONS H-H, K-K, L-L, M-M
SEE SHT. CS-13 FOR SECTION G-G
SEE SHT. CS-15 FOR SECTIONS E-E, F-F

REVISIONS	
NAME	DATE

ILLINOIS DEPARTMENT OF TRANSPORTATION
US RTE 6 FROM I-294 TO IL RTE 1
METRA OVER 159TH ST
**CATENARY STRUCTURES
BRIDGE STRUCTURE
NORTH ELEVATION**
SHT. CS-11 OF CS-17
DATE 2/21/2008
DRAWN BY AL
CHECKED BY MAD