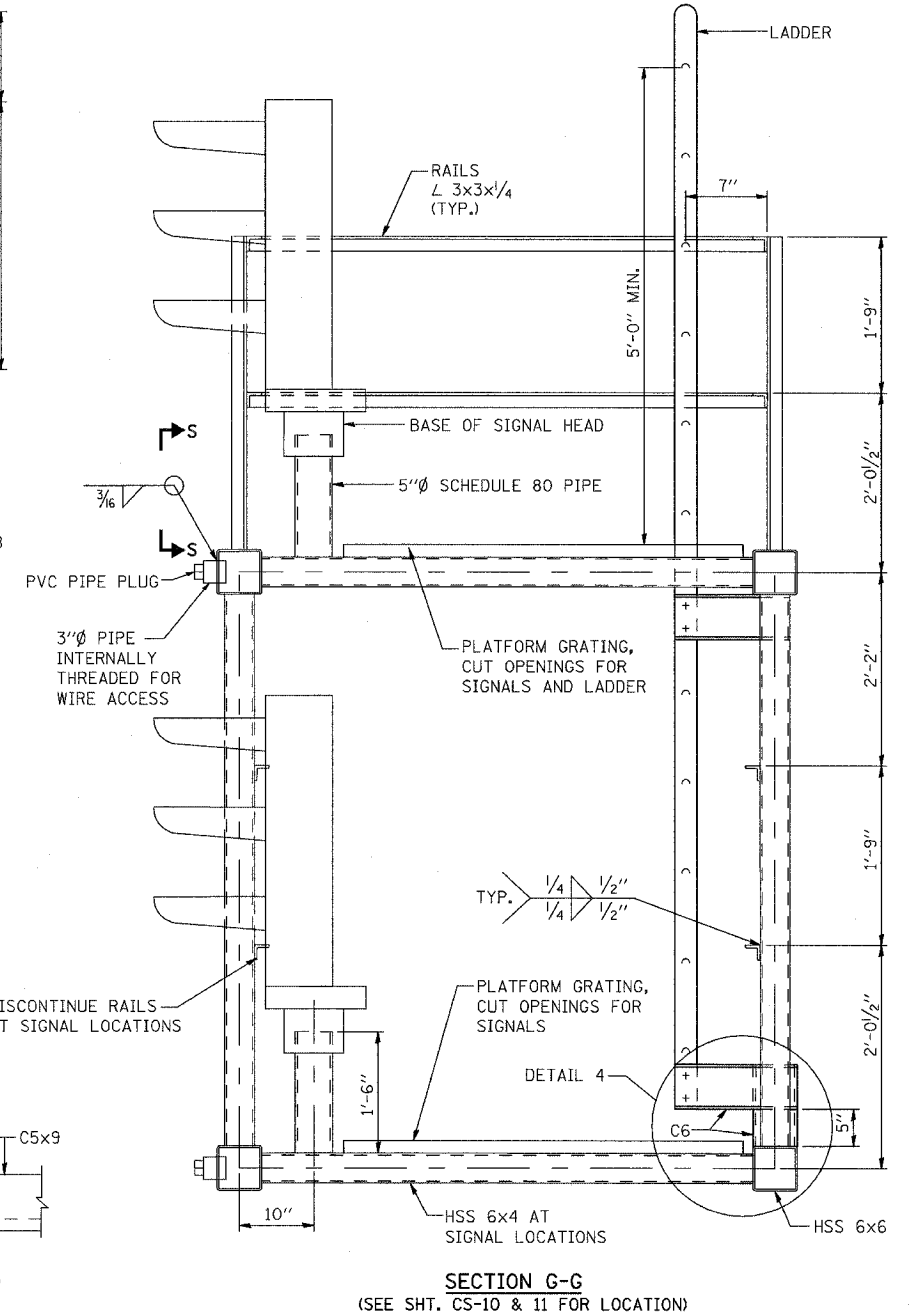
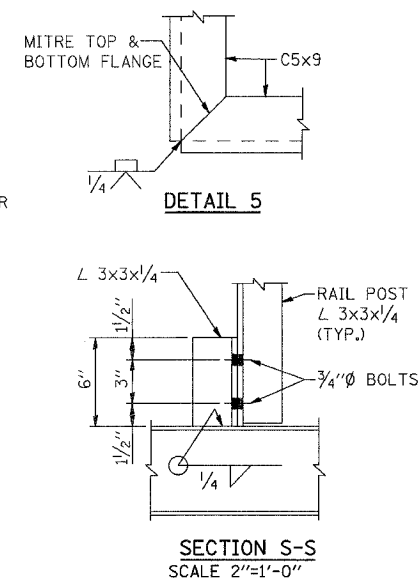
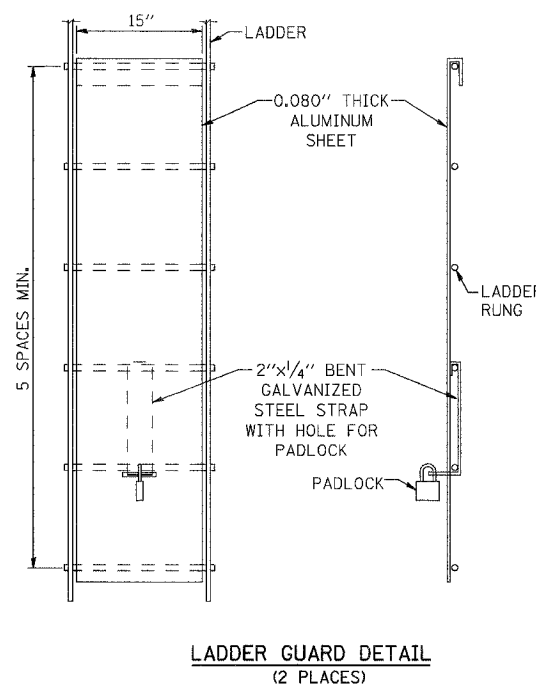
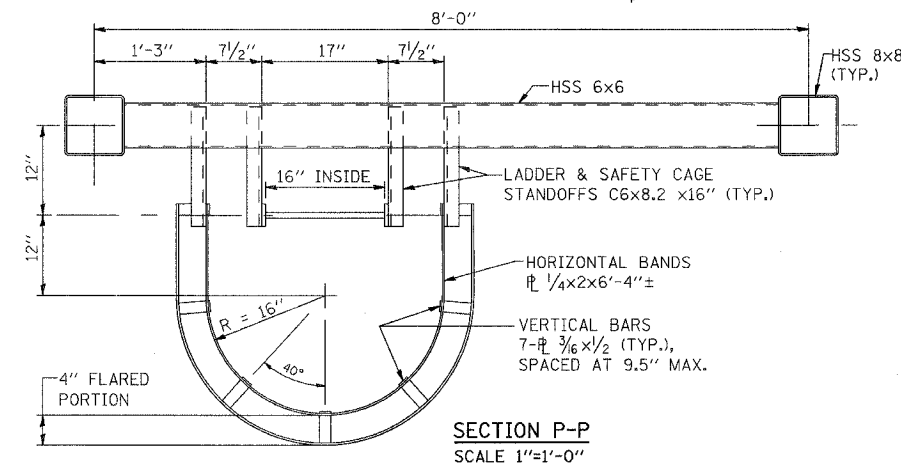
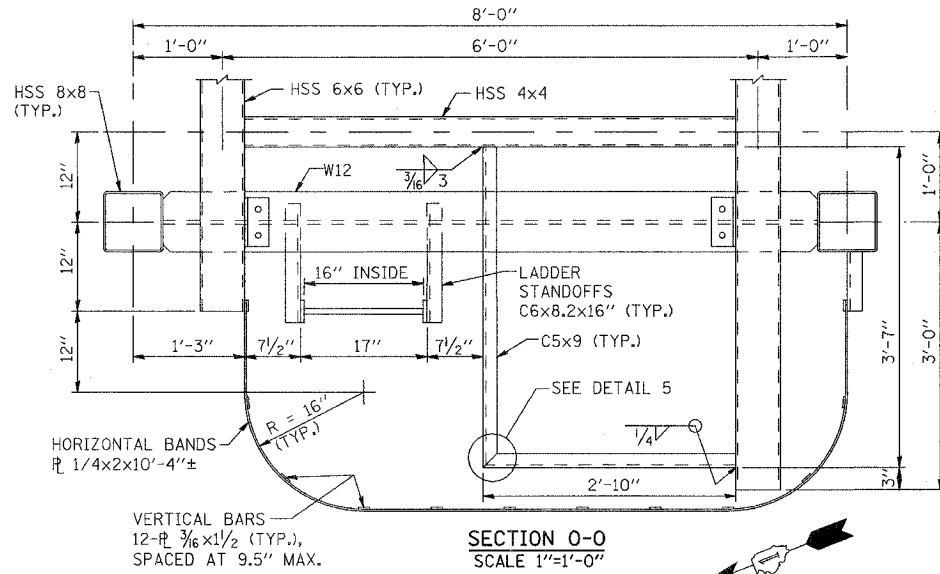
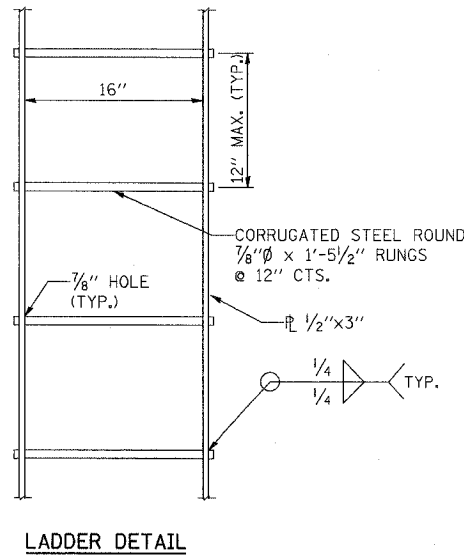
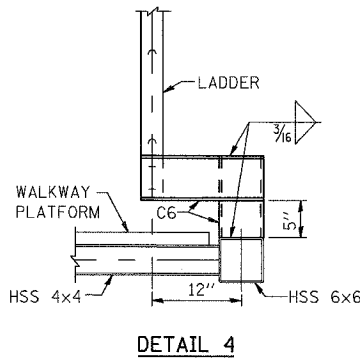
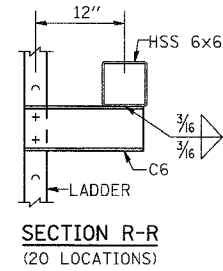
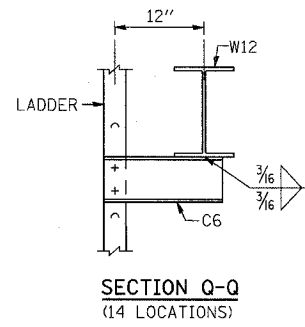
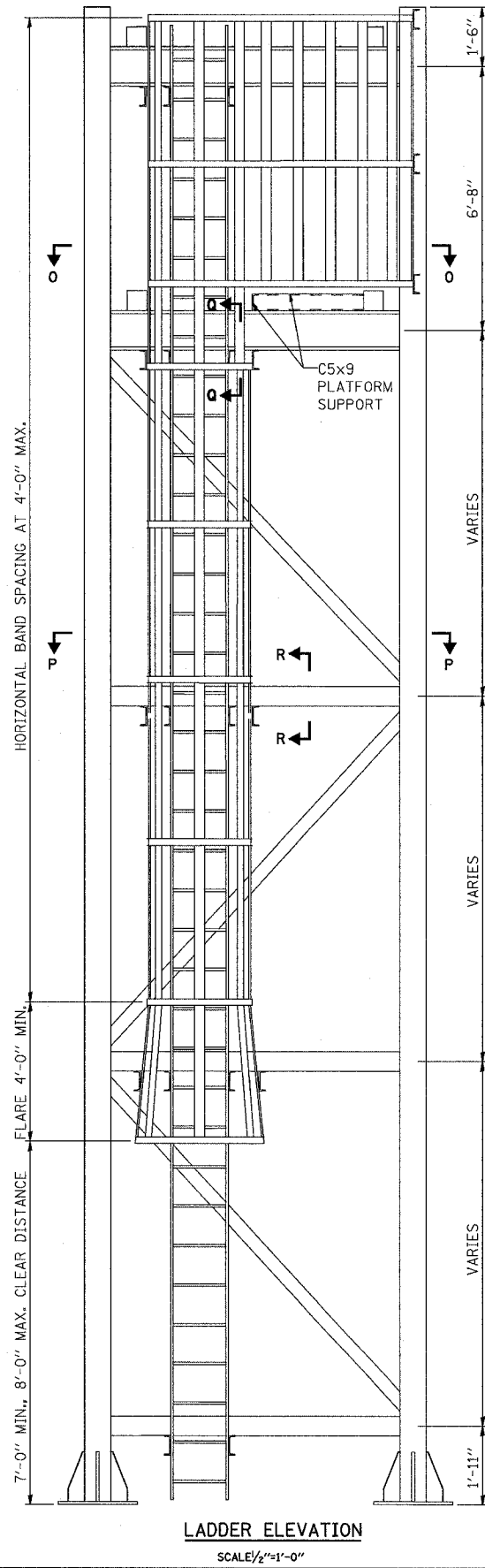


3/13/2008 2:39:20 PM

q:\17049\069\catenary\plans-catstructures\13-signal_ladderdetails.dgn

ROUTE NO.	SECTION	COUNTY	TOTAL SHEETS	SHEET NO.
F.A.P. 351	2008-001VB	COOK	579	316
STA.		TO STA.		
FED. ROAD DIST. NO. 7		ILLINOIS FED. AID PROJECT		
CONTRACT NO. 60E10				



REVISIONS	
NAME	DATE

ILLINOIS DEPARTMENT OF TRANSPORTATION
US RTE 6 FROM I-294 TO IL RTE 1
METRA OVER 159TH ST

**CATENARY STRUCTURES
BRIDGE STRUCTURE
LADDER DETAILS**

SH. CS-13 OF CS-17
DATE 2/21/2008

DRAWN BY SOI
CHECKED BY DEM