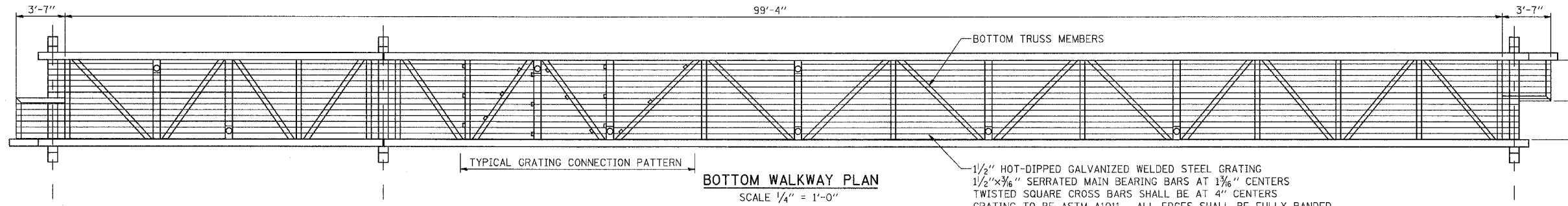
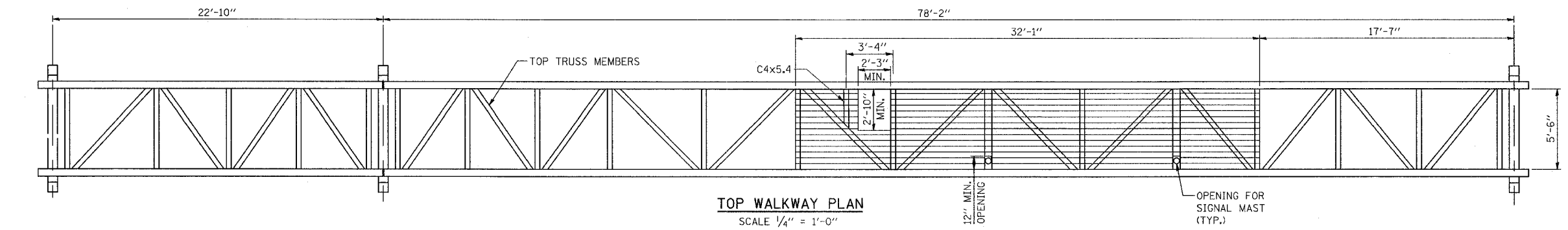


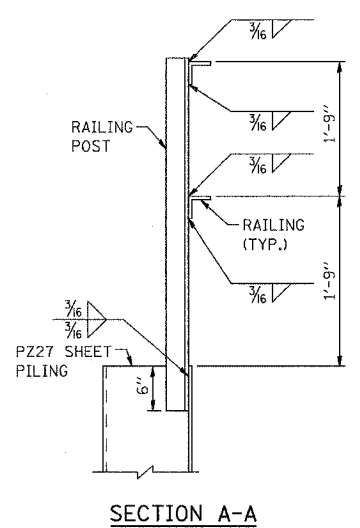
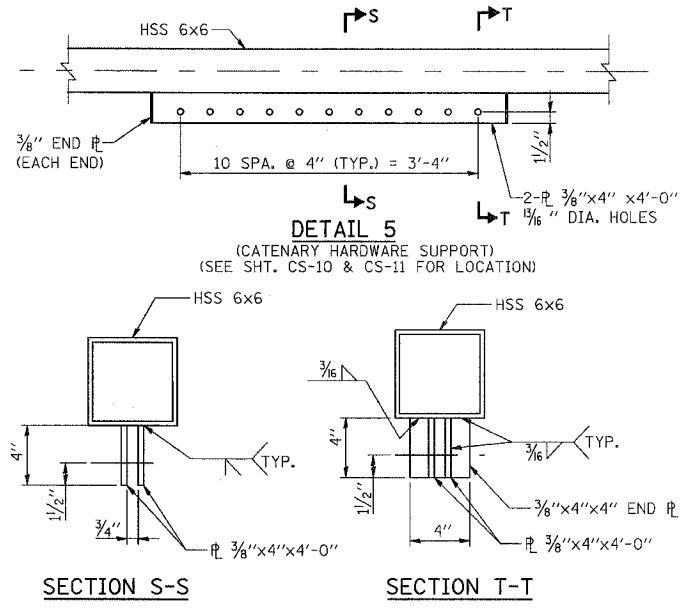
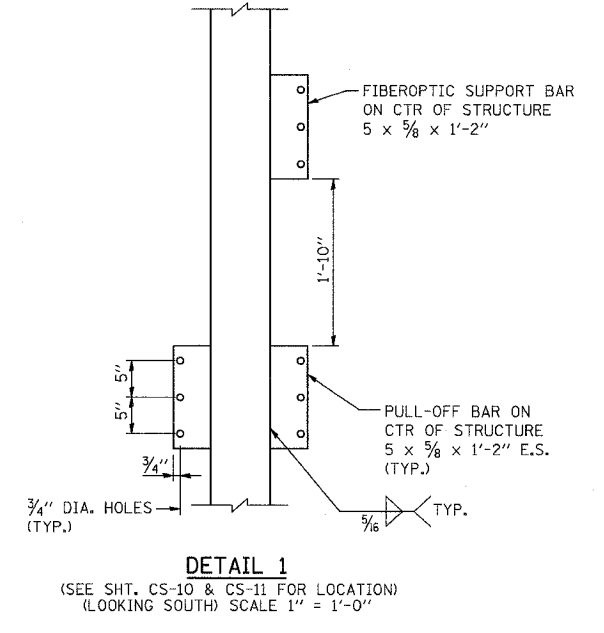
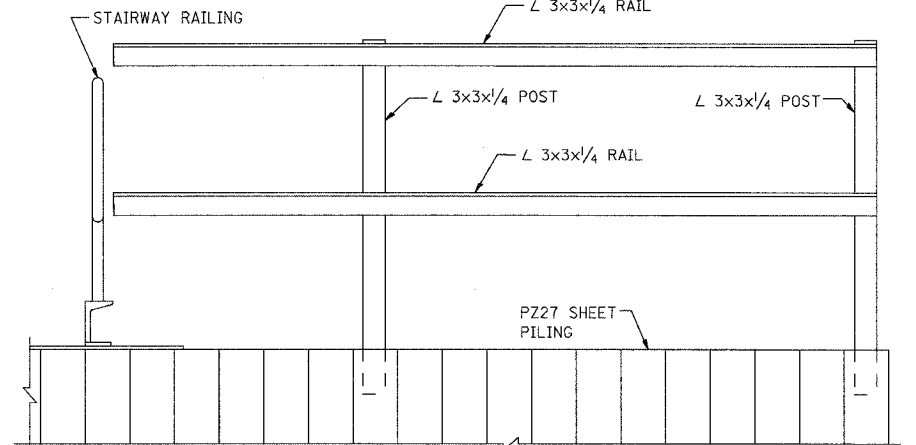
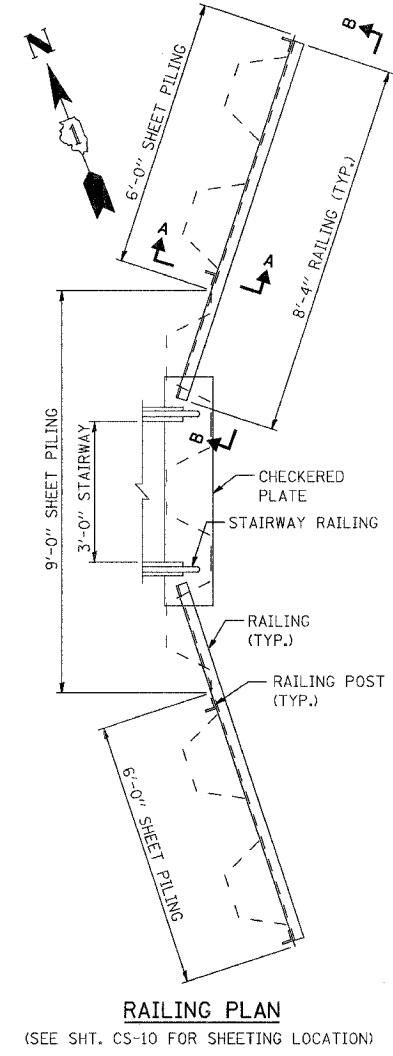
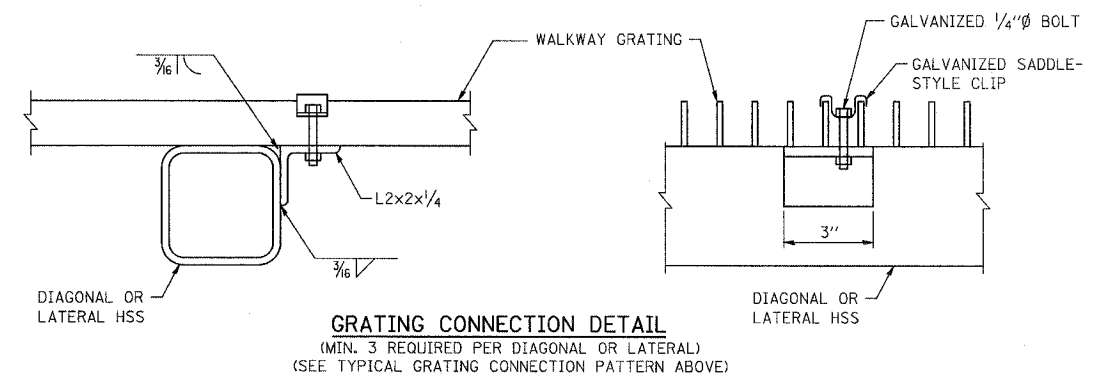
3/13/2008 2:39:21 PM

qt:\17049\059\catenary\plans-catstructures\14_signal_details.elev.dgn

ROUTE NO.	SECTION	COUNTY	TOTAL SHEETS	SHEET NO.
F.A.P. 351	2008-001VB	COOK	579	317
STA.		TO STA.		
FED. ROAD DIST. NO. 7		ILLINOIS		FED. AID PROJECT
CONTRACT NO. 60E10				



1/2" HOT-DIPPED GALVANIZED WELDED STEEL GRATING
1/2"x3/8" SERRATED MAIN BEARING BARS AT 1 3/8" CENTERS
TWISTED SQUARE CROSS BARS SHALL BE AT 4" CENTERS
GRATING TO BE ASTM A1011. ALL EDGES SHALL BE FULLY BANDED.
PROVIDE OPENINGS IN GRATING TO ACCOMMODATE THE SIGNAL PIPE MASTS AND LADDER TO UPPER PLATFORM.



REVISIONS	
NAME	DATE

ILLINOIS DEPARTMENT OF TRANSPORTATION
US RTE 6 FROM I-294 TO IL RTE 1
METRA OVER 159TH ST

**CATENARY STRUCTURES
BRIDGE STRUCTURE
DETAILS**

SHT. CS-14 OF CS-17
DATE 2/21/2008

DRAWN BY SOI
CHECKED BY MAD