

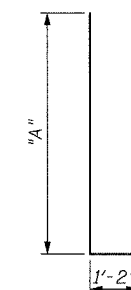
ROUTE NO.	SECTION	COUNTY	TOTAL SHEETS	SHEET NO.
F.A.P. 351	2008-001VB	COOK	579	319
STA.	TO STA.			
FED. ROAD DIST. NO. 7	ILLINOIS	FED. AID PROJECT		
CONTRACT NO. 60E10				

**BILL OF MATERIAL**

BAR	NO.	SIZE	LENGTH	SHAPE
n12(E)	36	#7	8'-6"	
n13	36	#7	7'-9"	
s1	18	#5	11'-7"	
s3(E)	18	#5	11'-7"	
t3(E)	74	#5	4'-6"	
t4	74	#5	4'-6"	
w3(E)	12	#8	35'-6"	
w4	12	#8	35'-6"	
ITEM	UNIT	QTY.		
CONCRETE STRUCTURE	CU YD	50.9		
REINFORCEMENT BARS,	POUND	2270		
REINFORCEMENT BARS,	POUND	2330		
EPOXY COATED				
BRACED EXCAVATION	CU YD	160.0		

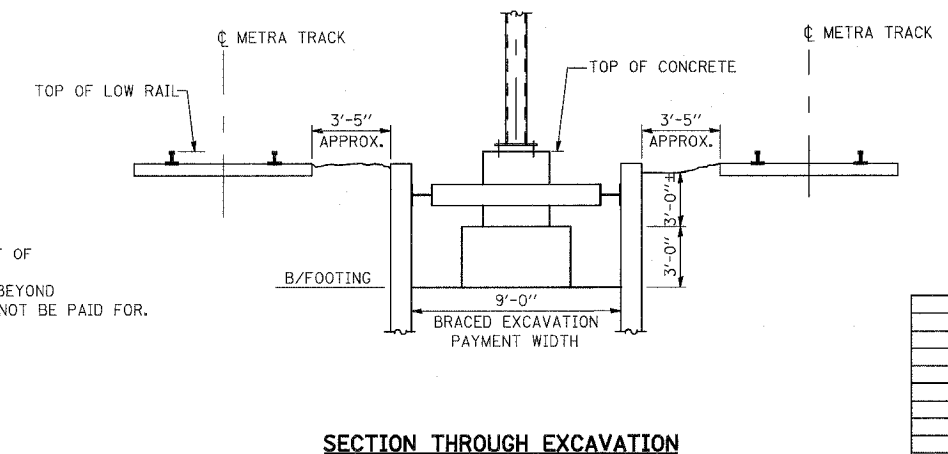
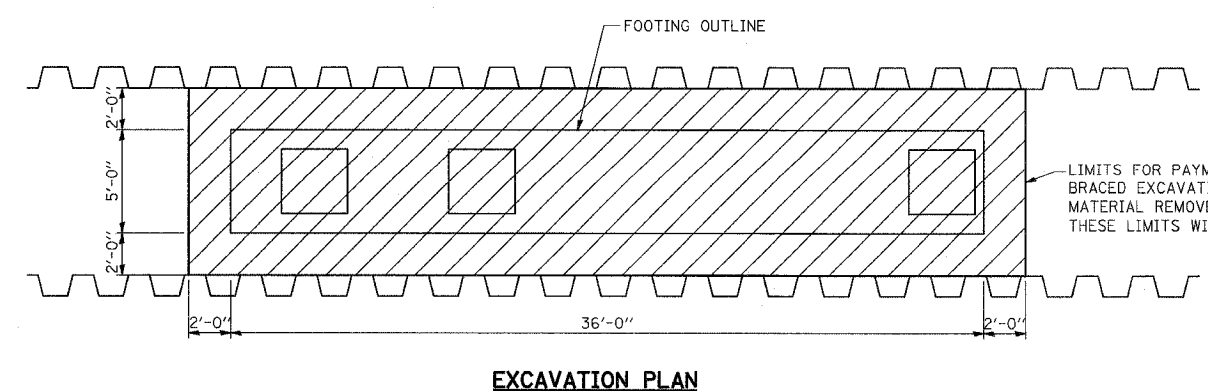
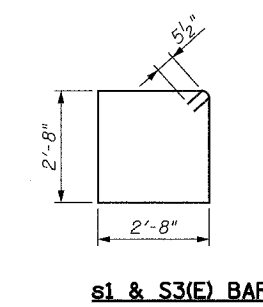
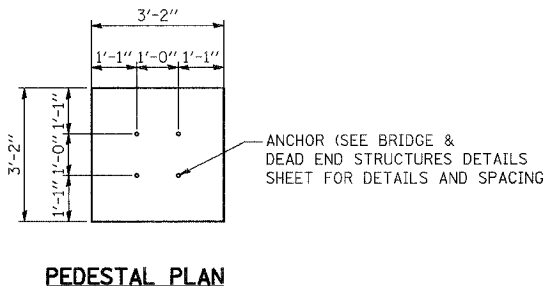
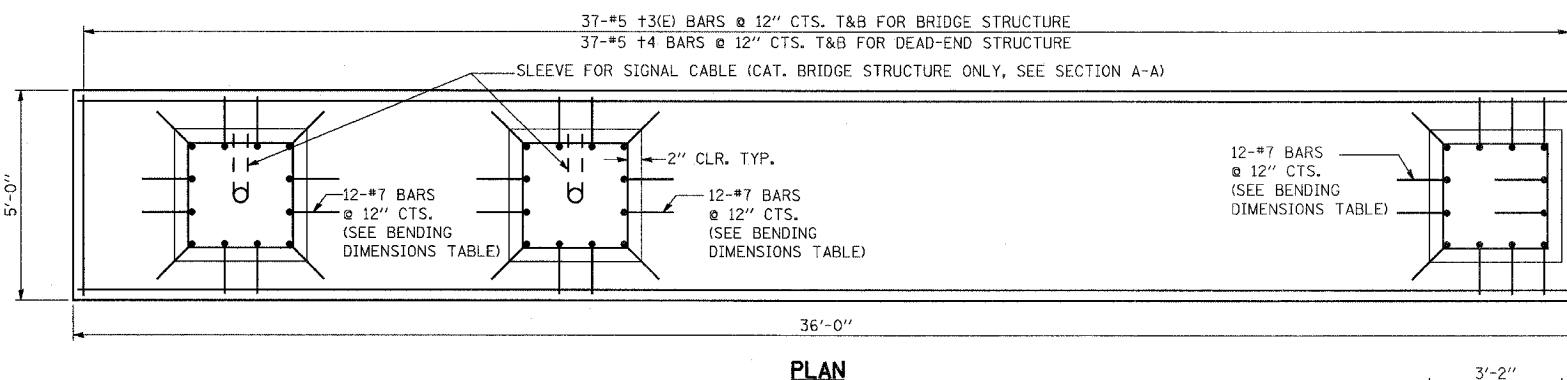
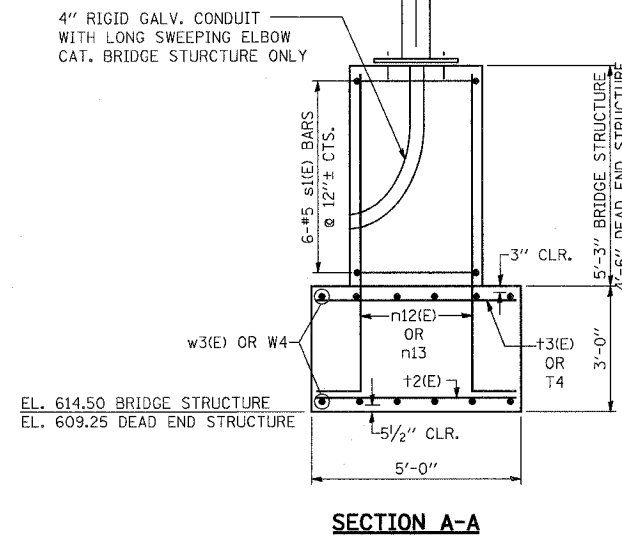
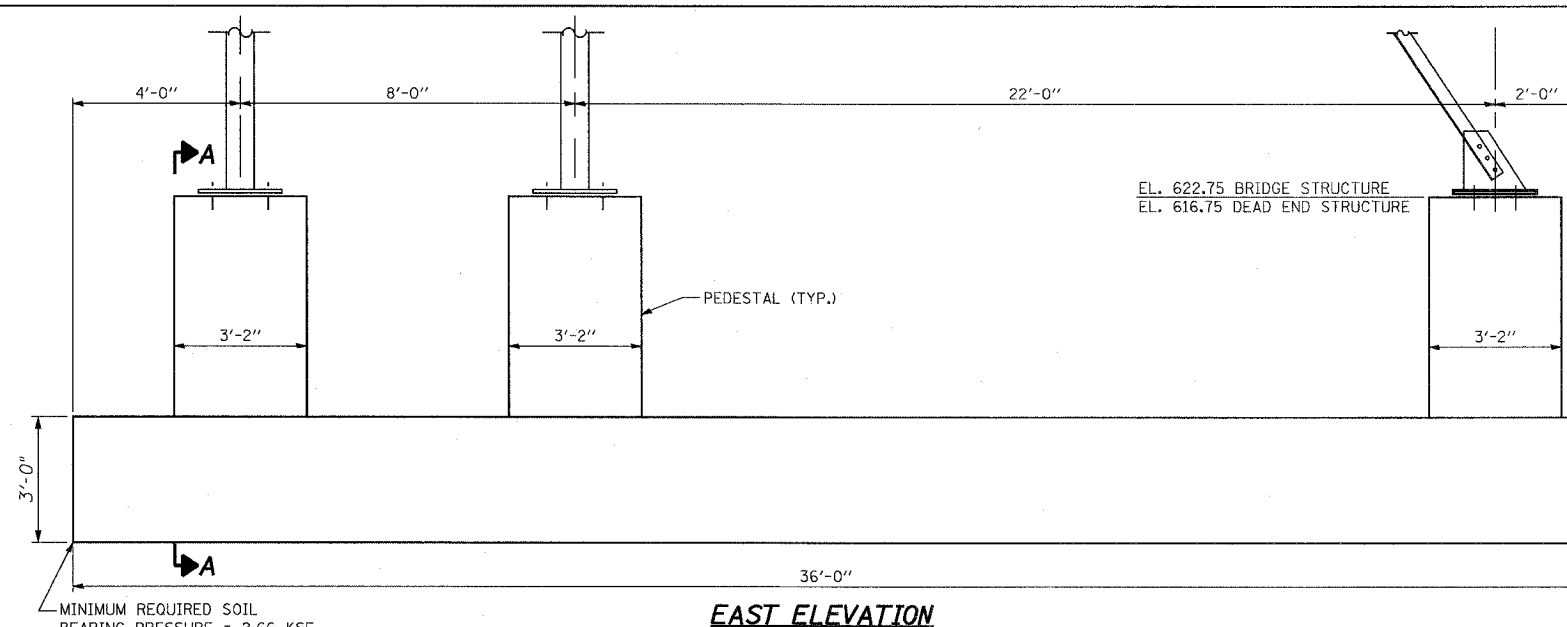
**BENDING DIMENSIONS**

STRUCTURE	BAR	"A"
BRIDGE	n12(E)	7'-4"
DEAD END	n13	6'-7"



3/13/2008 5:11:38 PM

q:\17049\catenary\plans-catstructures\16-bridge & dead end footing details.dgn



NOTE:  
THE FOUNDATIONS FOR ALL TEMPORARY STRUCTURES SHALL BE REMOVED TO AN ELEVATION TWO FEET BELOW THE BOTTOM OF TIE ELEVATION FOR ANY PERMANENT OR TEMPORARY TRACKS TO BE LOCATED WITHIN 20 FEET OF THE FOUNDATION.

REVISIONS	
NAME	DATE

ILLINOIS DEPARTMENT OF TRANSPORTATION  
US RTE 6 FROM I-294 TO IL RTE 1  
METRA OVER 159TH ST

CATENARY STRUCTURES  
BRIDGE & DEAD-END STRUCTURES  
FOOTING DETAILS

SHT. CS-16 OF CS-17  
DATE 2/21/2008

DRAWN BY PMV  
CHECKED BY MAD