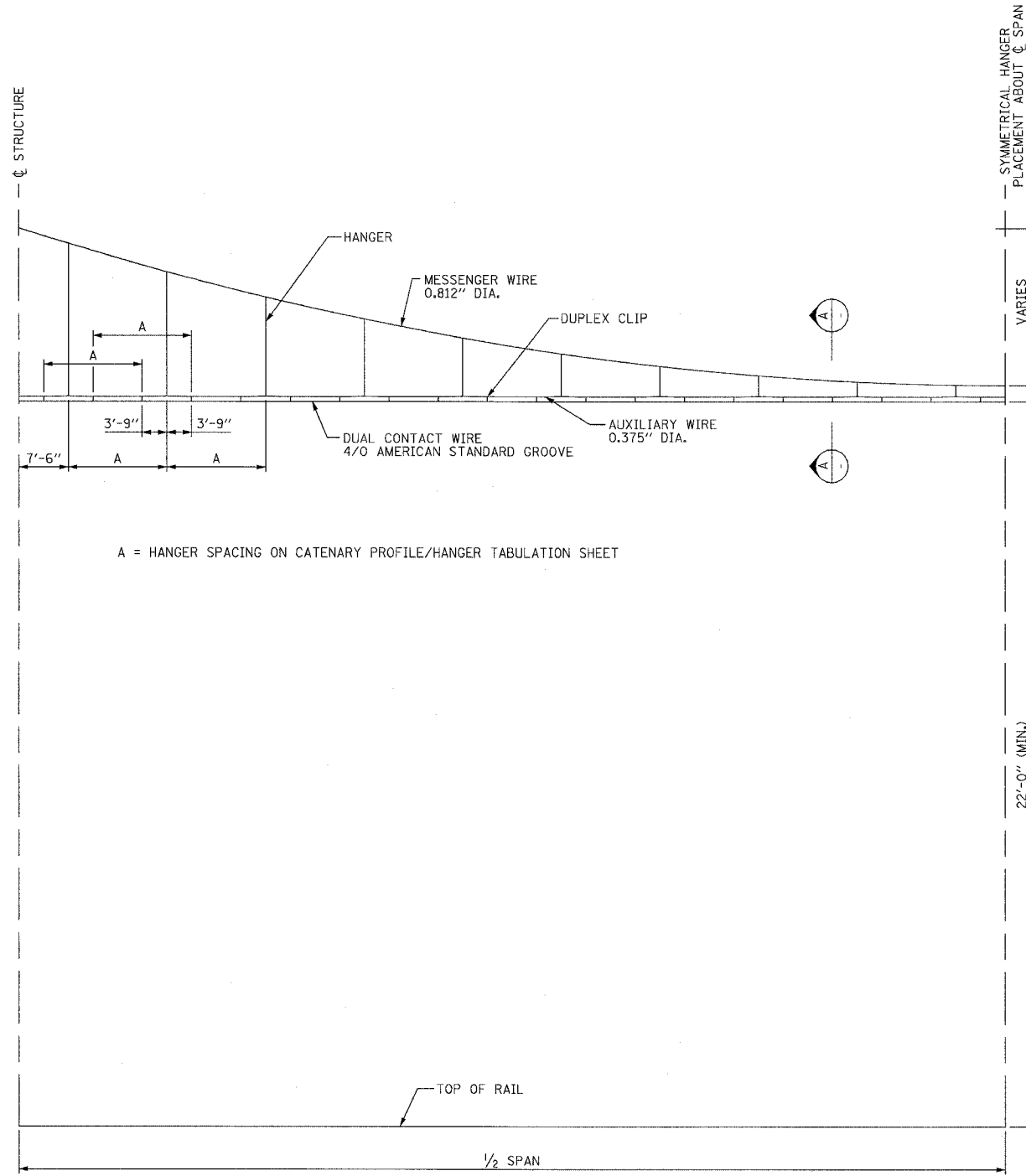


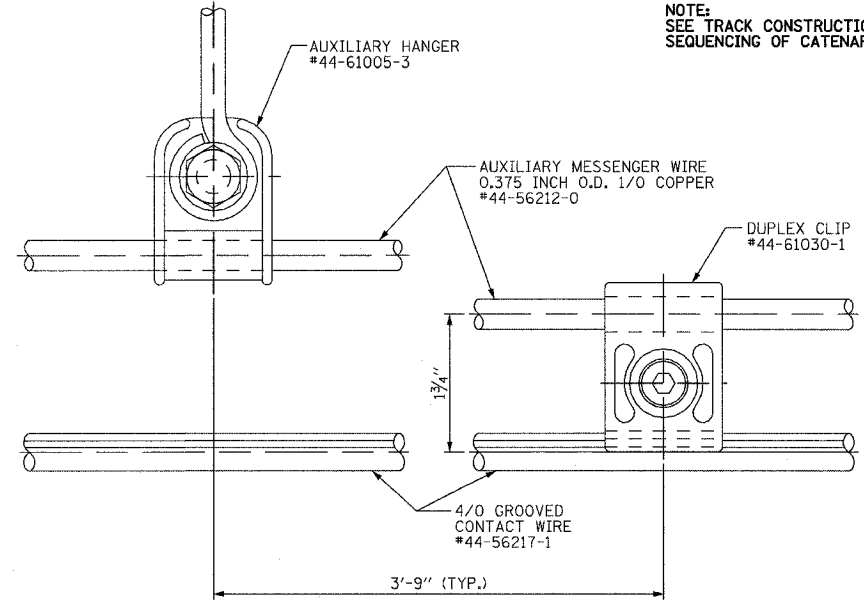
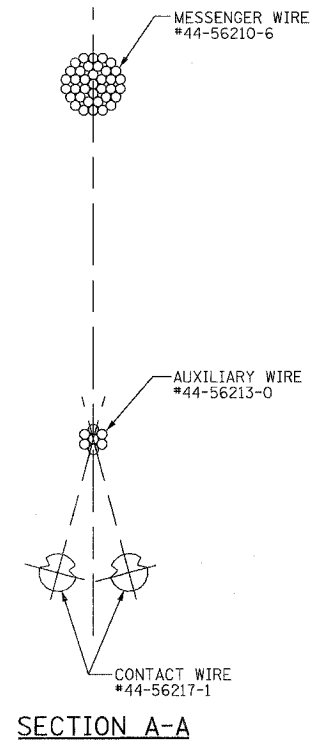
3/13/2008 2:39:23 PM

q:\17049\catenary\plans-cathardware\01 typical catenary span.dgn

ROUTE NO.	SECTION	COUNTY	TOTAL SHEETS	SHEET NO.
F.A.P. 351	2008-001VB	COOK	579	321
STA.		TO STA.		
FED. ROAD DIST. NO. 7		ILLINOIS	FED. AID PROJECT	
CONTRACT NO. 60E10				



**TYPICAL CATENARY SPAN
HEAVY CONSTRUCTION
TYPICAL SPAN WITH HANGER SPACING LESS THAN 15 FEET**



TYPICAL HANGER ARRANGEMENT

**INDEX OF DRAWINGS FOR
CATENARY HARDWARE**

SHT. NO.	SHEET TITLE
CH-01	TYPICAL CATENARY SPAN
CH-02	PROFILE/HANGER TABULATION
CH-03	DETAILS SHEET 1
CH-04	DETAILS SHEET 2
CH-05	DETAILS SHEET 3
CH-06	CATENARY & SIGNAL SUPP. STR. #1
CH-07	CATENARY SUPP. STR. #2 - TEMP. CONFIG.
CH-08	CATENARY SUPP. STR. #2 - PERM. CONFIG.
CH-09	TEMP. CATENARY SUPP. STR. #3
CH-10	PERM. CATENARY SUPP. STR. #3A
CH-11	TEMP. CATENARY SUPP. STR. #4
CH-12	TEMP. CATENARY SUPP. STR. #5
CH-13	TEMP. CATENARY SUPP. STR. #6
CH-14	TEMP. CATENARY SUPP. STR. #7
CH-15	TEMP. CATENARY SUPP. STR. #8
CH-16	TEMP. CATENARY SUPP. STR. #9
CH-17	PERM. CATENARY SUPP. STR. #9A
CH-18	TEMP. CATENARY SUPP. STR. #10
CH-19	CATENARY SUPP. STR. #11 - TEMP. CONFIG.
CH-20	CATENARY SUPP. STR. #11 - PERM. CONFIG.

NOTE:
SEE TRACK CONSTRUCTION STAGING PLANS FOR
SEQUENCING OF CATENARY HARDWARE CONSTRUCTION.

NOTE:
PART NUMBERS SHOWN AS #44-XXXXX-X
ARE METRA PART NUMBERS.

REVISIONS	
NAME	DATE

ILLINOIS DEPARTMENT OF TRANSPORTATION
US RTE 6 FROM I-294 TO IL RTE 1
METRA OVER 159TH STREET

**CATENARY HARDWARE
TYPICAL CATENARY SPAN**

SHT. CH-01 OF CH-20
DATE 2/21/2008
DRAWN BY PMV
CHECKED BY DEY