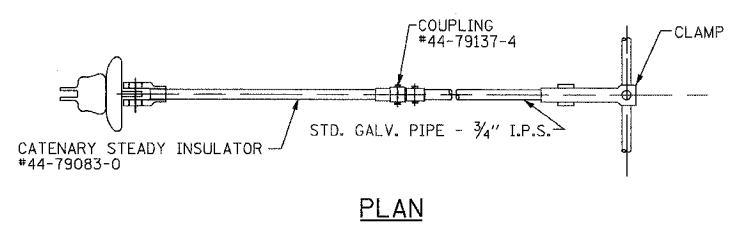
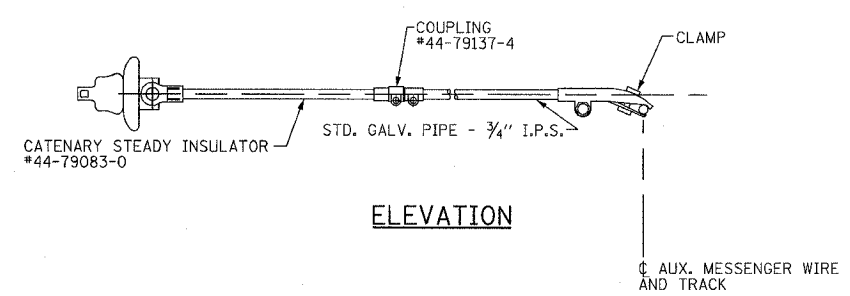


ROUTE NO.	SECTION	COUNTY	TOTAL SHEETS	SHEET NO.
F.A.P. 351	2008-001VB	COOK	579	324
STA.		TO STA.		
FED. ROAD DIST. NO. 7		ILLINOIS	FED. AID PROJECT	
CONTRACT NO. 60E10				

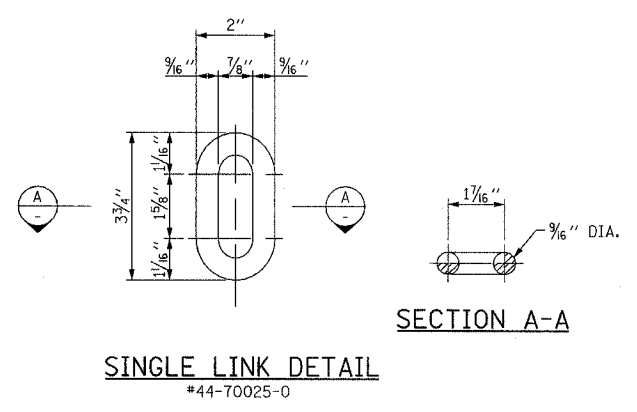


PLAN

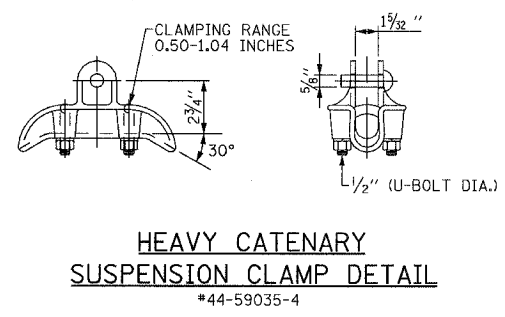


ELEVATION

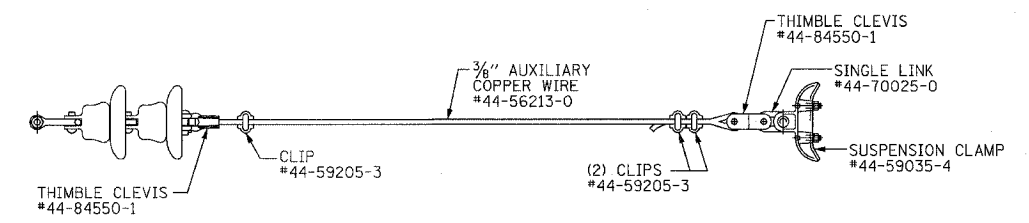
STEADY ARM ASSEMBLY SA-1



SINGLE LINK DETAIL
#44-70025-0

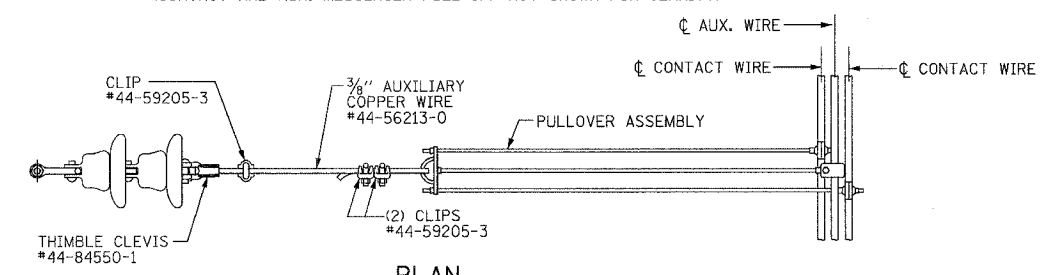


HEAVY CATENARY SUSPENSION CLAMP DETAIL
#44-59035-4



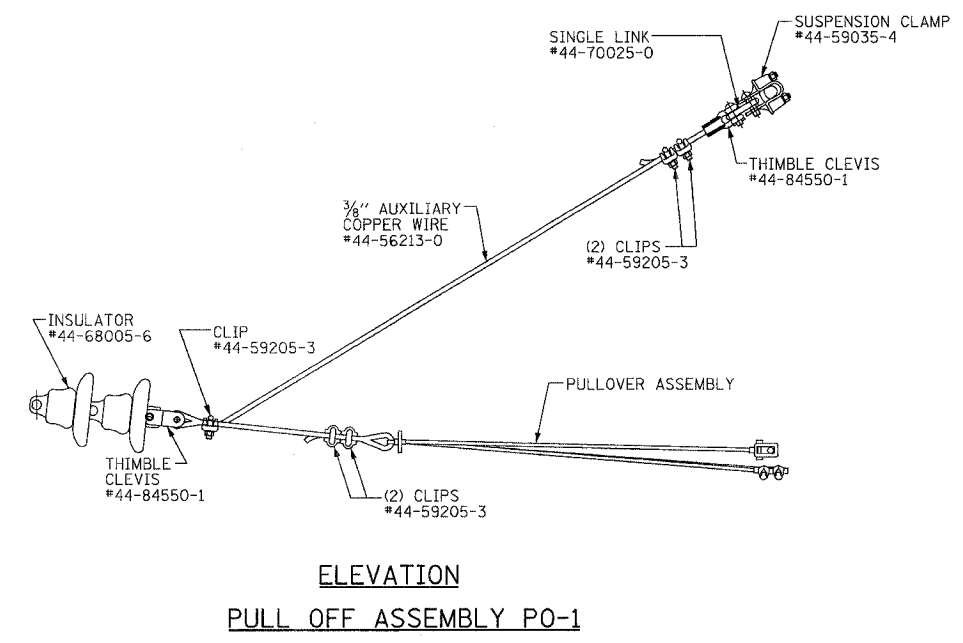
PLAN

(CONTACT AND AUX. MESSENGER PULL-OFF NOT SHOWN FOR CLARITY)



ELEVATION

(MAIN MESSENGER PULL-OFF NOT SHOWN FOR CLARITY)



ELEVATION

PULL OFF ASSEMBLY PO-1

NOTE:
PART NUMBERS SHOWN AS #44-XXXX-X
ARE METRA PART NUMBERS.

REVISIONS	
NAME	DATE

ILLINOIS DEPARTMENT OF TRANSPORTATION
US RTE 6 FROM I-294 TO IL RTE 1
METRA OVER 159TH STREET

CATENARY HARDWARE
DETAILS SHEET 2

SHT. CH-04 OF CH-20
DATE 2/21/2008
DRAWN BY PMV
CHECKED BY DEY

3/13/2008 2:39:25 PM

q:\17049\catenary\plans-coathardware\04 catenary hardware details 2.dgn