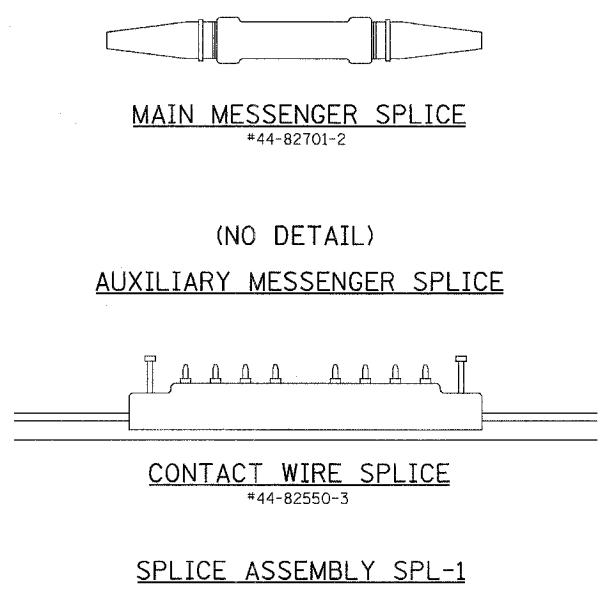
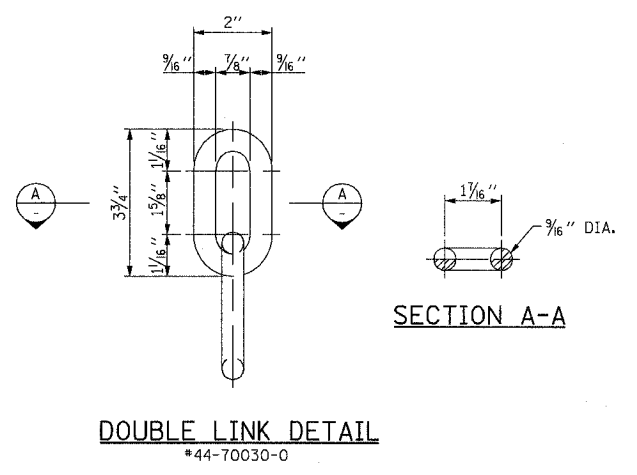
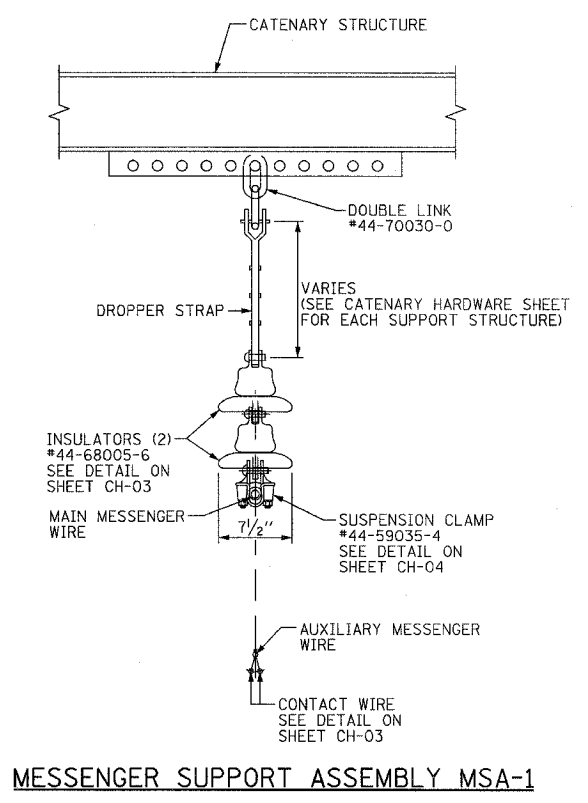


|                       |            |          |              |                  |
|-----------------------|------------|----------|--------------|------------------|
| ROUTE NO.             | SECTION    | COUNTY   | TOTAL SHEETS | SHEET NO.        |
| F.A.P. 351            | 2008-001VB | COOK     | 579          | 325              |
| STA.                  |            | TO STA.  |              |                  |
| FED. ROAD DIST. NO. 7 |            | ILLINOIS |              | FED. AID PROJECT |
| CONTRACT NO. 60E10    |            |          |              |                  |

3/13/2008 2:39:27 PM

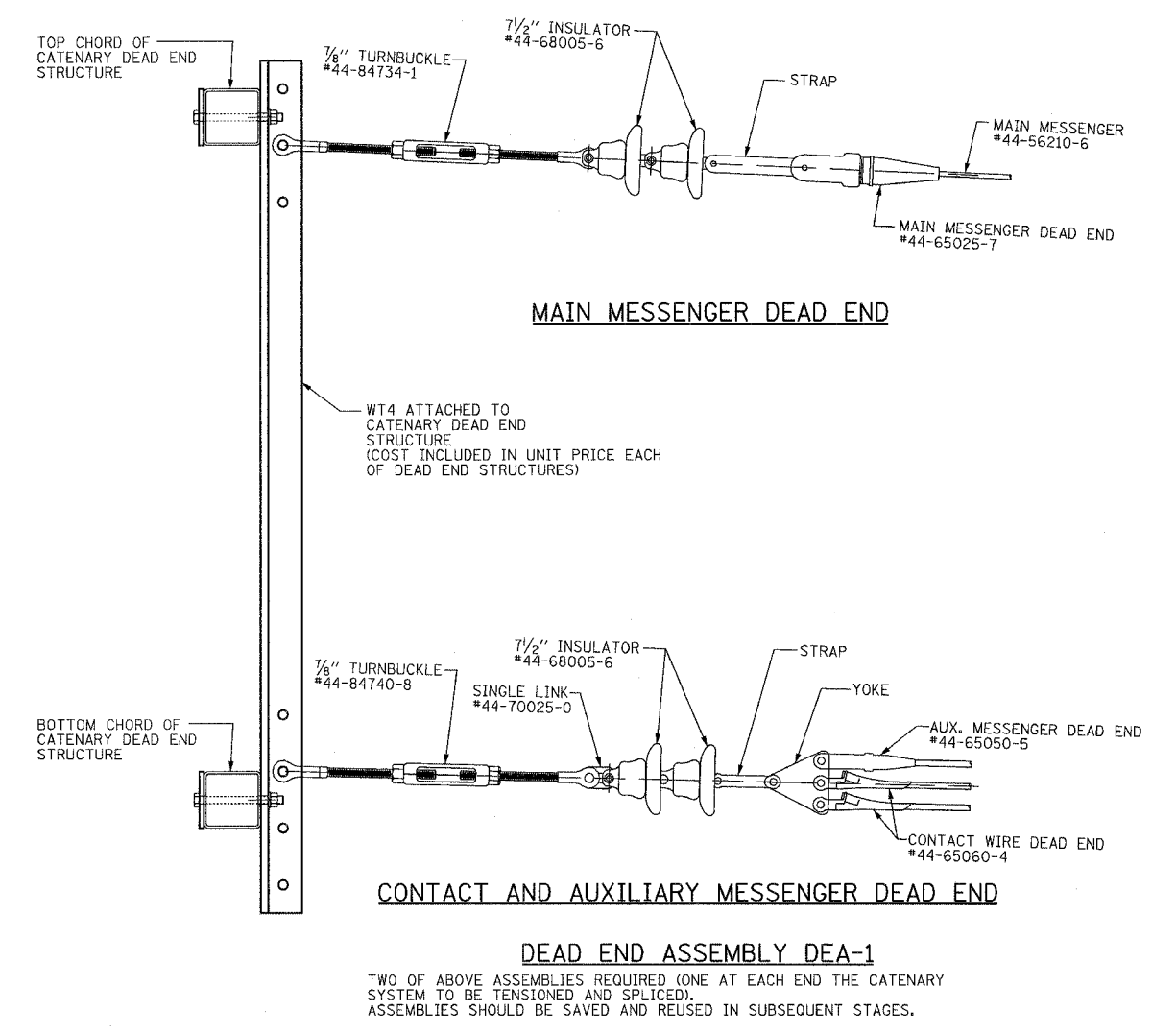
q:\17049\069\catenary\plans-cathardware\05 catenary hardware details 3.dgn



ONE SPLICE ASSEMBLY INCLUDES:  
 ONE MAIN MESSENGER SPLICE, ONE AUXILIARY MESSENGER SPLICE,  
 AND TWO CONTACT WIRE SPLICES REQUIRED AT EACH LOCATION  
 WHERE CATENARY SYSTEM IS TO BE SPLICED.

ONE ASSEMBLY REQUIRED AT EACH END OF THE TEMPORARY CATENARY  
 SYSTEMS FOR TEMPORARY DIVERSION TRACKS 1 & 2 (FOUR LOCATIONS)  
 ONE ASSEMBLY REQUIRED AT EACH END OF THE PERMANENT CATENARY  
 SYSTEMS FOR PERMANENT TRACKS 1 & 2 (FOUR LOCATIONS)

TOTAL NUMBER OF LOCATIONS = 8



**BILL OF MATERIAL**

| QTY. | UNIT | MARK  | DESCRIPTION       |
|------|------|-------|-------------------|
| 2    | EACH | DEA-1 | DEAD END ASSEMBLY |
| 8    | EACH | SPL-1 | SPLICE ASSEMBLY   |

NOTE:  
 PART NUMBERS SHOWN AS #44-XXXXX-X  
 ARE METRA PART NUMBERS.

| REVISIONS |      |
|-----------|------|
| NAME      | DATE |
|           |      |
|           |      |
|           |      |
|           |      |
|           |      |
|           |      |
|           |      |
|           |      |
|           |      |
|           |      |

ILLINOIS DEPARTMENT OF TRANSPORTATION  
 US RTE 6 FROM I-294 TO IL RTE 1  
 METRA OVER 159TH STREET

**CATENARY HARDWARE  
 DETAILS SHEET 3**

SHT. CH-05 OF CH-20  
 DATE 2/21/2008

DRAWN BY PMV  
 CHECKED BY DEY