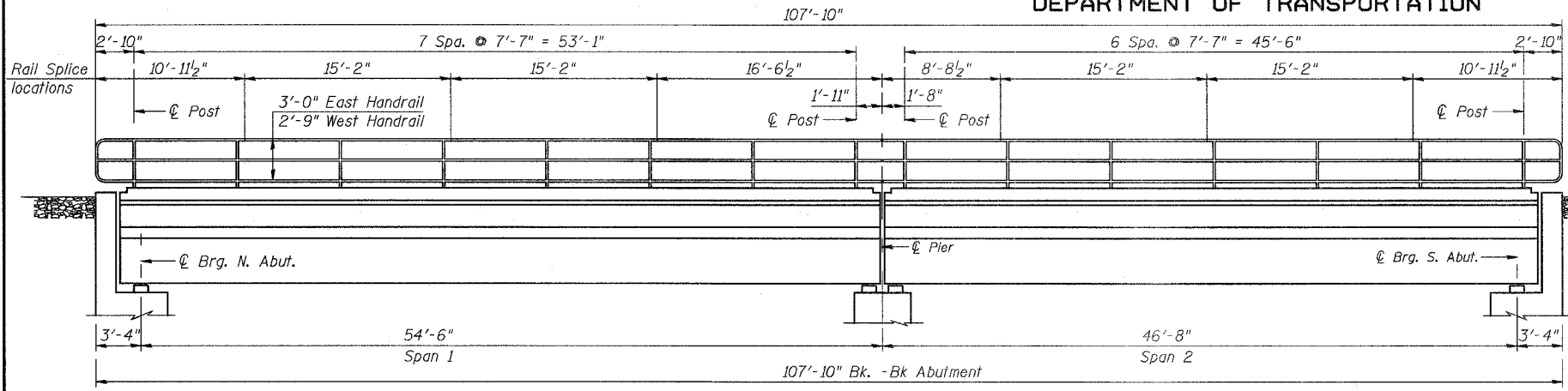


STATE OF ILLINOIS
DEPARTMENT OF TRANSPORTATION

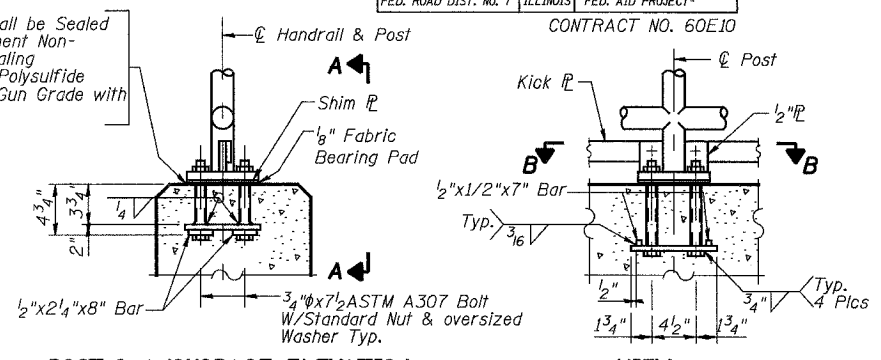
ROUTE NO.	SECTION	COUNTY	TOTAL SHEETS	SHEET NO.
F.A.P. 351	2008-001VB	COOK	579	357
FED. ROAD DIST. NO. 7		ILLINOIS	FED. AID PROJECT-	

CONTRACT NO. 60E10



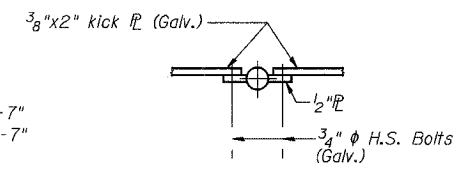
ELEVATION OF EAST OR WEST HANDRAIL LOOKING EAST

Base of Post Shall be Sealed with Two Component Non-Staining Gray Sealing Compounds with Polysulfide Liquid Polymers-Gun Grade with Primer.

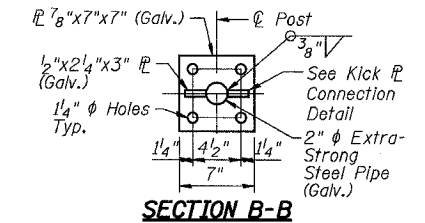


POST & ANCHORAGE ELEVATION

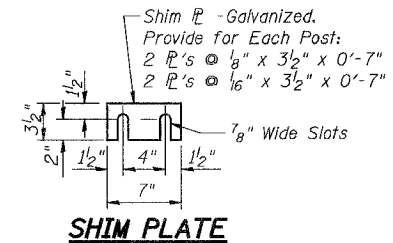
VIEW A-A



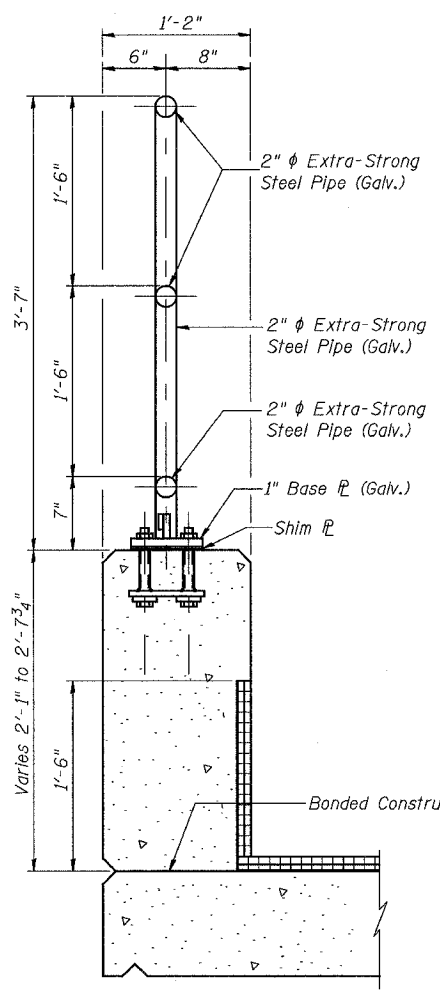
KICK PLATE CONNECTION DETAIL



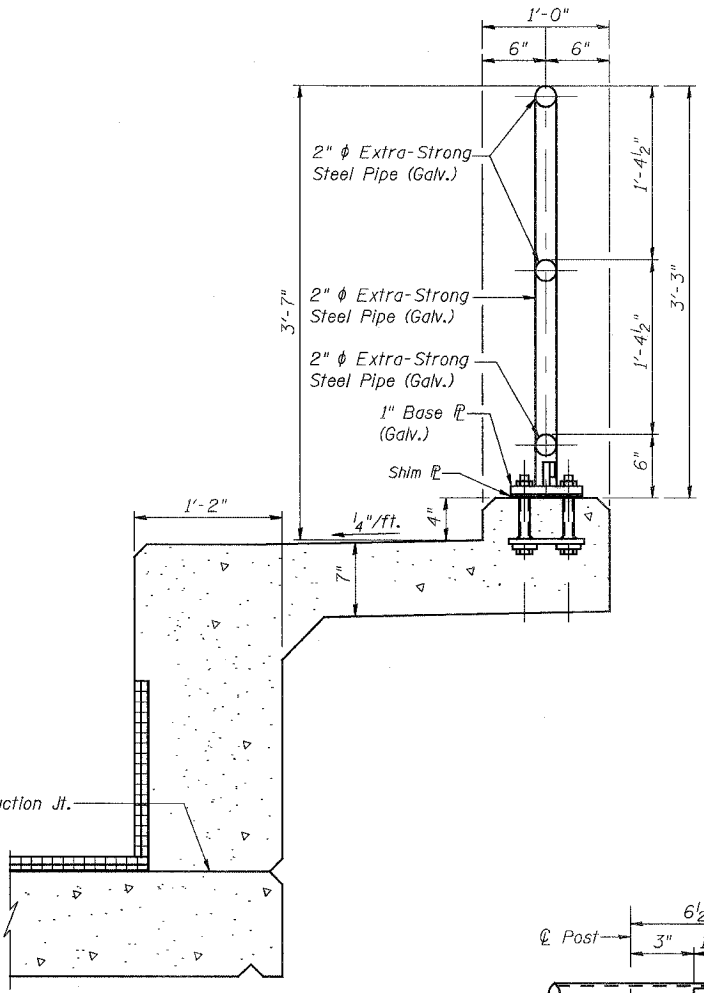
ANCHOR BOLT DETAILS



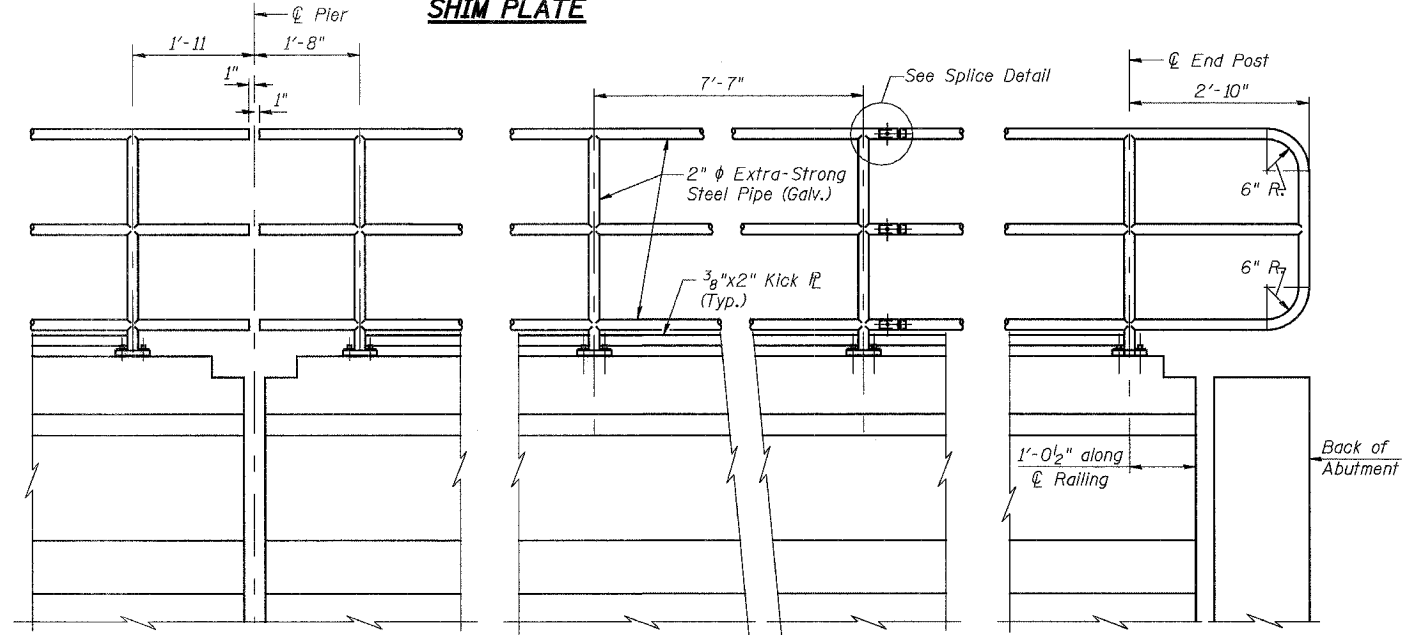
SHIM PLATE



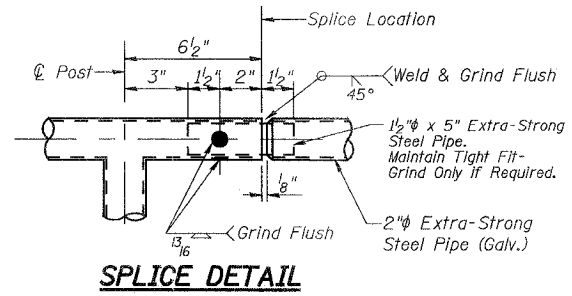
TYPICAL SECTION EAST SIDE LOOKING SOUTH



TYPICAL SECTION WEST SIDE LOOKING SOUTH



RAILING ELEVATIONS



SPlice DETAIL

- Notes:
- All bolts, Nuts & Washers shall be galvanized according to AASHTO M 232.
 - All posts, pipe, pipe splices, base plates, and shim plates shall be galvanized after shop fabrication according to AASHTO M 111 and ASTM A 385. Galvanized pipe shall not be painted.
 - Horizontal dimensions in elevation views are along \bar{C} Railing.

BILL OF MATERIAL

Item	Unit	Quantity
Pipe Handrail, Special	Foot	216

REVISIONS	
NAME	DATE

ILLINOIS DEPARTMENT OF TRANSPORTATION
US RTE 6 FROM I-294 TO IL RTE 1
SUPERSTRUCTURE RAILINGS

METRA & CN BRIDGE 20.6
OVER U.S. RTE. 6 (159TH STREET)
STATION 91+24.94 STRUCTURE NO. 016-2755
SCALE: DATE: 2/21/2008

URS
100 South Wacker Drive,
Suite 500
Chicago, IL 60606
(312) 939-1000

5/16/2008 4:33:50 PM G:\17049\structures\2755_w_r\final_design_drws\09-superstruc_railings.dwg

DESIGNED DRS
CHECKED JJG
DRAWN DRS/SOI
CHECKED JJG