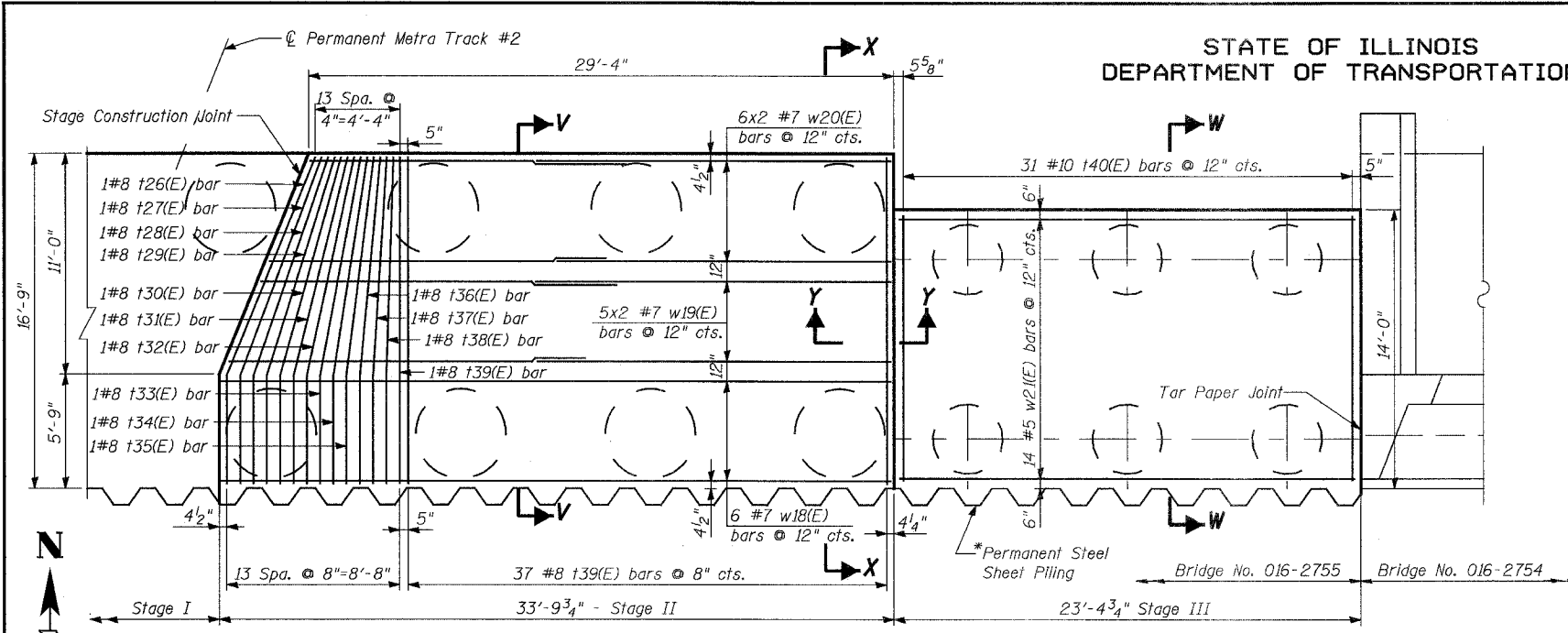


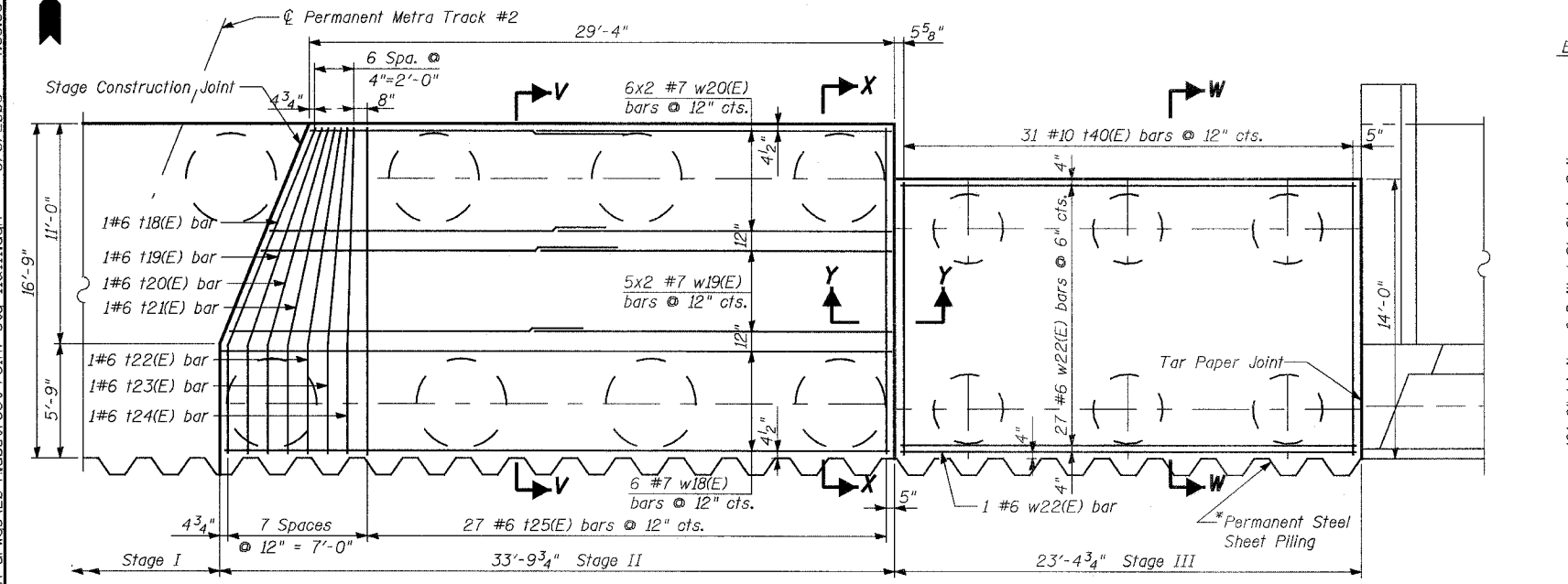
STATE OF ILLINOIS
DEPARTMENT OF TRANSPORTATION

ROUTE NO.	SECTION	COUNTY	TOTAL SHEETS	SHEET NO.
F.A.P. 351	2008-001VB	COOK	579	368
FED. ROAD DIST. NO. 7		ILLINOIS	FED. AID PROJECT-	
CONTRACT NO. 60E10				

SHEET NO. 20
37 SHEETS



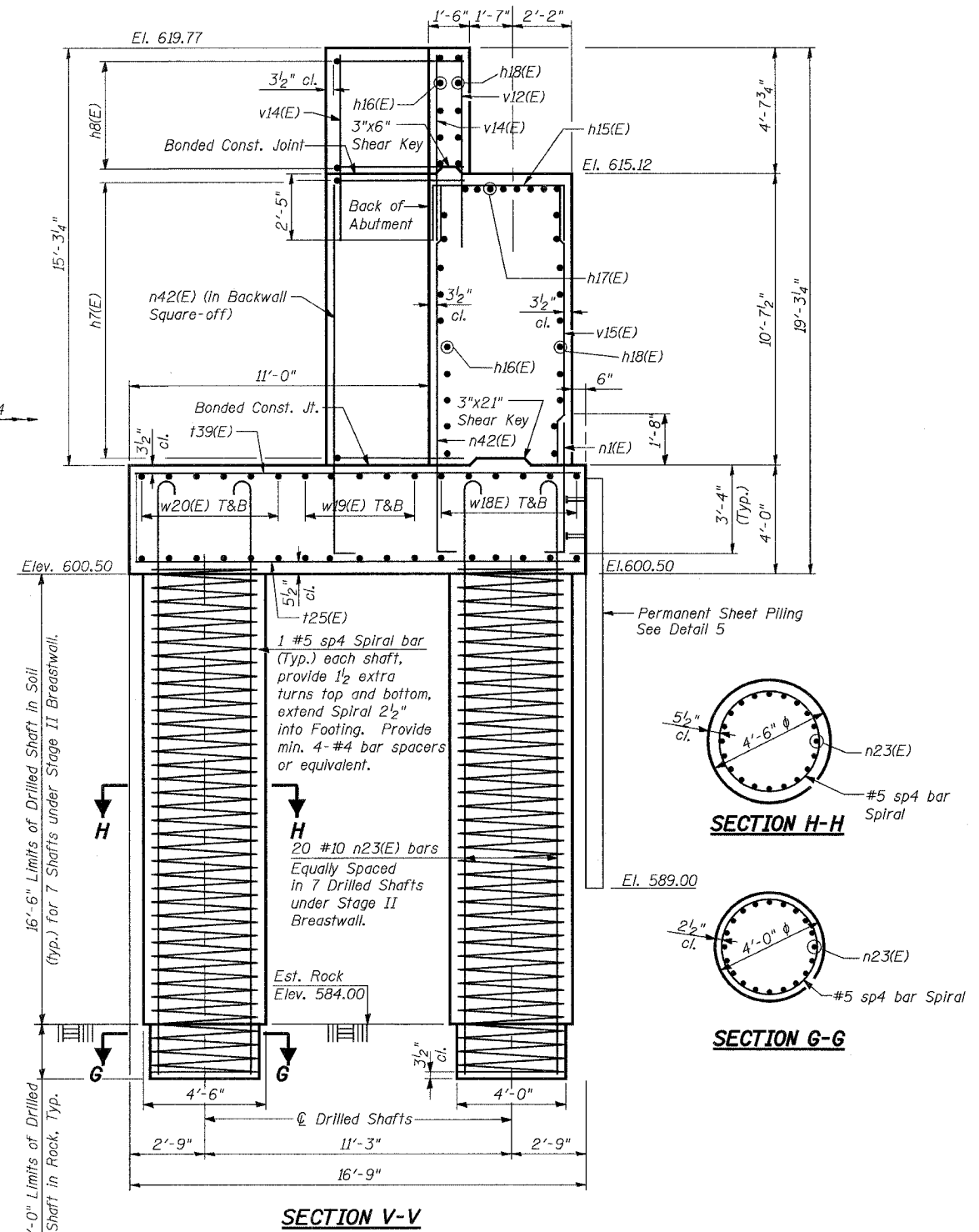
FOOTING PLAN WITH TOP REINFORCEMENT



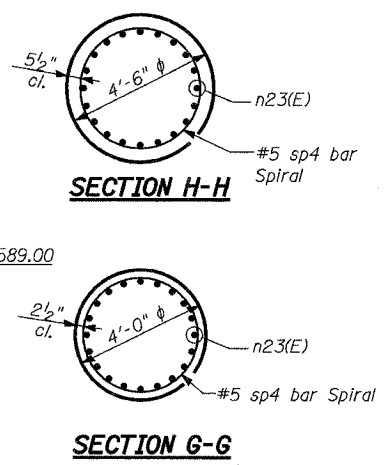
FOOTING PLAN WITH BOTTOM REINFORCEMENT

Notes:

- For Bill of Materials and Sections X-X and Y-Y, see Sheet No. 21 of 37.
- Drilled Shafts shall be drilled to Elevation 581.00. Quantities and Detailing are for the estimated Elevations shown on the Plans. The actual conditions encountered in each Shaft may differ and the Drilled Shaft and Reinforcement Quantities shall be adjusted accordingly as directed by the Engineer and paid for at the corresponding Unit Bid Price.
- Do not excavate deeper than bottom of footing elevation shown without written permission from Engineer.
- For Section W-W See Sht. 19 of 37.
- For Detail 5, see Sheet No. 18 of 37.
- * Permanent Steel Sheet Piling with minimum S = 6.10 in²/foot to be used as footing form.



SECTION V-V



5/17/04 9:09 AM Structures\2755.w.r.r.\final design drawings\20-n-abutfoot-reinf-stg ii&iii.dwg 4:33:53 PM 5/16/2008

DESIGNED	DRS
CHECKED	JJG
DRAWN	SOI
CHECKED	JJG

URS
100 South Wacker Drive,
Suite 500
Chicago, IL 60606
(312) 939-1000

REVISIONS	
NAME	DATE

ILLINOIS DEPARTMENT OF TRANSPORTATION
US RTE 6 FROM I-294 TO IL RTE 1
**NORTH ABUTMENT FOOTING
REINF, STAGES II & III**
METRA & CN BRIDGE 20.6
OVER U.S. RTE. 6 (159TH STREET)
STATION 91+24.94 STRUCTURE NO. 016-2755
SCALE: DATE: 2/21/2008