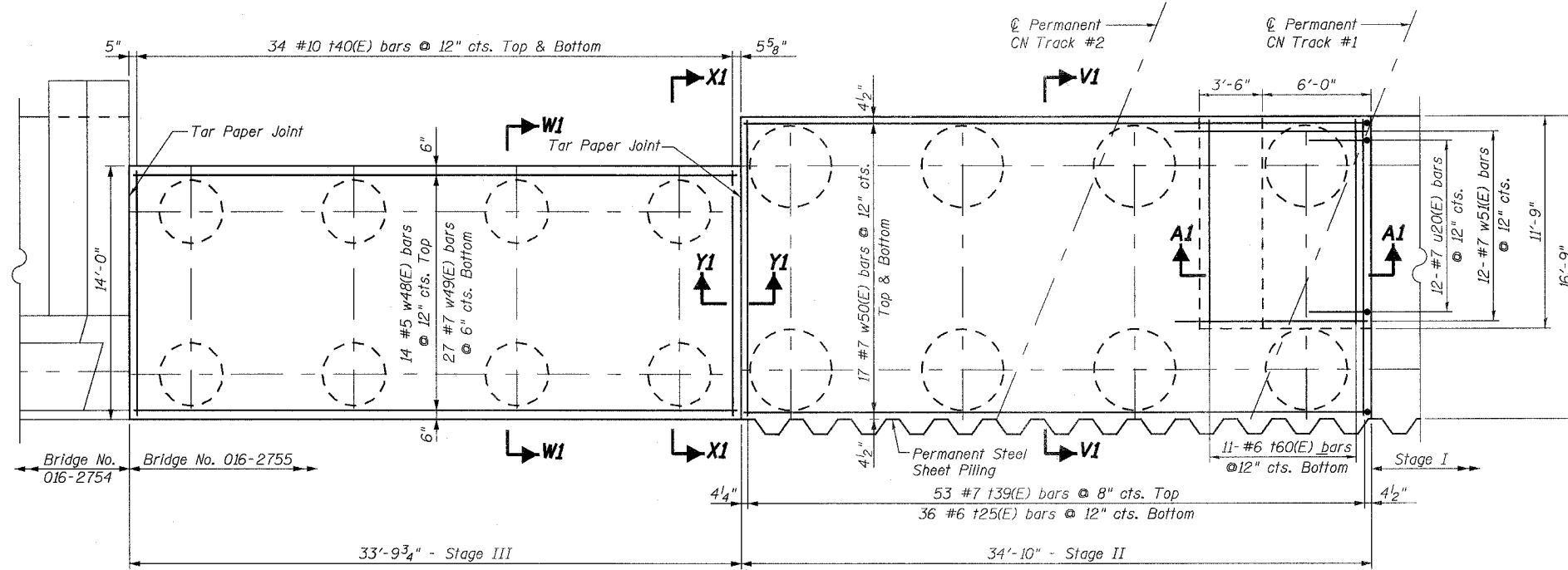


STATE OF ILLINOIS
DEPARTMENT OF TRANSPORTATION

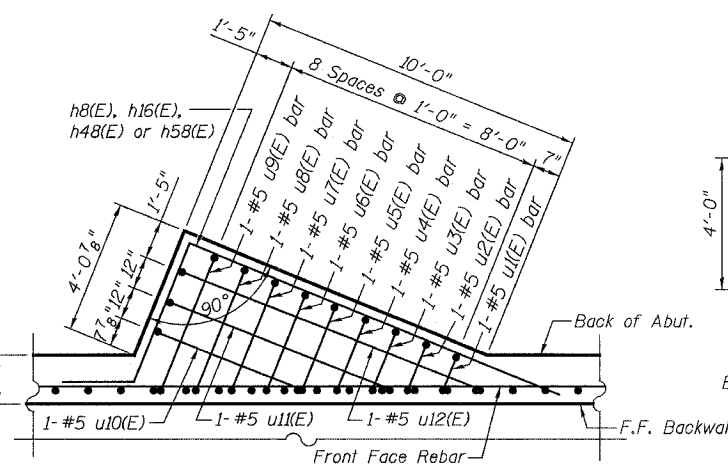
ROUTE NO.	SECTION	COUNTY	TOTAL SHEETS	SHEET NO.
F.A.P. 351	2008-001VB	COOK	579	374
FED. ROAD DIST. NO. 7		ILLINOIS	FED. AID PROJECT-	

SHEET NO. 26
37 SHEETS

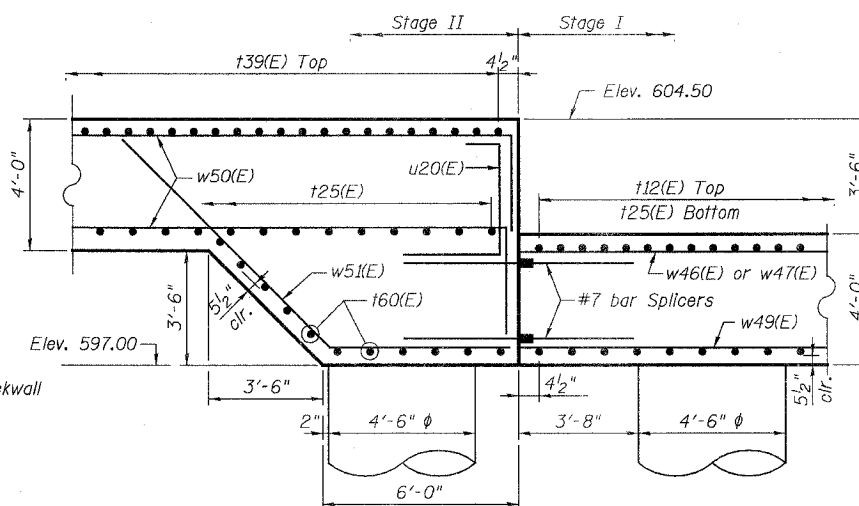
CONTRACT NO. 60E10



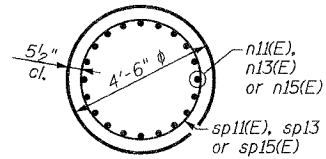
FOOTING REINFORCEMENT PLAN



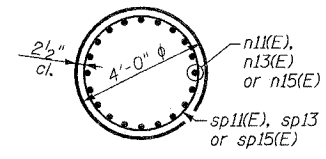
ABUTMENT BACKWALL SQUARE-OFF PLAN



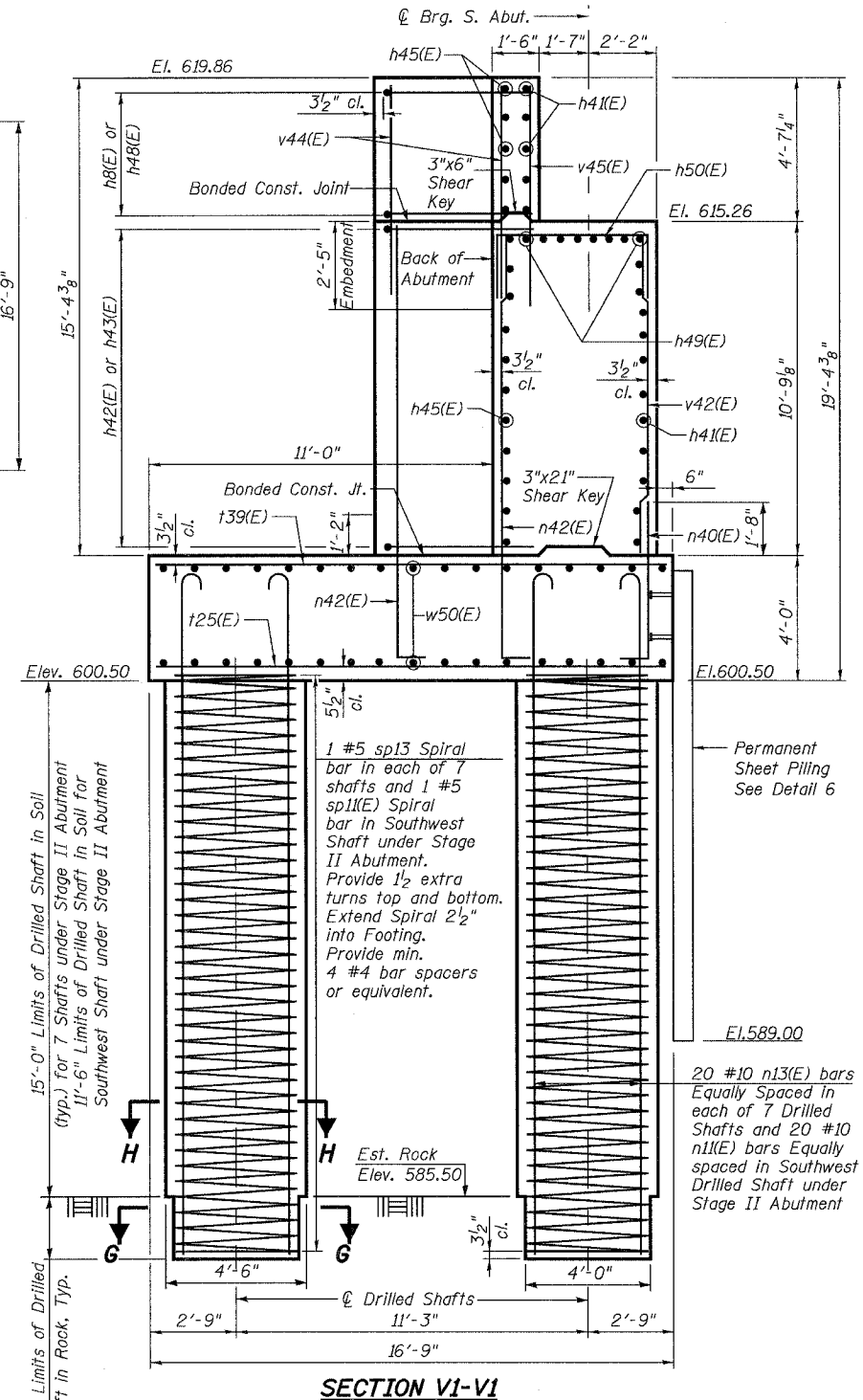
SECTION A1-A1



SECTION H-H



SECTION G-G



SECTION V1-V1

Notes:

- For Bill of Material, see Sheet No. 27 of 37.
- Eight Drilled Shafts shall be drilled to Elevation 581.00 as shown in Section W1-W1, and eight Drilled Shafts shall be drilled to Elev. 582.50 as shown in Section V1-V1. Quantities and detailing are for the estimated elevations shown on the Plans. The actual conditions encountered in each Shaft may differ, and the Drilled Shaft and Reinforcement Quantities shall be adjusted accordingly as directed by the Engineer and paid for at the corresponding Unit Bid Price.
- Do not excavate deeper than bottom of footing elevation shown without written permission from the Engineer.
- For Section W1-W1 and additional locations of Sections X1-X1, Y1-Y1, and V1-V1, see Sheet No. 25 of 37.
- For Sections X1-X1 and Y1-Y1, see Sheet No. 27 of 37.
- For Detail 6, see Sheet No. 23 of 37.
- In Abutment Backwall Square Off Plan, most vertical reinforcement bars are not shown for clarity. Provide 3/2" bar clearance from top concrete surface of backwall square off to bars u1(E) thru u9(E) with bars u10(E), u11(E) & u12(E) under u1(E) thru u9(E). Adjust spacing of bars u1(E) thru u12(E) as necessary to accommodate vertical reinforcement bars. Provide bars u1(E) thru u12(E) to each of 4 locations in each abutment.

REVISIONS	
NAME	DATE

ILLINOIS DEPARTMENT OF TRANSPORTATION
US RTE 6 FROM I-294 TO IL RTE 1
SOUTH ABUTMENT FOOTING REINF. STAGES II & III
METRA & CN BRIDGE 20.6
OVER U.S. RTE. 6 (159TH STREET)
STATION 91+24.94 STRUCTURE NO. 016-2755
SCALE: DATE: 2/21/2008

URS
100 South Wacker Drive,
Suite 500
Chicago, IL 60606
(312) 939-1000

5/16/2008 5:06:42 PM G:\17049\069\structures\2755\wrr\final design\dwgs\26-subut.ftg.reinf.dwg

DESIGNED DRS
CHECKED JGG
DRAWN SOI
CHECKED JGG