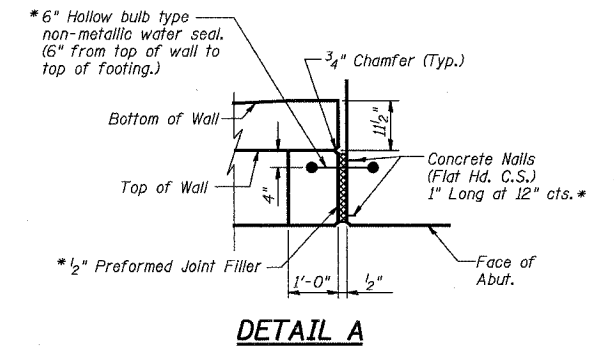
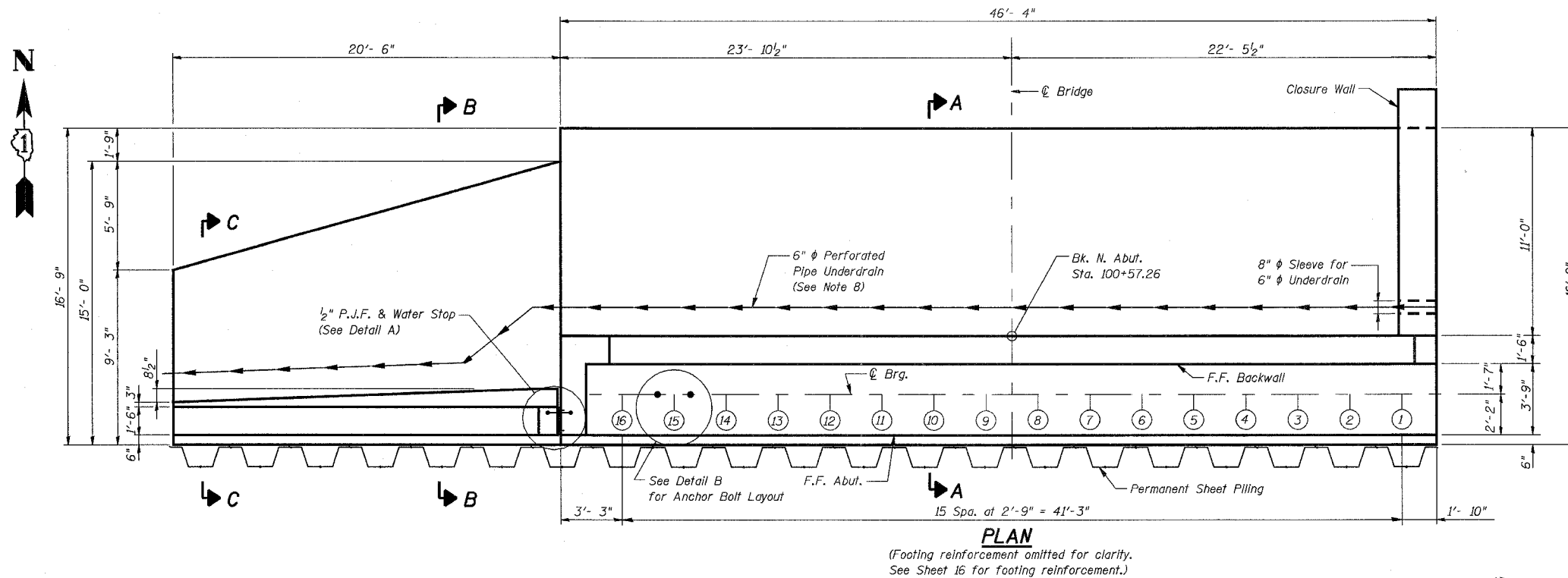


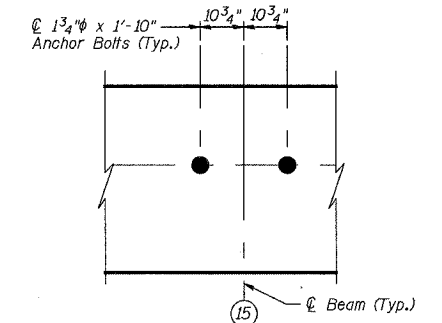
STATE OF ILLINOIS
DEPARTMENT OF TRANSPORTATION

ROUTE NO.	SECTION	COUNTY	TOTAL SHEETS	SHEET NO.
F.A.P. 351	200B-001VB	COOK	579	397
FED. ROAD DIST. NO. 7	ILLINOIS	FED. AID PROJECT-	CONTRACT NO. 60E10	

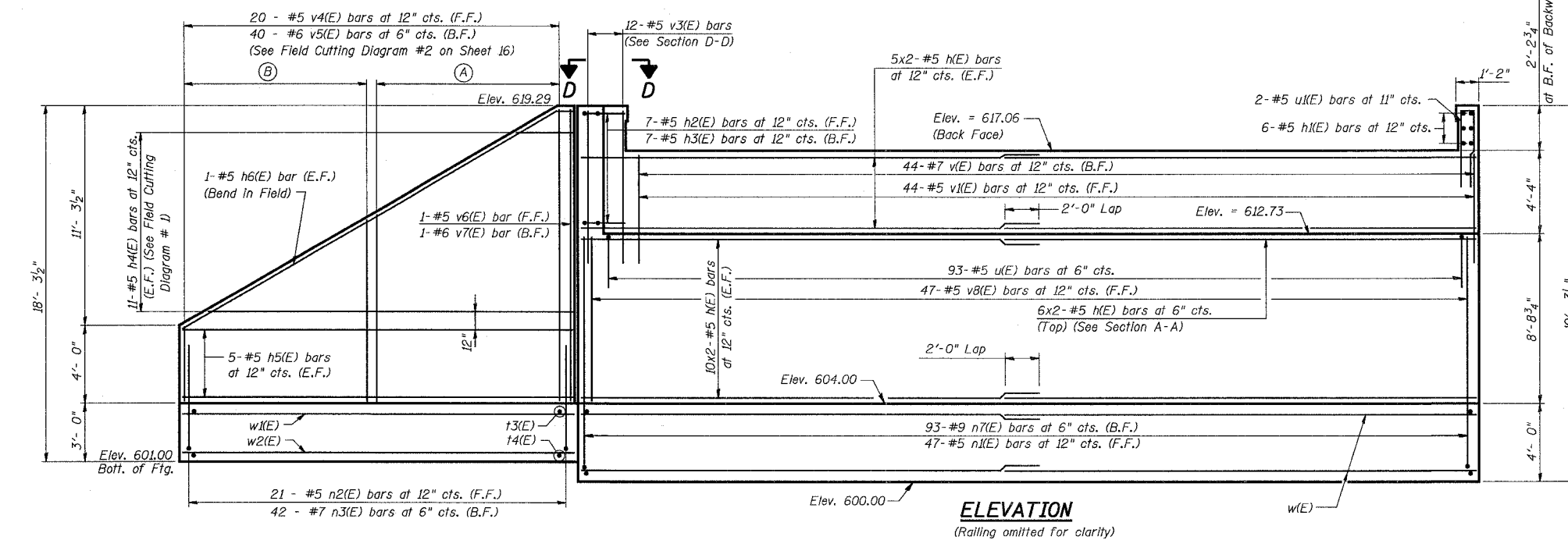
SHEET NO. 12
25 SHEETS



* Cost included with Concrete Structures.



DETAIL B



LEGEND

F.F. - Front Face
B.F. - Back Face
E.F. - Each Face

- NOTES:**
1. Reinforcement bars designated (E) shall be epoxy coated.
 2. Work this sheet with Sheets 13 through 16.
 3. See Sheet 13 for Sections.
 4. Space reinforcement in seat to miss anchor bolts.
 5. See Sheet 16 for Bill of Materials.
 6. Cost of pipe sleeves is included with Concrete Structures.
 7. See Sheet 13 for Permanent Sheet Piling Detail.
 8. See Sheet 24 of U.S. 6 Mainline Retaining Walls Along 159th Street plans for Pipe Underdrain Layout and Quantities.
 9. For Wingwall Railing Details See Sheet 7.

REVISIONS	
NAME	DATE

ILLINOIS DEPARTMENT OF TRANSPORTATION
US RTE 6 FROM I-294 TO IL RTE 1
**NORTH ABUTMENT
PLAN & ELEVATION**
CN GATEWAY LEAD TRACK
BRIDGE 20.6E OVER U.S. RTE. 6 (159TH STREET)
STATION 93+69.01 STRUCTURE NO. 016-2819
SCALE: 1/4"=1'-0" DATE: 2/21/2008

URS
100 South Wacker Drive,
Suite 500
Chicago, IL 60606
(312) 939-1000

3/13/2008 11:30:12 AM
G:\17049_0689\structures\2819_w.r.dwg\12_n_abut.dwg

DESIGNED	AEU
CHECKED	JPB
DRAWN	AEU
CHECKED	JPB