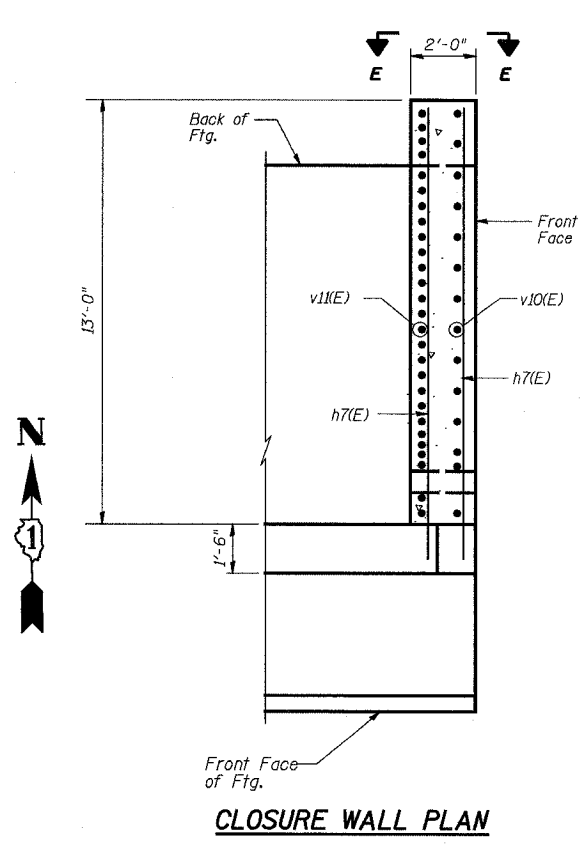


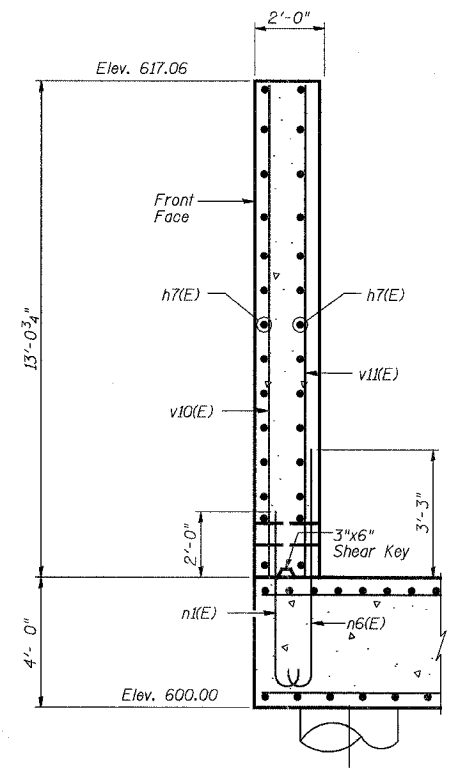
STATE OF ILLINOIS
DEPARTMENT OF TRANSPORTATION

ROUTE NO.	SECTION	COUNTY	TOTAL SHEETS	SHEET NO.
F.A.P. 351	2008-001VB	COOK	579	399
FED. ROAD DIST. NO. 7	ILLINOIS	FED. AID PROJECT-	CONTRACT NO. 60E10	

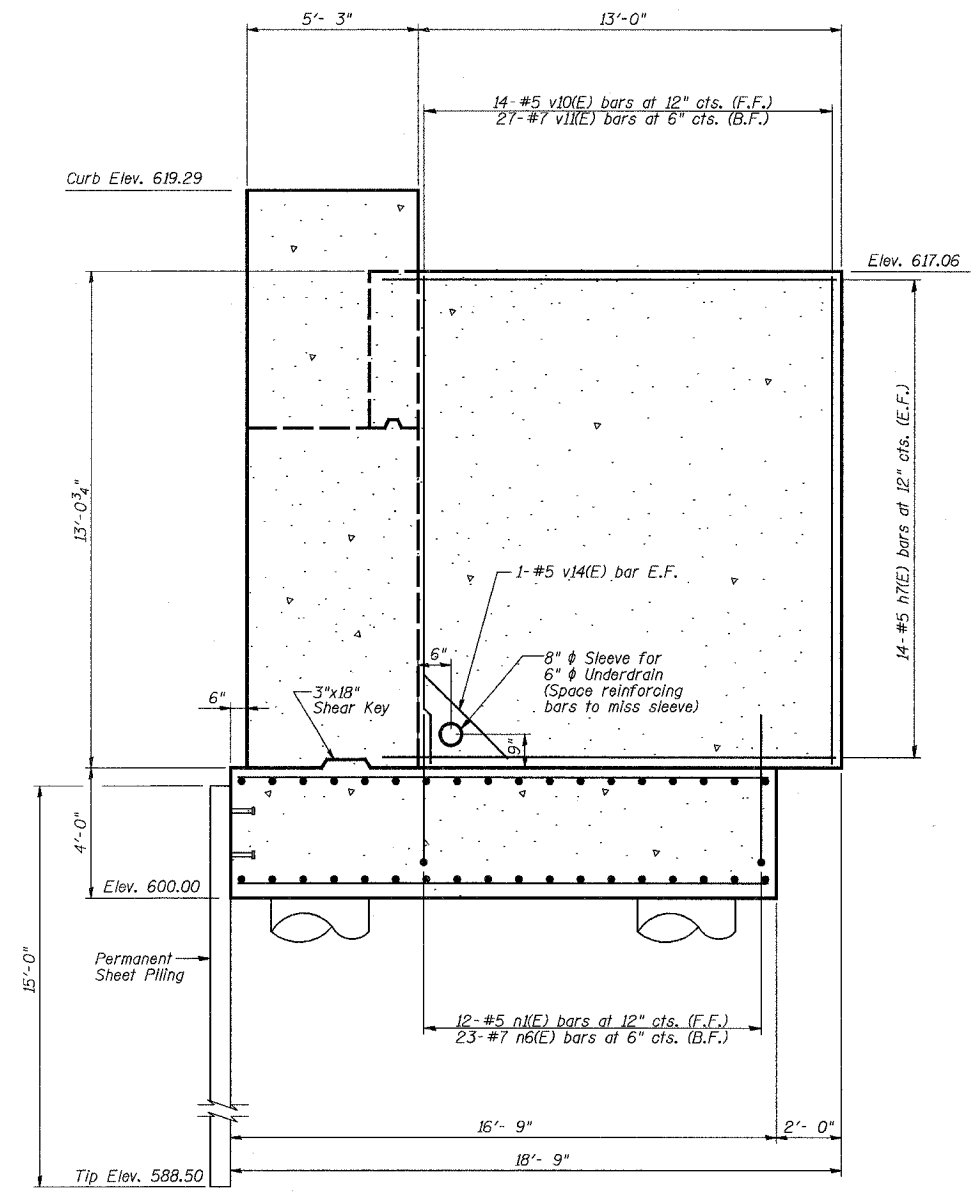
SHEET NO. 14
25 SHEETS



CLOSURE WALL PLAN



SECTION E-E
(Looking South)



CLOSURE WALL ELEVATION
(Looking West)

LEGEND
F.F. - Front Face
B.F. - Back Face
E.F. - Each Face

- NOTES:
1. Reinforcement bars designated (E) shall be epoxy coated.
 2. Work this sheet with Sheets 12 through 15.
 3. See Sheet 16 for Bill of Materials.
 4. Cost of pipe sleeve is included with Concrete Structures.

3/13/2008 11:30:13 AM

C:\17049\069\structures\2819_w_rr\dwg\14_n_abut_det_11.dwg

DESIGNED	AEU
CHECKED	JPB
DRAWN	AEU
CHECKED	JPB

URS
100 South Wacker Drive,
Suite 500
Chicago, IL 60606
(312) 939-1000

REVISIONS	
NAME	DATE

ILLINOIS DEPARTMENT OF TRANSPORTATION
US RTE 6 FROM I-294 TO IL RTE 1
**NORTH ABUTMENT
DETAILS II**
CN GATEWAY LEAD TRACK
BRIDGE 20.6E OVER U.S. RTE. 6 (159TH STREET)
STATION 93+69.01 STRUCTURE NO. 016-2819
SCALE: 3/8"=1'-0"
DATE: 2/21/2008