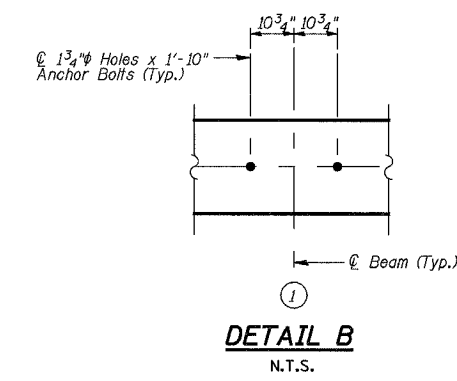
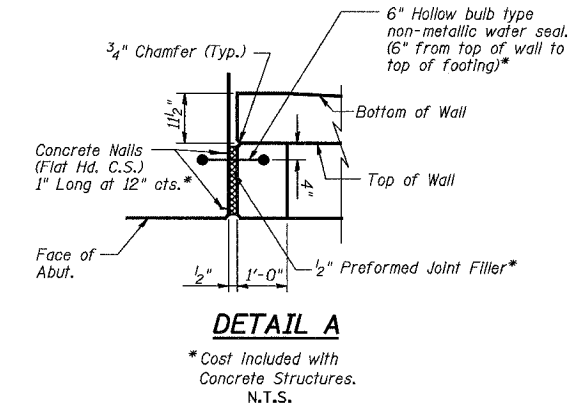
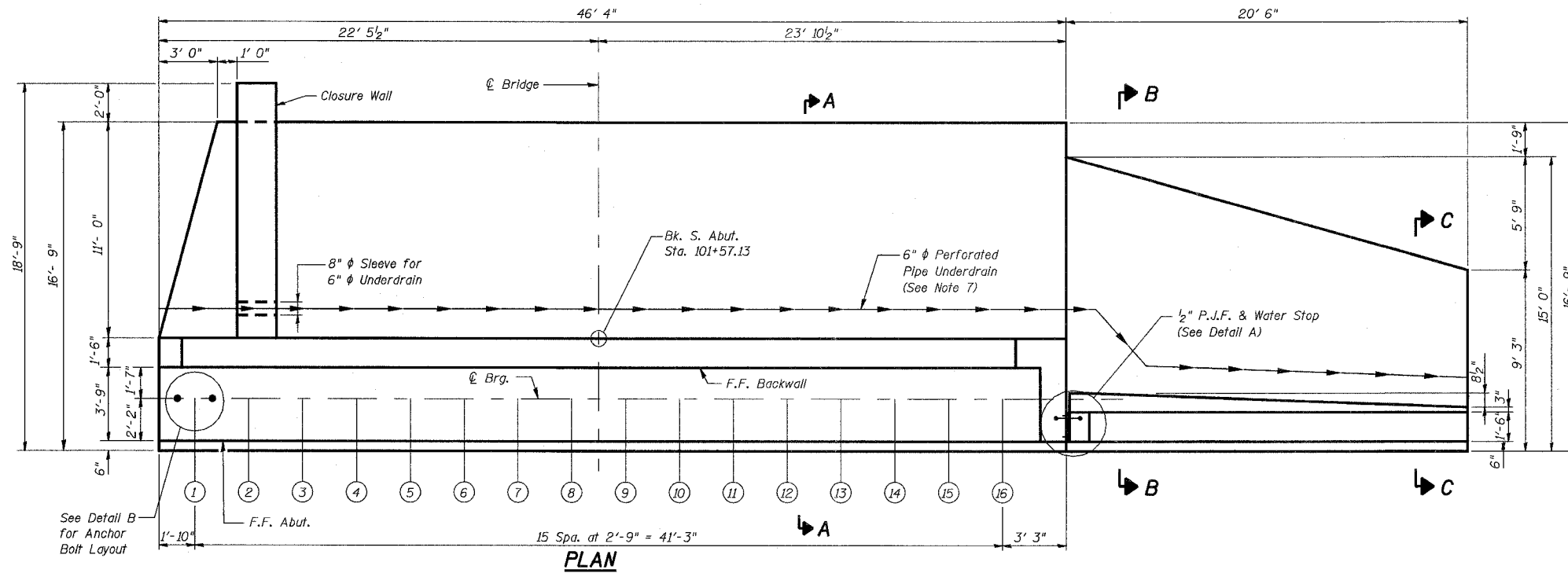


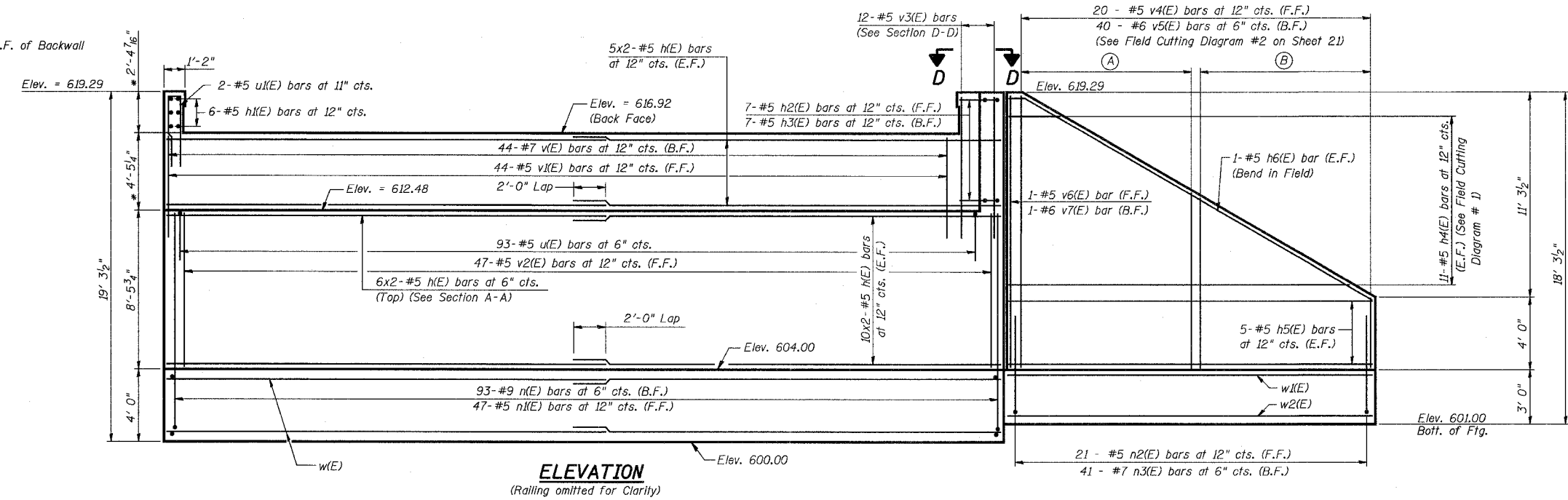
STATE OF ILLINOIS  
DEPARTMENT OF TRANSPORTATION

ROUTE NO.	SECTION	COUNTY	TOTAL SHEETS	SHEET NO.
F.A.P. 351	2008-001VB	COOK	579	402
FED. ROAD DIST. NO. 7	ILLINOIS	FED. AID PROJECT-	CONTRACT NO. 60E10	

SHEET NO. 17  
25 SHEETS



\* at B.F. of Backwall



- NOTES:
1. Reinforcement bars designated (E) shall be epoxy coated.
  2. Work this sheet with Sheets 18 through 21.
  3. See Sheet 18 for Sections.
  4. Space reinforcement in seat to miss anchor bolts.
  5. See Sheet 21 for Bill of Materials.
  6. Cost of pipe sleeves is included with Concrete Structures.
  7. See Sheet 24 of U.S. 6 Mainline Retaining Walls Along 159th Street plans for Pipe Underdrain Layout and Quantities.
  8. See sheet 7 for Wingwall Railing Details.

**LEGEND**

F.F. - Front face  
B.F. - Back face  
E.F. - Each face

3/13/2008 11:30:15 AM g:\17049\_069\structures\2819\_w\_r\_r\_dwg\17\_s\_abutden

DESIGNED	AEU
CHECKED	JPB
DRAWN	AEU
CHECKED	JPB

**URS**  
100 South Wacker Drive,  
Suite 500  
Chicago, IL 60606  
(312) 939-1000

REVISIONS	
NAME	DATE

ILLINOIS DEPARTMENT OF TRANSPORTATION  
US RTE 6 FROM I-294 TO IL RTE 1

**SOUTH ABUTMENT  
PLAN & ELEVATION**

CN GATEWAY LEAD TRACK  
BRIDGE 20.6E OVER U.S. RTE. 6 (159TH STREET)  
STATION 93+69.01 STRUCTURE NO. 016-2819  
SCALE: 1/4"=1'-0" DATE: 2/21/2008