

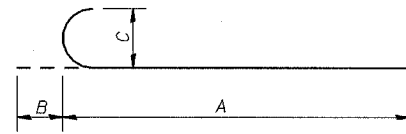
STATE OF ILLINOIS
DEPARTMENT OF TRANSPORTATION

ROUTE NO.	SECTION	COUNTY	TOTAL SHEETS	SHEET NO.
F.A.P. 351	2008-001VB	COOK	579	406
FED. ROAD DIST. NO. 7	ILLINOIS	FED. AID PROJECT-	CONTRACT NO. 60E10	

SHEET NO. 21
25 SHEETS

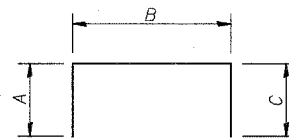
BILL OF MATERIAL - SOUTH ABUTMENT

Bar	No.	Size	Length	Shape
h(E)	72	#5	23'-11"	—
h1(E)	6	#5	0'-11"	—
h2(E)	7	#5	5'-0"	—
h3(E)	7	#5	6'-8"	—
h4(E)	11	#5	20'-3"	—
h5(E)	10	#5	19'-11"	—
h6(E)	2	#5	23'-0"	—
h7(E)	28	#5	13'-11"	—
n(E)	93	#9	13'-0"	—
n1(E)	59	#5	6'-0"	—
n2(E)	21	#5	5'-0"	—
n3(E)	41	#7	6'-7"	—
n4(E)	265	#10	26'-11"	—
n6(E)	23	#7	7'-5"	—
sp	10	#5	22'-2"	—
sp1	5	#5	23'-2"	—
t(E)	62	#10	16'-2"	—
t1(E)	47	#6	16'-2"	—
t2(E)	2	#5	16'-3"	—
t3(E)	18	#7	23'-1"	—
t4(E)	11	#5	23'-1"	—
u(E)	93	#5	8'-8"	—
u1(E)	2	#5	8'-9"	—
v(E)	44	#7	7'-4"	—
v1(E)	44	#5	6'-1"	—
v2(E)	47	#5	8'-3"	—
v3(E)	12	#5	9'-7"	—
v4(E)	10	#5	18'-8"	—
v5(E)	20	#6	18'-8"	—
v6(E)	1	#5	15'-0"	—
v7(E)	1	#6	15'-0"	—
v12(E)	14	#5	12'-8"	—
v13(E)	27	#7	12'-8"	—
v14(E)	2	#5	2'-3"	—
w(E)	72	#7	24'-8"	—
w1(E)	10	#5	19'-11"	—
w2(E)	10	#7	19'-11"	—
w3(E)	3	#5	20'-3"	—
w4(E)	3	#7	20'-3"	—
w5(E)	2	#5	20'-9"	—
Porous Granular Embankment		Cu. Yd.	341	
Concrete Structures		Cu. Yd.	256.1	
Reinforcement Bars		Lbs.	7,260	
Reinforcement Bars (Epoxy Coated)		Lbs.	54,050	
Concrete Sealer		Sq. Ft.	169	
Braced Excavation		Cu. Yd.	359.6	
Geocomposite Wall Drain		Sq. Yd.	77.6	
Structure Excavation		Cu. Yd.	524.4	
Drilled Shaft in Soil		Cu. Yd.	138.1	
Drilled Shaft in Rock		Cu. Yd.	16.7	



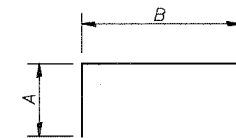
BARS nx(E)

Bar	A	B	C
n(E)	11'-9"	1'-3"	11 ³ / ₄ "
n1(E)	5'-5"	7"	5"
n2(E)	4'-5"	7"	5"
n3(E)	5'-9"	10"	7"
n4(E)	25'-6"	1'-5"	1'-1 ¹ / ₄ "
n6(E)	6'-7"	10"	7"



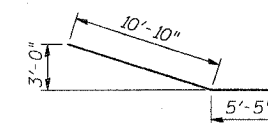
BARS u(E) & u1(E)

Bar	A	B	C
u(E)	2'-0"	4'-8"	2'-0"
u1(E)	4'-1"	7"	4'-1"

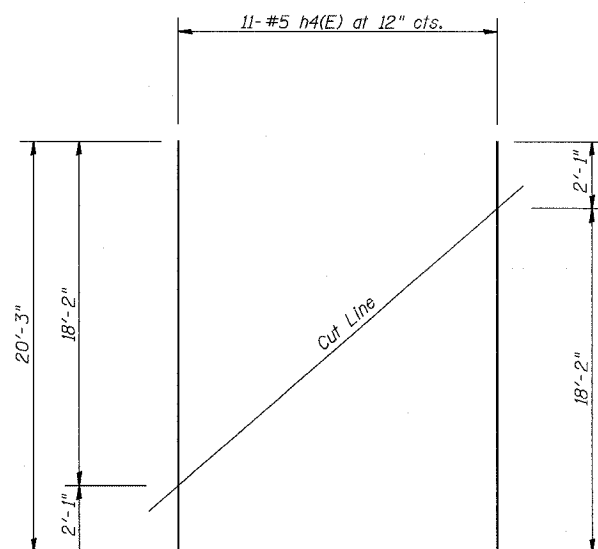


BARS h2(E) & h3(E)

Bar	A	B
h2(E)	1'-3"	3'-9"
h3(E)	2'-0"	4'-8"

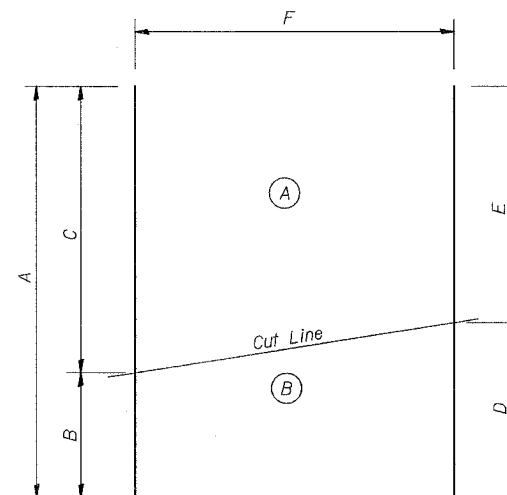


BAR t2(E)



FIELD CUTTING DIAGRAM #1

Order bars full length. Cut bars in field as shown. Use top half in F.F. and bottom half in B.F. for h4(E) bars.



FIELD CUTTING DIAGRAM #2

Order bars full length. Cut bars in field as shown. Place patterns (A) & (B) side by side as shown on sheet 20 for tx(E) bars, sheet 16 for vx(E) bars and sheet 20 for wx(E) bars.

Bar	A	B	C	D	E	F
t3(E)	23'-1"	8'-8"	14'-5"	11'-5 ¹ / ₂ "	11'-7 ¹ / ₂ "	18-#7 bars at 7" cts.
t4(E)	23'-1"	8'-8"	14'-5"	11'-5 ¹ / ₂ "	11'-7 ¹ / ₂ "	11-#5 bars at 12" cts.
v4(E)	18'-8"	3'-8"	15'-0"	9'-1"	9'-7"	10-#5 bars at 12" cts.
v5(E)	18'-8"	3'-8"	15'-0"	9'-2"	9'-6"	20-#6 bars at 6" cts.
w3(E)	20'-3"	1'-3"	19'-0"	8'-4"	11'-11"	3-#5 bars at 12" cts.
w4(E)	20'-3"	1'-3"	19'-0"	8'-4"	11'-11"	3-#7 bars at 12" cts.

Notes: Bars designated (E) shall be epoxy coated.
Length of Spiral given is Height of Spiral. Weight includes Weight of Spacers for Spiral.

3/13/2008 11:30:17 AM

c:\17045\069\structures\2819_w_rf\draw\21_s_abut_bom.dwg

DESIGNED	AEU
CHECKED	JPB
DRAWN	AEU
CHECKED	JPB

URS
100 South Wacker Drive,
Suite 500
Chicago, IL 60606
(312) 939-1000

REVISIONS	
NAME	DATE

ILLINOIS DEPARTMENT OF TRANSPORTATION
US RTE 6 FROM I-294 TO IL RTE 1
**SOUTH ABUTMENT
DETAILS III**
CN GATEWAY LEAD TRACK
BRIDGE 20.6E OVER U.S. RTE. 6 (159TH STREET)
STATION 93+69.01 STRUCTURE NO. 016-2819
SCALE: N.T.S. DATE: 2/21/2008