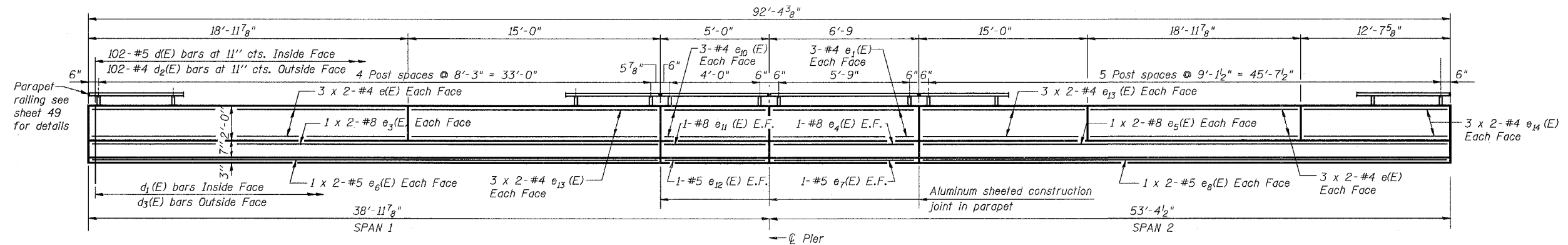


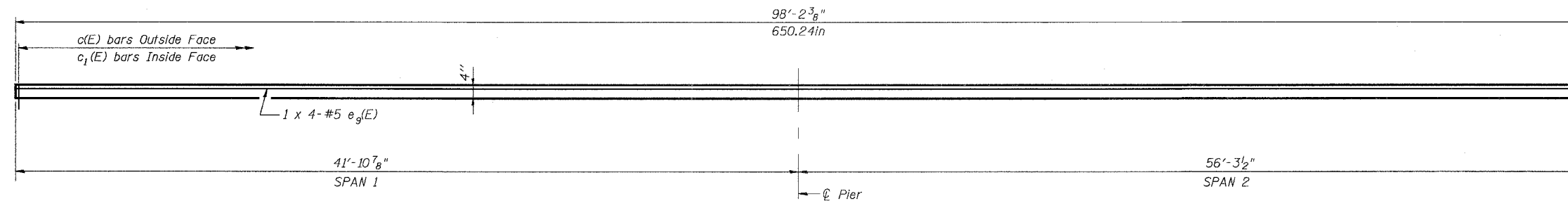
STATE OF ILLINOIS
DEPARTMENT OF TRANSPORTATION

| | | | | |
|-----------------------|------------|----------|-------------------|-----------|
| ROUTE NO. | SECTION | COUNTY | TOTAL SHEETS | SHEET NO. |
| F.A.P. 351 | 2008-001VB | COOK | 579 | 427 |
| FED. ROAD DIST. NO. 7 | | ILLINOIS | FED. AID PROJECT- | |
| CONTRACT NO. 60E10 | | | | |

SHEET NO. 17
54 SHEETS



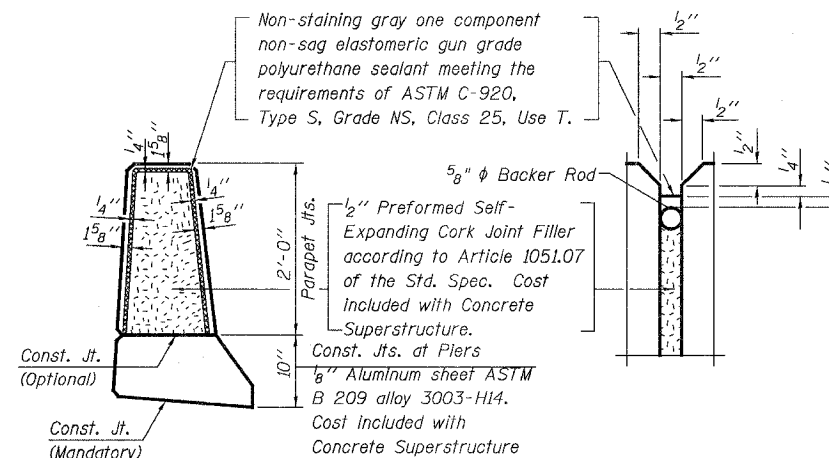
INSIDE ELEVATION OF EAST PARAPET, SN 016-2820, LOOKING EAST
REFLECTED INSIDE ELEVATION OF WEST PARAPET, SN 016-2821



INSIDE ELEVATION OF EAST CURB, SN 016-2820, LOOKING EAST
INSIDE ELEVATION OF WEST CURB, SN 016-2821, LOOKING WEST

Notes:

1. Reinforcement bars designated (E) shall be epoxy coated.
2. Bars indicated thus 1 x 2-#5 etc. indicates 1 line of bars with 2 lengths per line.
3. Min. lap length for #4 bar is 1'-4", #5 bar is 1'-8" and #8 bar is 3'-8".
4. Work this Sheet with Sheets 13 through 16.
5. For bar bending details and Bill of Materials see Sheet 16.
6. If the Contractor elects to use cast-in-place anchor device for Parapet Railing post, then the Contractor must coordinate fabrication of the Parapet Railing with respect to as-built locations of the cast-in-place anchors. The Contractor shall correct any errors in fabrication of the Parapet Railing with respect to as-built locations of cast-in-place anchors at his own expense.



PARAPET JOINT DETAILS

3/13/2008 2:52:37 PM c:\17049\659\structures\2820.w.hvu\dwa\preFinal\plans\17-parapet-details.dgn

| | |
|----------|-----|
| DESIGNED | EV |
| CHECKED | NPP |
| DRAWN | EV |
| CHECKED | NPP |

| REVISIONS | |
|-----------|------|
| NAME | DATE |
| | |
| | |
| | |
| | |
| | |
| | |
| | |
| | |
| | |

ILLINOIS DEPARTMENT OF TRANSPORTATION
US RTE 6 FROM I-294 TO IL RTE 1
PARAPET & CURB DETAILS

STRUCTURES FOR CN INTERMODAL
YARD VEHICLES OVER U.S. RTE. 6 (159TH STREET)
STATION 95+02.14 STRUCTURE NOS. 016-2820
& 016-2821
SCALE: N.T.S. DATE: 2/21/2008

URS
100 South Wacker Drive,
Suite 500
Chicago, IL 60606
(312) 939-1000