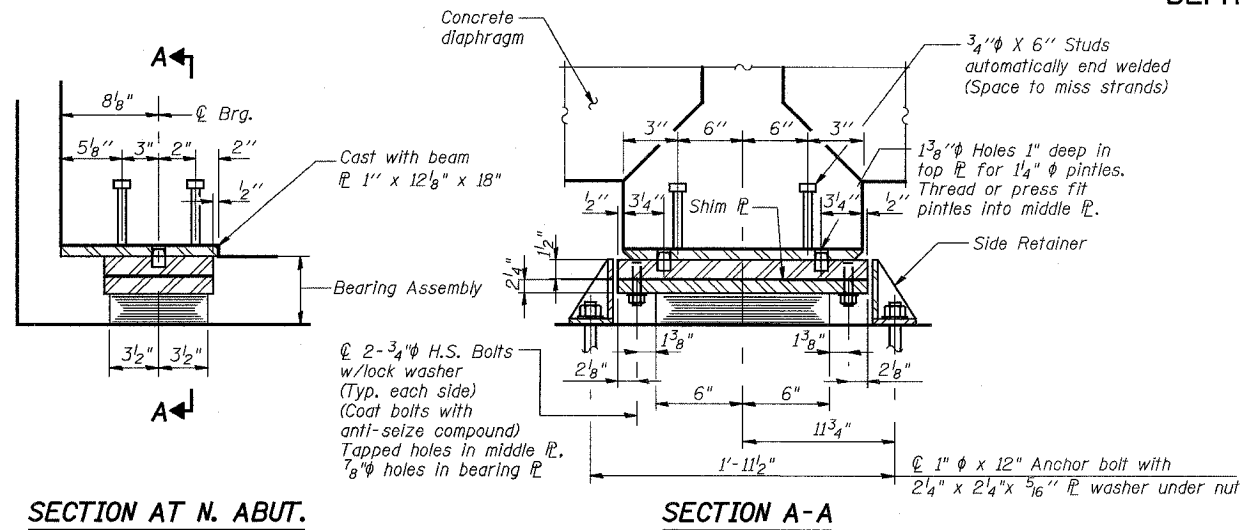


STATE OF ILLINOIS
DEPARTMENT OF TRANSPORTATION

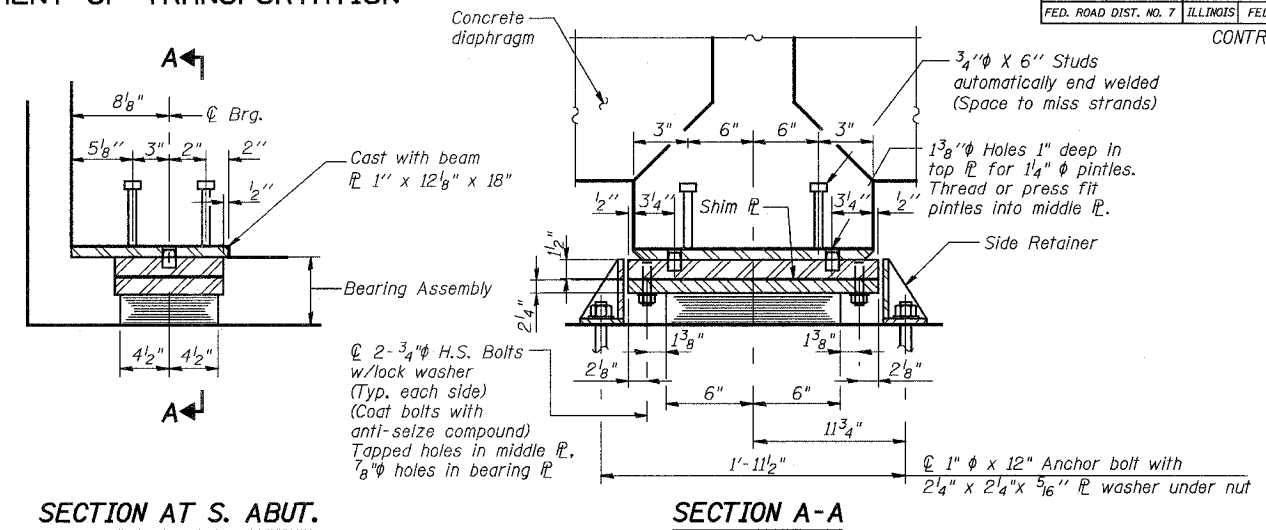
ROUTE NO.	SECTION	COUNTY	TOTAL SHEETS	SHEET NO.
F.A.P. 351	2008-001VB	COOK	579	432
FED. ROAD DIST. NO. 7		ILLINOIS	FED. AID PROJECT-	
CONTRACT NO. 60E10				

SHEET NO. 22
54 SHEETS



SECTION AT N. ABUT.

SECTION A-A

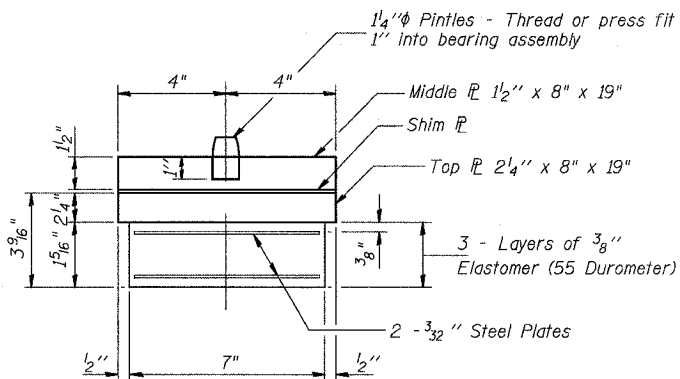


SECTION AT S. ABUT.

SECTION A-A

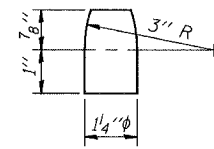
TYPE I ELASTOMERIC EXP. BRG.

(SPAN NO. 1)
(17 Required for SNO16-2820
5 Required for SNO16-2821)



BEARING ASSEMBLY
(SPAN NO. 1)

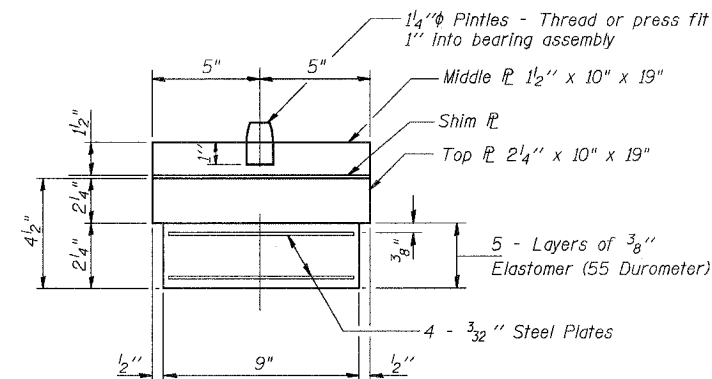
Note: Shim plates shall not be placed under Bearing Assembly.



PINTLE
(SPAN NO's. 1 & 2)

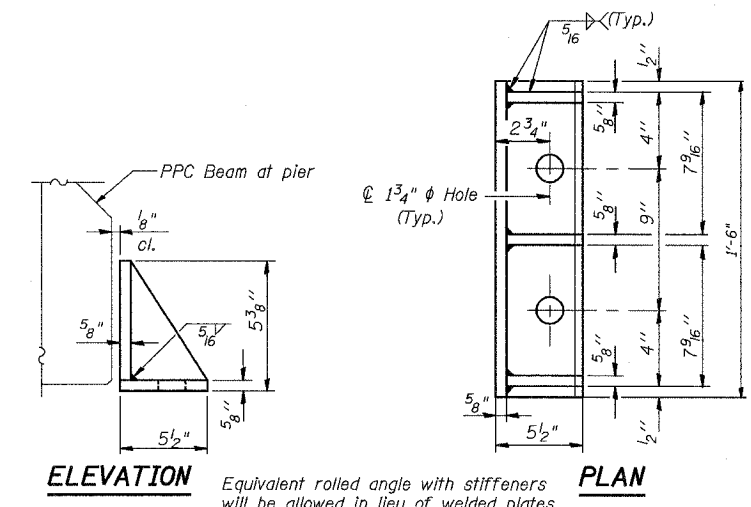
TYPE I ELASTOMERIC EXP. BRG.

(SPAN NO. 2)
(17 Required for SNO16-2820
5 Required for SNO16-2821)



BEARING ASSEMBLY
(SPAN NO. 2)

Note: Shim plates shall not be placed under Bearing Assembly.



SIDE RETAINER DETAIL AT PIER

(Fascia beams only)

(2 Required for SNO16-2820
2 Required for SNO16-2821)

BILL OF MATERIAL

Item	Unit	Total
Elastomeric Bearing Assembly, Type I	Each	44
Anchor Bolts, 1"	Each	96

Notes:

- After beams have been erected holes at expansion bearings shall be drilled and anchor bolts grouted in place.
- See Sheet 47 for anchor bolt installation.
- Anchor bolts and side retainers shall be installed prior to forming and pouring the deck slab.
- The cost of side retainers is included in the cost of "Concrete Structures".
- The side retainer shall be galvanized after shop fabrication according to AASHTO M 111 and ASTM 385.

3/13/2008 2:52:39 PM

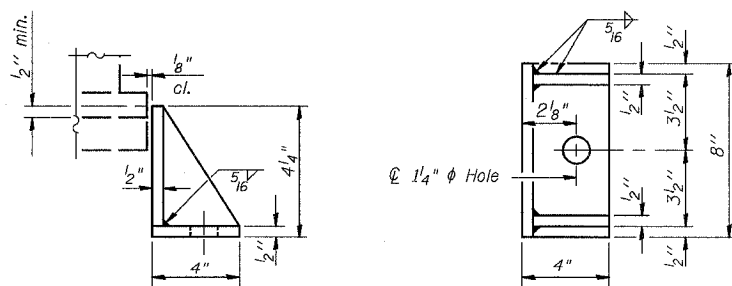
s:\17049\069\structures\2820-w-hw\dwg\ref\final\plans\22-bearing\adon

DESIGNED	EV
CHECKED	NPP
DRAWN	EV
CHECKED	NPP

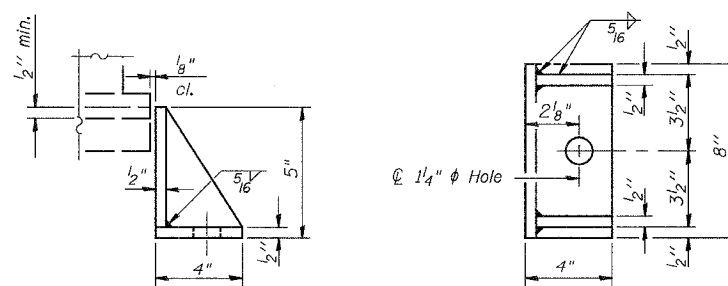
PI-2E-1

SIDE RETAINER

(SPAN NO. 1)
(34 Required for SNO16-2820
10 Required for SNO16-2821)



Equivalent rolled angle with stiffeners will be allowed in lieu of welded plates.



Equivalent rolled angle with stiffeners will be allowed in lieu of welded plates.

SIDE RETAINER

(SPAN NO. 2)
(34 Required for SNO16-2820
10 Required for SNO16-2821)

URS
100 South Wacker Drive,
Suite 500
Chicago, IL 60606
(312) 939-1000

REVISIONS	
NAME	DATE

ILLINOIS DEPARTMENT OF TRANSPORTATION
US RTE 6 FROM I-294 TO IL RTE 1
BEARING DETAILS

STRUCTURES FOR CN INTERMODAL
YARD VEHICLES OVER U.S. RTE. 6 (159TH STREET)
STATION 95+02.14 STRUCTURE NOS. 016-2820
& 016-2821
SCALE: DATE: 2/21/2008