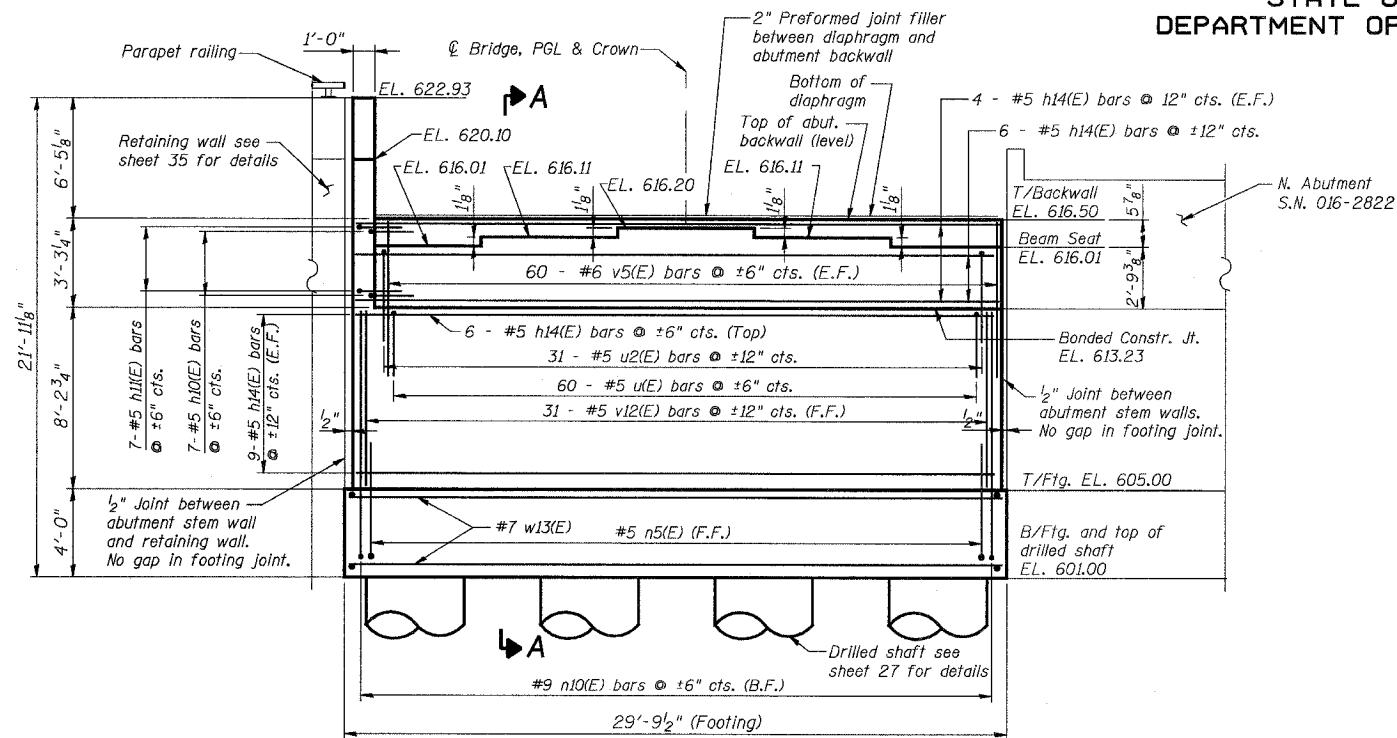


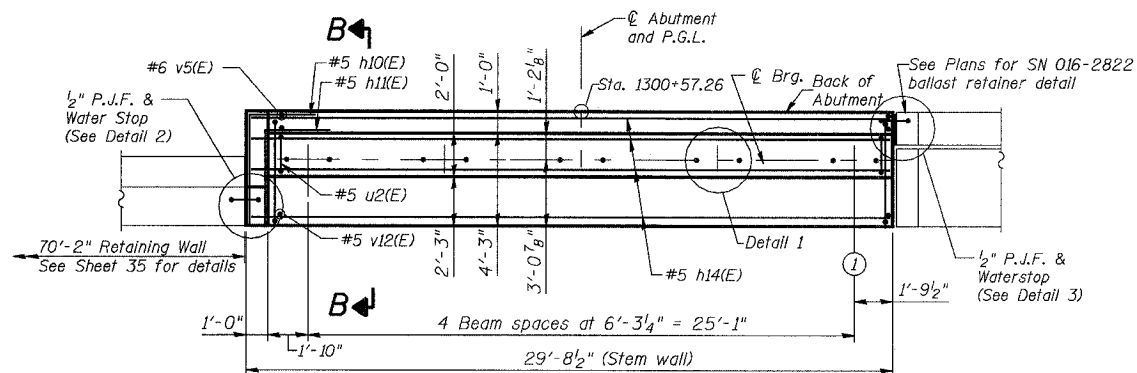
STATE OF ILLINOIS
DEPARTMENT OF TRANSPORTATION

ROUTE NO.	SECTION	COUNTY	TOTAL SHEETS	SHEET NO.
F.A.P. 351	2008-001VB	COOK	579	436
FED. ROAD DIST. NO. 7		ILLINOIS	FED. AID PROJECT-	
CONTRACT NO. 60E10				

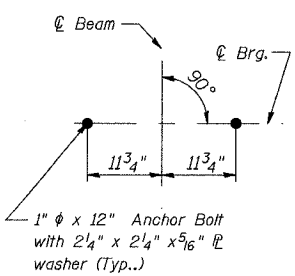
SHEET NO. 26
54 SHEETS



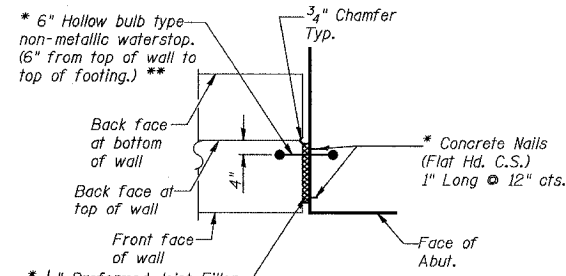
ELEVATION
(LOOKING NORTH)
SCALE: 1/4"=1'-0"



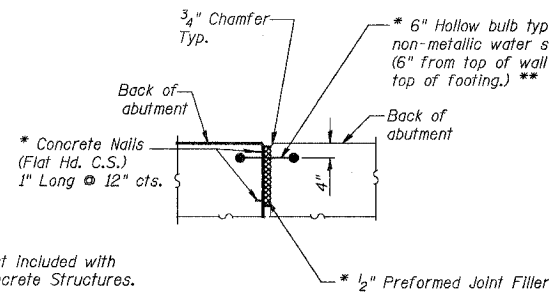
PLAN
SCALE: 1/4"=1'-0"



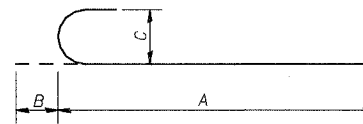
DETAIL 1



DETAIL 2

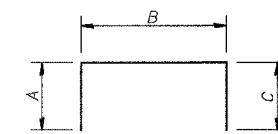


DETAIL 3



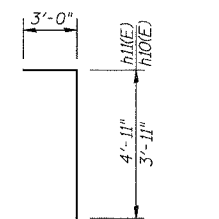
BARS n5(E), n11(E) & n10(E)

Bar	A	B	C
n5(E)	4'-6"	7"	5"
n11(E)	26'-6"	1'-5"	1'-1 1/4"
n10(E)	11'-3"	1'-3"	11 3/4"

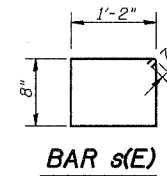


BARS u(E) through u3(E)

Bar	A	B	C
u(E)	2'-0"	4'-8"	2'-0"
u2(E)	5'-9"	1'-8"	5'-9"
u3(E)	4'-6"	1'-2"	4'-6"



BARS h10(E) & h11(E)



BAR s(E)

BILL OF MATERIAL - NORTH ABUTMENT

Bar	No.	Size	Length	Shape
h10(E)	7	#5	6'-11"	U
h11(E)	7	#5	7'-11"	U
h14(E)	38	#5	29'-4"	U
h15(E)	8	#5	4'-11"	U
n5(E)	31	#5	5'-1"	U
n11(E)	160	#10	27'-11"	U
n10(E)	60	#9	12'-6"	U
r11(E)	41	#10	16'-5"	U
r12(E)	31	#6	16'-5"	U
s(E)	6	#5	4'-10"	U
u(E)	60	#5	8'-8"	U
u2(E)	31	#5	13'-2"	U
u3(E)	2	#5	10'-2"	U
v5(E)	120	#6	6'-3"	U
v11(E)	12	#6	9'-0"	U
v12(E)	31	#5	8'-0"	U
w13(E)	36	#7	29'-5"	U
sp5	8	#5	23'-2"	WWWWW
Porous Granular Embankment		Cu. Yd.	207	
Concrete Structures		Cu. Yd.	135.6	
Reinforcement Bars		Pound	3,740	
Reinforcement Bars, Epoxy Coated		Pound	31,640	
Geocomposite Wall Drain		Sq. Yd.	40	
Braced Excavation		Cu. Yd.	441	
Permanent Steel Sheet Piling		Sq. Ft.	460	
Non-Special Waste Disposal		Cu. Yd.	535.0	
Drilled Shaft in Soil		Cu. Yd.	95	
Drilled Shaft in Rock		Cu. Yd.	12	

NOTES:

1. Reinforcement bars designated (E) shall be epoxy coated.
2. Work this sheet with Sheets 27 & 28.
3. Cast steps monolithically with cap.
4. Space reinforcement to miss anchor bolts.
5. See Sheet 28 for Section A-A, Section B-B.
6. See Sheet 1 for limits of Braced Excavation.
7. See Sheet 24 of U.S. 6 Mainline Retaining Walls Along 159th Street plans for Pipe Underdrain Layout and Quantities.
8. See Sheet 45 for details of Porous Granular Embankment and Pipe Underdrain for Structures 6".

REVISIONS	
NAME	DATE

ILLINOIS DEPARTMENT OF TRANSPORTATION
US RTE 6 FROM I-294 TO IL RTE 1
NORTH ABUTMENT
SN 016-2821
STRUCTURES FOR CN INTERMODAL
YARD VEHICLES OVER U.S. RTE. 6 (159TH STREET)
STATION 95+02.14 STRUCTURE NOS. 016-2820 & 016-2821
SCALE: DATE: 2/21/2008

URS
100 South Wacker Drive,
Suite 500
Chicago, IL 60606
(312) 939-1000

3/13/2008 2:52:41 PM at:\17049\669\structures\2820_w_hku\dwg\refinal\plans\26-n.abut_2821.dwg

DESIGNED	EV
CHECKED	NPP
DRAWN	EV
CHECKED	NPP