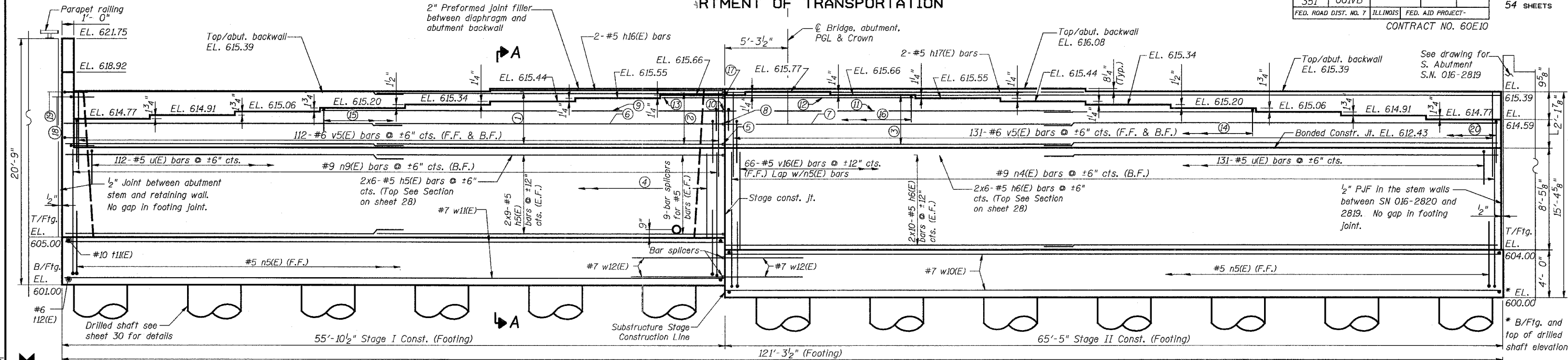


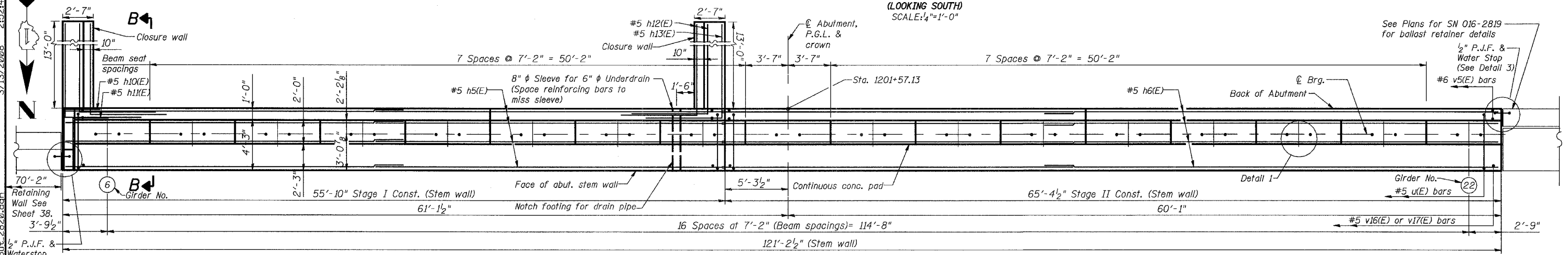
STATE OF ILLINOIS
DEPARTMENT OF TRANSPORTATION

ROUTE NO.	SECTION	COUNTY	TOTAL SHEETS	SHEET NO.
F.A.P. 351	2008-001VB	COOK	579	439
FED. ROAD DIST. NO. 7		ILLINOIS	FED. AID PROJECT-	
CONTRACT NO. 60E10				

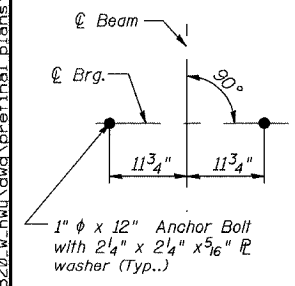
SHEET NO. 29
54 SHEETS



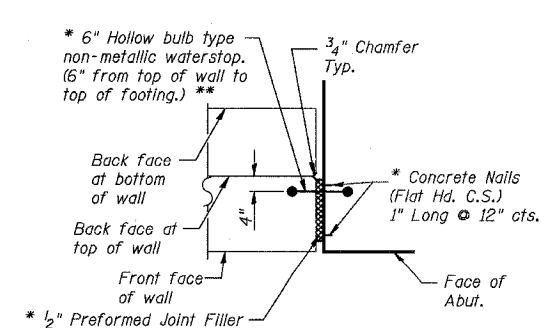
ELEVATION
(LOOKING SOUTH)
SCALE: 1/4"=1'-0"



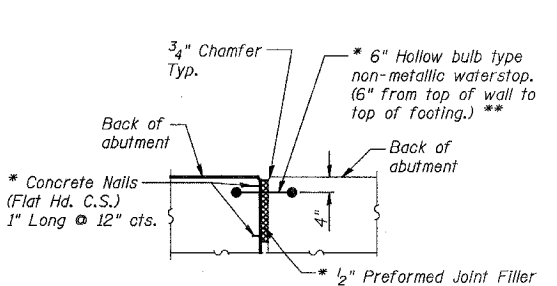
PLAN
SCALE: 1/4"=1'-0"



DETAIL 1
SCALE: N.T.S.



DETAIL 2
SCALE: N.T.S.



DETAIL 3
SCALE: N.T.S.

- ① 4x2-#5 h5(E) bars @ 12" cts. (E.F.)
- ② 5-Bar splicers for #5 bars (E.F.)
- ③ 4x2-#5 h6(E) bars @ 12" cts. (E.F.)
- ④ 57-#5 v17(E) bars @ 12" cts. (F.F.)
Lap with n5(E) bars
- ⑤ 6-Bar splicers for #5 bars
- ⑥ 6x2-#5 h5(E) bars @ 12" cts.
- ⑦ 6x2-#5 h6(E) bars @ 12" cts.
- ⑧ 4-Bar splicers for #5 bars
- ⑨ 4-#5 h6(E) bars @ 8" cts.
- ⑩ 4-Bar splicers for #5 bars
- ⑪ 4x2-#5 h7(E) bars @ 8" cts.
- ⑫ 4-#5 h8(E) bars @ 8" cts.
- ⑬ 4-#5 h9(E) bars @ 8" cts.
- ⑭ 45-#5 u(E) bars @ 12" cts.
- ⑮ 35-#5 u(E) bars @ 12" cts.
- ⑯ 22-#5 u(E) bars @ 12" cts.
- ⑰ 4-Bar splicers for #5 bars
- ⑱ 11-#5 h10(E) bars @ 6" cts.
- ⑲ 11-#5 h11(E) bars @ 6" cts.
- ⑳ 122-#5 u2(E) bars @ 12" cts.

- NOTES:**
1. Reinforcement bars designated (E) shall be epoxy coated.
 2. Work this sheet with sheets 30 through 34.
 3. See Sheet 34 for Section A-A, Section B-B.
 4. Cast steps monolithically with cap.
 5. Space reinforcement in seat to miss anchor bolts.
 6. See sheet 31 for Bill of Materials.
 7. Cost of pipe sleeve is included with Concrete Structures.
 8. Min. lap length for #5 bar is 2'-2" and for #7 bar is 3'-10"
 9. Bars indicated 4x2-#5 etc. indicates 4 lines of bars with 2 lengths per line.
 10. See Sheet 24 of U.S. 6 Mainline Retaining Walls Along 159th Street plans for Pipe Underdrain Layout and Quantities.

DESIGNED	EV
CHECKED	NPP
DRAWN	EV
CHECKED	NPP

* Cost included with Concrete Structures.
** Contractor to provide protective cover for Water Seal subject to the approval of the Engineer.

URS
100 South Wacker Drive,
Suite 500
Chicago, IL 60606
(312) 939-1000

REVISIONS	
NAME	DATE

ILLINOIS DEPARTMENT OF TRANSPORTATION
US RTE 6 FROM I-294 TO IL RTE 1
SOUTH ABUTMENT
SN 016-2820
STRUCTURES FOR CN INTERMODAL
YARD VEHICLES OVER U.S. RTE. 6 (159TH STREET)
STATION 95+02.14 STRUCTURE NOS. 016-2820
& 016-2821
SCALE: AS NOTED DATE: 2/21/2008

3/13/2008 2:52:43 PM G:\17049\069\structures\2820_w_hull\dwg\pref\ina1.plans\29-s-abut-2820.dwg